

PLEASE CHECK WWW.MOLEX.COM FOR LATEST PART INFORMATION

Part Number: **0480252090**
Status: **Active**
Overview: magnetic modular jacks
Description: Modular Jack, Right Angle, 10/100, with Integrated Magnetic and LED, 8/8, without Ground Shield, Lead free

Documents:

[3D Model](#) [Product Specification PS-48025-005 \(PDF\)](#)
[Drawing \(PDF\)](#) [RoHS Certificate of Compliance \(PDF\)](#)

Agency Certification

CSA LR19980
 UL E107635

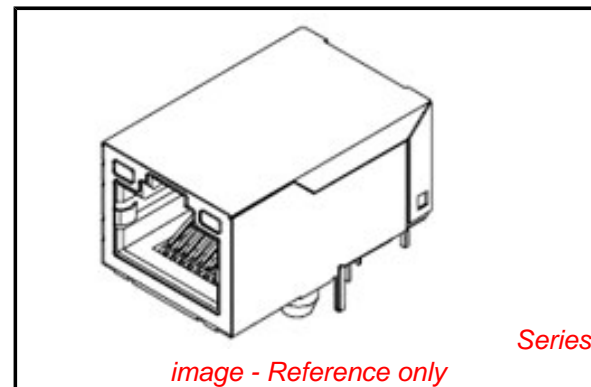
General

Product Family Modular Jacks/Plugs
 Series 48025
 Comments With LED|Without Ground Shield
 Component Type PCB Jack
 Magnetic Yes
 Overview magnetic modular jacks
 Performance Category 5
 Power over Ethernet (PoE) Non-PoE
 Product Name Magnetic Jack

Physical

Boot Color N/A
 Color - Resin Black
 Durability (mating cycles max) 750
 Flammability 94V-0
 Inverted / Top Latch Yes
 Keying to Mating Part Yes
 Lightpipes/LEDs LEDs
 Material - Metal Phosphor Bronze
 Material - Plating Mating Gold
 Material - Plating Termination Tin
 Material - Resin Nylon
 Orientation Right Angle (Side Entry)
 PCB Locator Yes
 PCB Retention Yes
 PCB Thickness Recommended (in) 0.063 In
 PCB Thickness Recommended (mm) 1.60 mm
 Packaging Type Tray
 Pitch - Mating Interface (in) 0.050 In
 Pitch - Mating Interface (mm) 1.27 mm
 Pitch - Term. Interface (in) 0.050 In
 Pitch - Term. Interface (mm) 1.27 mm
 Ports 1
 Positions / Loaded Contacts 8/8
 Surface Mount Compatible (SMC) No
 Temperature Range - Operating -40°C to +70°C
 Termination Interface: Style Through Hole
 Waterproof / Dustproof No
 Wire/Cable Type N/A

Electrical



EU RoHS

ELV and RoHS Compliant
REACH SVHC
 Not Reviewed
Halogen-Free Status
 Not Reviewed

China RoHS



Need more information on product environmental compliance?

Email productcompliance@molex.com
 For a multiple part number RoHS Certificate of Compliance, [click here](#)

Please visit the [Contact Us](#) section for any non-product compliance questions.

Search Parts in this Series

48025Series

Mates With

FCC 68 Plugs

Current - Maximum per Contact	1.5A
Grounding to PCB	Yes
Grounding to Panel	No Panel Ground Tabs
Shielded	Yes
Voltage - Maximum	150V AC (RMS)

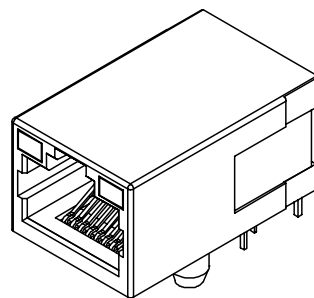
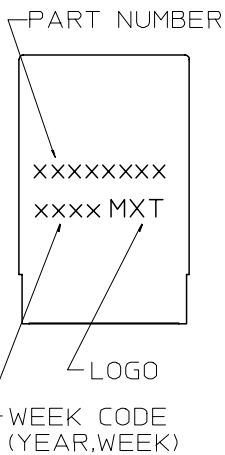
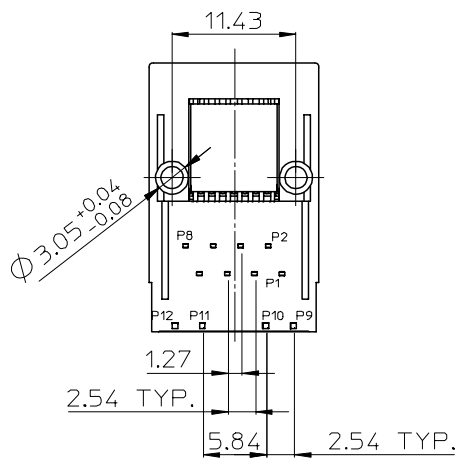
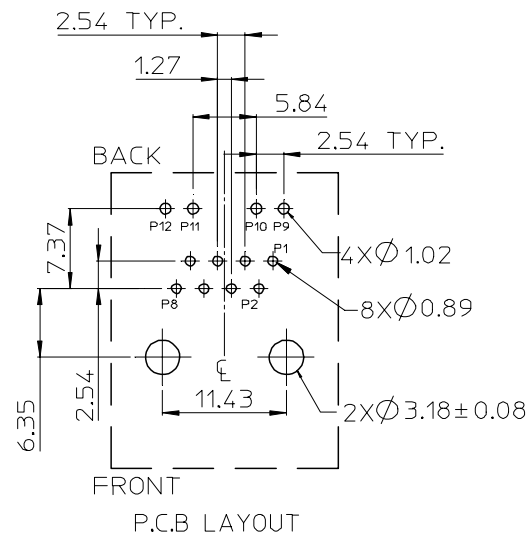
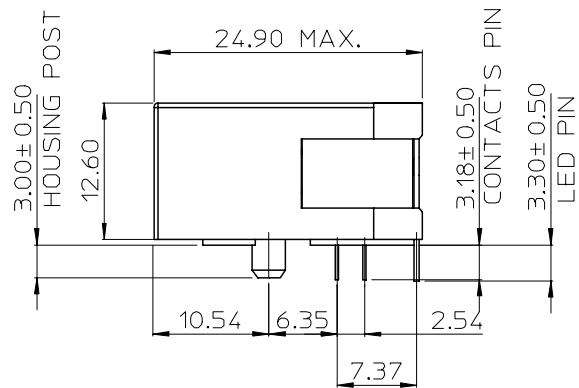
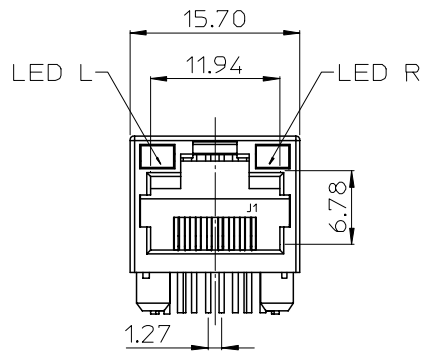
Material Info

Reference - Drawing Numbers

Packaging Specification	PK-48025-001
Product Specification	PS-48025-005
Sales Drawing	SD-48025-010
Test Summary	TS-48025-010

This document was generated on 05/26/2010

PLEASE CHECK WWW.MOLEX.COM FOR LATEST PART INFORMATION



NOTES:

1.MATERIAL:

HOUSING: POLYAMIDE, GLASS FIBER FILLED, UL94-0,COLOR BLACK
 INSERT: POLYAMIDE, GLASS FIBER FILLED, UL94-0,COLOR BLACK
 TERMINAL: PHOSPHOR BRONZE

2.PLATING:

TERMINAL:
 CONTACT AREA: GOLD(Au),THICKNESS=50 MICROINCH/1.27 MICROMETER
 SOLDER TAIL: TIN(Sn),THICKNESS=100 MICROINCH MINIMUM
 UNDER PLATE: NICKEL (Ni).

3.RECOMMENDED PCB THICKNESS: 1,60±0,05

4.PRODUCT SPECIFICATION REFER TO PS-48025-005

5.TEST SUMMARY REFER TO TS-48025-010

6.PACKAGING SPECIFICATION REFER TO PK-48025-001

7.LEAD FREE AND RoHS COMPLIANT PRODUCT.

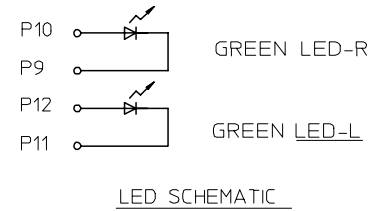
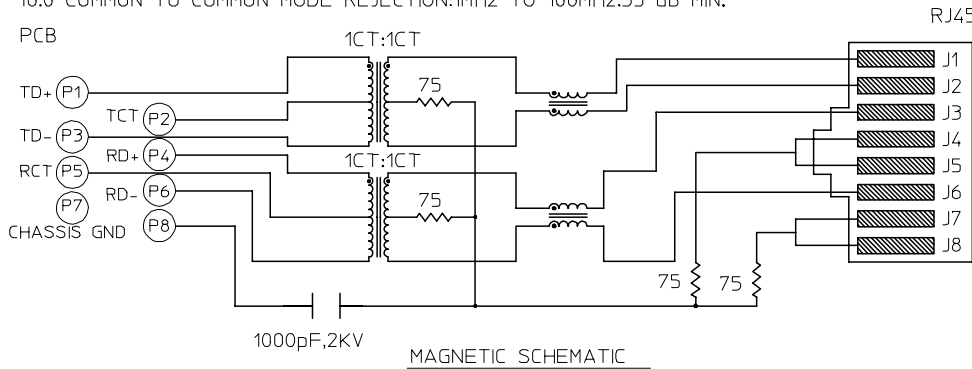
RoHS FOR 48025-2000 EC NO: SH2007-0129 DRWN:ALLIN CHKD: APPR:WMSCHANG	2006/10/04 2006/10/04 2006/10/04	DESCRIPTION REV	QUALITY SYMBOLS	GENERAL TOLERANCES (UNLESS SPECIFIED)	DIMENSION STYLE	SCALE	DESIGN UNITS	THIRD ANGLE PROJECTION																					
			$\nabla=0$ $\triangle=0$	<table border="1"> <thead> <tr> <th></th> <th>mm</th> <th>INCH</th> </tr> </thead> <tbody> <tr> <td>4 PLACES</td> <td>±---</td> <td>±---</td> </tr> <tr> <td>3 PLACES</td> <td>±---</td> <td>±---</td> </tr> <tr> <td>2 PLACES</td> <td>±0.25</td> <td>±---</td> </tr> <tr> <td>1 PLACE</td> <td>±0.25</td> <td>±---</td> </tr> </tbody> </table>		mm	INCH	4 PLACES	±---	±---	3 PLACES	±---	±---	2 PLACES	±0.25	±---	1 PLACE	±0.25	±---	MM ONLY	METRIC	<input checked="" type="checkbox"/> THIRD ANGLE PROJECTION <input type="checkbox"/> FIRST ANGLE PROJECTION							
				mm	INCH																								
			4 PLACES	±---	±---																								
3 PLACES	±---	±---																											
2 PLACES	±0.25	±---																											
1 PLACE	±0.25	±---																											
DRAFT WHERE APPLICABLE MUST REMAIN WITHIN DIMENSIONS	<table border="1"> <thead> <tr> <th>SIZE</th> <th>DRAWN BY</th> <th>DATE</th> <th>TITLE</th> </tr> </thead> <tbody> <tr> <td>A3</td> <td>LINDA</td> <td>2006/08/08</td> <td rowspan="3">MODULAR JACK WITH LED, INTEGRATED MAGNETICS WITHOUT GROUND SHIELD</td> </tr> <tr> <td></td> <td>CHECKED BY</td> <td>DATE</td> </tr> <tr> <td></td> <td>ALLEN LIN</td> <td>2006/08/10</td> </tr> <tr> <td></td> <td>APPROVED BY</td> <td>DATE</td> <td rowspan="2">MOLEX INCORPORATED</td> </tr> <tr> <td></td> <td>ERICK LAN</td> <td>2006/08/10</td> </tr> </tbody> </table>	SIZE	DRAWN BY	DATE	TITLE	A3	LINDA	2006/08/08	MODULAR JACK WITH LED, INTEGRATED MAGNETICS WITHOUT GROUND SHIELD		CHECKED BY	DATE		ALLEN LIN	2006/08/10		APPROVED BY	DATE	MOLEX INCORPORATED		ERICK LAN	2006/08/10	<table border="1"> <thead> <tr> <th>MATERIAL NO.</th> <th>DOCUMENT NO.</th> <th>SHEET NO.</th> </tr> </thead> <tbody> <tr> <td>48025-2090</td> <td>SD-48025-010</td> <td>1 OF 2</td> </tr> </tbody> </table>	MATERIAL NO.	DOCUMENT NO.	SHEET NO.	48025-2090	SD-48025-010	1 OF 2
SIZE	DRAWN BY	DATE	TITLE																										
A3	LINDA	2006/08/08	MODULAR JACK WITH LED, INTEGRATED MAGNETICS WITHOUT GROUND SHIELD																										
	CHECKED BY	DATE																											
	ALLEN LIN	2006/08/10																											
	APPROVED BY	DATE	MOLEX INCORPORATED																										
	ERICK LAN	2006/08/10																											
MATERIAL NO.	DOCUMENT NO.	SHEET NO.																											
48025-2090	SD-48025-010	1 OF 2																											
				THIS DRAWING CONTAINS INFORMATION THAT IS PROPRIETARY TO MOLEX INCORPORATED AND SHOULD NOT BE USED WITHOUT WRITTEN PERMISSION																									

MAGNETIC ELECTRICAL SPECIFICATIONS:

- 1.0 TURNS RATIO:(P4-P5-P6):(J3-J6):1CT:1CT
(P3-P2-P1):(J1-J2):1CT:1CT
 - 2.0 INDUCTANCE:(P4-P6):350uH MIN. @0.1V,100KHz,8mA DC Bias.
(P3-P1):350uH MIN. @0.1V,100KHz,8mA DC Bias.
 - 3.0 LEAKAGE INDUCTANCE:P6-P5-P4(WITH J6 AND J3 SHORT):0.3 MAX.@1MHZ.
P3-P2-P1(WITH J2 AND J1 SHORT):0.3 MAX.@1MHZ.
 - 4.0 INTERWINDING CAPACITANCE:(P6,P5,P4) TO (J6,J3):30pf MAX @1MHZ.
(P3,P2,P1) TO (J2,J1):30pf MAX @1MHZ.
 - 5.0 DC RESISTANCE:(J6-J3)=(J2-J1):1.3 ohms Max.
 - 6.0 RETURN LOSS:(P4-P6)(P1-P3)
1MHz TO 30MHz:18dB min.
30MHz TO 80MHz:12dB min.
- NOTE:100 OHMS CONNECTED TO (J2-J1) OR (J3-J6).
- 7.0 HI-POT:(J1,J2) TO (P1,P3):1500 VAC OR 2250 VDC.
(J3,J6) TO (P4,P6):1500 VAC OR 2250 VDC.
 - 8.0 INSERTION LOSS:1.1 dB MAX.
100KHz TO 100MHz.
 - 9.0 CROSS TALK:1-100 MHz:30 dB MIN.
 - 10.0 COMMON TO COMMON MODE REJECTION:1MHz TO 100MHz:35 dB MIN.

LED ELECTRICAL SPECIFICATION

PARAMETER	GREEN (TYP.)	UNITS	TEST CONDITIONS
POWER DISSIPATION	105	mW	
REVERSE VOLTAGE	5	V	
PEAK WAVELENGTH	565	nm	I _F =20mA
FORWARD VOLTAGE	2.2	MAX.=2.5	V I _F =20mA



SEE SHEET 1 EC NO: SH2007-0129 DRAWN: ALLIN 2006/10/04 CHKD: 2006/10/04 APPR: WMSCHANG 2006/10/04 DESCRIPTION REV	QUALITY SYMBOLS	GENERAL TOLERANCES (UNLESS SPECIFIED)		DIMENSION STYLE MM ONLY		SCALE 1:1	DESIGN UNITS METRIC	THIRD ANGLE PROJECTION	
		mm	INCH	DRAWN BY LINDA	DATE 2006/08/08	TITLE MODULAR JACK WITH LED, INTEGRATED MAGNETICS WITHOUT GROUND SHIELD MOLEX INCORPORATED			
	4 PLACES ± --- ± --- 3 PLACES ± --- ± --- 2 PLACES ± 0.25 ± --- 1 PLACE ± 0.25 ± ---			CHECKED BY ALLEN LIN	DATE 2006/08/10				
		ANGULAR ± 3 °		APPROVED BY ERICK LAN	DATE 2006/08/10	MATERIAL NO. 48025-2090		DOCUMENT NO. SD-48025-010	SHEET NO. 2 OF 2
DRAFT WHERE APPLICABLE MUST REMAIN WITHIN DIMENSIONS			SIZE A3		THIS DRAWING CONTAINS INFORMATION THAT IS PROPRIETARY TO MOLEX INCORPORATED AND SHOULD NOT BE USED WITHOUT WRITTEN PERMISSION				