

PLEASE CHECK WWW.MOLEX.COM FOR LATEST PART INFORMATION

Part Number: **0480371000**

Status: **Active**

Description: Universal Serial Bus (USB) Shielded I/O Plug, Type A, Right Angle, Surface Mount, 0.76µm (30µ") Gold (Au) Plating, PCB Thickness 1.20mm (.047") to 1.60mm (.063"), Tray Package, Lead Free

Documents:

[3D Model](#)

[Product Specification PS-48037-001 \(PDF\)](#)

[Drawing \(PDF\)](#)

[RoHS Certificate of Compliance \(PDF\)](#)

General

Product Family	I/O Connectors
Series	48037
Application	Wire-to-Board
Component Type	Plug
MolexKits	Yes
Product Name	USB
Type	A

Physical

Boot Color	N/A
Circuits (Loaded)	4
Circuits (maximum)	4
Gender	Plug
Keying to Mating Part	Yes
Lock to Mating Part	Yes
Material - Plating Mating	Gold
Material - Plating Termination	Tin
Number of Rows	1
Orientation	Right Angle
PCB Locator	Yes
PCB Retention	Yes
PCB Thickness Recommended (in)	0.045 In, 0.062 In
PCB Thickness Recommended (mm)	1.20 mm, 1.60 mm
Packaging Type	Tray
Panel Mount	Yes
Pitch - Mating Interface (in)	0.078 In, 0.098 In
Pitch - Mating Interface (mm)	2.00 mm, 2.50 mm
Pitch - Term. Interface (in)	0.078 In, 0.098 In
Pitch - Term. Interface (mm)	2.00 mm, 2.50 mm
Plating min: Mating (µin)	30
Plating min: Mating (µm)	0.76
Polarized to Mating Part	Yes
Polarized to PCB	Yes
Ports	1
Surface Mount Compatible (SMC)	Yes
Temperature Range - Operating	-20°C to +85°C
Termination Interface: Style	Surface Mount
Waterproof / Dustproof	No

Electrical

Current - Maximum per Contact	1.5A
Shield Type	Full Shield
Shielded	Yes
Voltage - Maximum	150V AC (RMS)

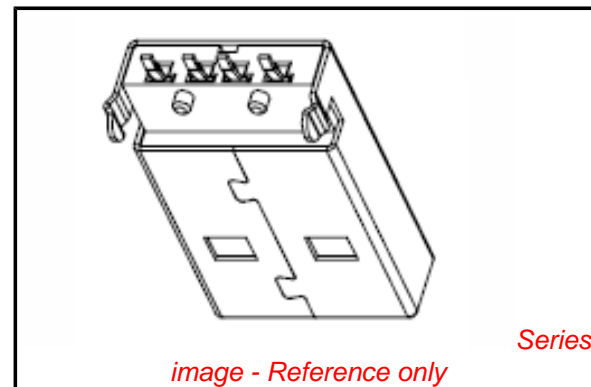


image - Reference only

EU RoHS

ELV and RoHS Compliant

REACH SVHC

Not Reviewed

Halogen-Free

Status

Not Reviewed

China RoHS



Need more information on product environmental compliance?

Email productcompliance@molex.com
For a multiple part number RoHS Certificate of Compliance, [click here](#)

Please visit the [Contact Us](#) section for any non-product compliance questions.

Search Parts in this Series

48037Series

Mates With

USB Type A Receptacle

Material Info

Reference - Drawing Numbers

Packaging Specification	PK-48037-001
Product Specification	PS-48037-001
Sales Drawing	SD-48037-002
Test Summary	TS-48037-001

This document was generated on 06/07/2010

PLEASE CHECK WWW.MOLEX.COM FOR LATEST PART INFORMATION

8 7 6 5 4 3 2 1

ENG. NO.:

EDP NO.:

SIMILAR ITEM

CADFILE NO.:

DO NOT SCALE DRAWING

F

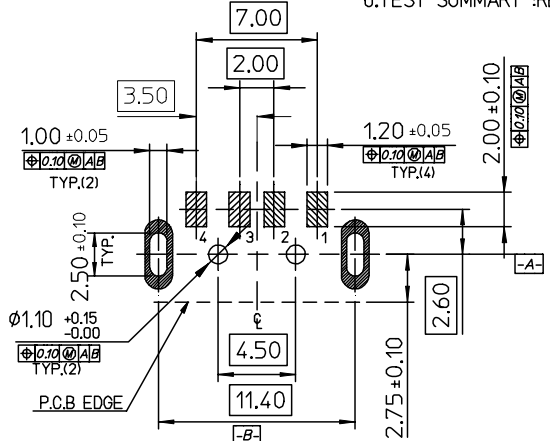
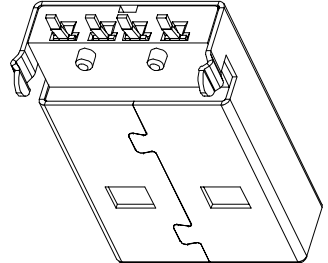
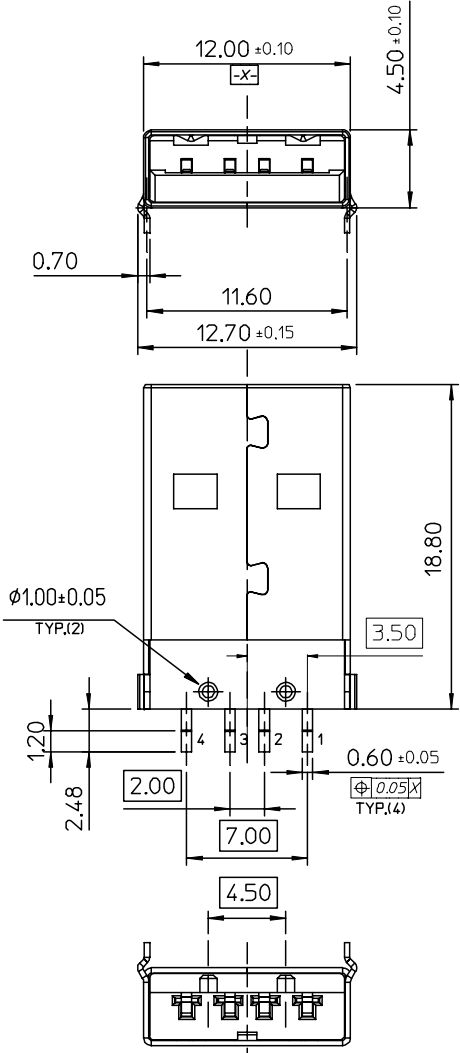
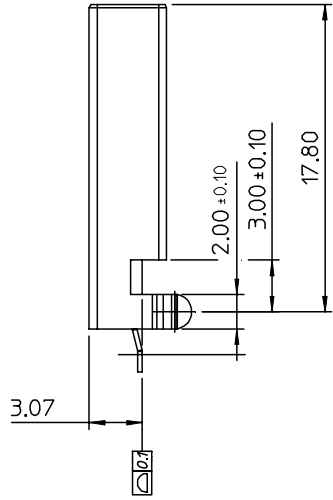
E

D

C

B

A



RECOMMENDED PCB LAYOUT

NOTES:

- 1.MATERIAL:
SHELL: SPCC
HOUSING: THERMOPLASTIC, GLASS FIBER FILLED,
UL 94V-0 RATED.COLOR BLACK.
CONTACT: BRASS
- 2.PLATING:
TERMINAL:
CONTACT AREA:GOLD(Au)
THICKNESS=30 MICROINCH MINIMUM.
SOLDER TAIL:TIN(Sn), ALLOY,
THICKNESS=120 MICROINCH MINIMUM.
UNDER PLATED:NICKEL(Ni),THICKNESS=50 MICROINCH MINIMUM.
METAL SHELL:
NICKEL(Ni),THICKNESS=120 MICROINCH MINIMUM.
UNDER PLATE: COPPER(Cu), THICKNESS=50 MICROINCH MINIMUM.
- 3.RECOMMENDED PCB THICKNESS:1.20~1.60mm
- 4.PRODUCT SPECIFICATION:REFER TO PS-48037-001
- 5.PACKAGE SPECIFICATION:SEE TABLE
- 6.TEST SUMMARY :REFER TO TS-48037-001

48037-2000	T&R	PK-48037-200	
48037-1000	TRAY	PK-48037-001	
MOLEX P/N	PACKAGE	PACKAGE SPEC.	REMARK

THIRD ANGLE PROJECTION	DIMENSIONS:			SHT	REV
	<input type="checkbox"/> mm	<input type="checkbox"/> INCH	<input checked="" type="checkbox"/> mm	<input type="checkbox"/> ONLY	REVISE ON CAD ONLY

C	ADD NEW P/N AND UPDATE PLATING SPEC. EC NO.SH2005-0163 DRWN: KEVIN CHANG CHK: KEVIN CHANG APPR: RTM
	B
REV	DESCRIPTION

QUALITY SYMBOLS	MAJOR	MINOR
	▲	▽
	+0	-0
	CRITICAL	
	∇	
	+0	-0

GENERAL TOLERANCES: (UNLESS SPECIFIED)	SCALE	DESIGN UNITS
4 PLACES \ . \ .	mm	mm
3 PLACES \ . \ .	mm	mm
2 PLACES ±0.25 ±0.010	mm	mm
1 PLACE ±0.25 ±0.010	mm	mm
ANGULAR: ±3°		
DRAFT WHERE APPLICABLE MUST REMAIN WITHIN DIMENSIONS		

DRAWN BY & DATE COLIN DUAN 030822	CAD FILENAME S4803702.MI
CHECKED BY & DATE SAM SHIN 030822	MATERIAL NO. SEE TABLE
APPROVED BY & DATE WILSON CHANG 030822	DRAWING NO. SD-48037-002

TITLE: USB A TYPE PLUG R/A CONNECTOR(SMT)	SHEET NO. 1 OF 1
MOLEX INCORPORATED	
THIS DRAWING CONTAINS INFORMATION THAT IS PROPRIETARY TO MOLEX INCORPORATED AND SHOULD NOT BE USED WITHOUT WRITTEN PERMISSION.	
SIZE A3	