

PLEASE CHECK WWW.MOLEX.COM FOR LATEST PART INFORMATION

Part Number: [0505577412](#)
Status: **Active**
Description: Ring Tongue Terminal for 4 AWG, Closed Uninsulated Brazed Barrel, Stud Size 10 (M5), Oxygen-Free Copper, Length 33.40mm (1.315"), Clearance 13.70mm (.539")

Documents:

[Drawing \(PDF\)](#) [RoHS Certificate of Compliance \(PDF\)](#)
[Product Specification PS-50555-001 \(PDF\)](#)

Agency Certification

UL E134962

General

Product Family Ring and Spade Terminals
 Series [50557](#)
 Crimp Quality Equipment Yes
 Mil-Spec N/A
 Product Name R (Ring)
 Type Ring

Physical

Barrel Type Closed - Brazed
 Insulation None
 Material - Plating Mating Tin
 Packaging Type Bag
 Plating min: Mating (µin) 40
 Plating min: Mating (µm) 1
 Plating min: Termination (µin) 40
 Plating min: Termination (µm) 1
 Stud Size 10 (M5)
 Termination Interface: Style Crimp or Compression
 Wire Size AWG 4
 Wire Size mm² 16.78 - 26.66

Material Info

Reference - Drawing Numbers

Product Specification PS-50555-001



image - Reference only

Series

EU RoHS

ELV and RoHS Compliant

REACH SVHC

Not Reviewed

Halogen-Free

Status

Not Reviewed

China RoHS



Need more information on product environmental compliance?

Email productcompliance@molex.com
 For a multiple part number RoHS Certificate of Compliance, [click here](#)

Please visit the [Contact Us](#) section for any non-product compliance questions.

Search Parts in this Series

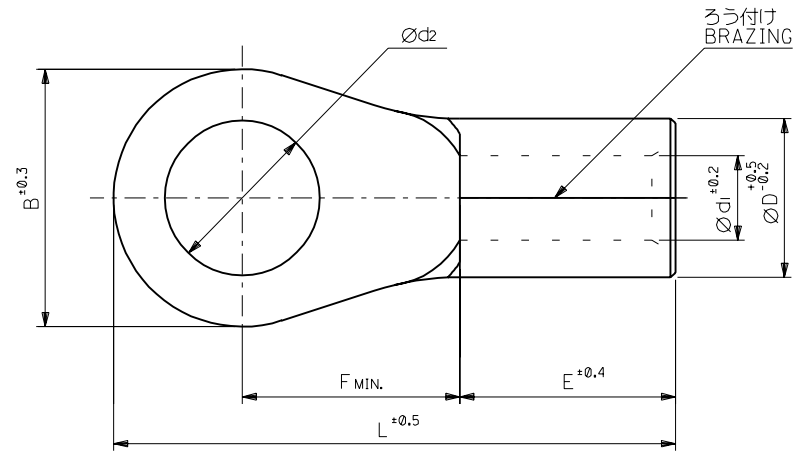
[50557Series](#)

Application Tooling | FAQ

Tooling specifications and manuals are found by selecting the products below. Crimp Height Specifications are then contained in the Application Tooling Specification document.

Japan

Description	Product #
Battery Type Hand Crimper For JIS Terminal	0573439004

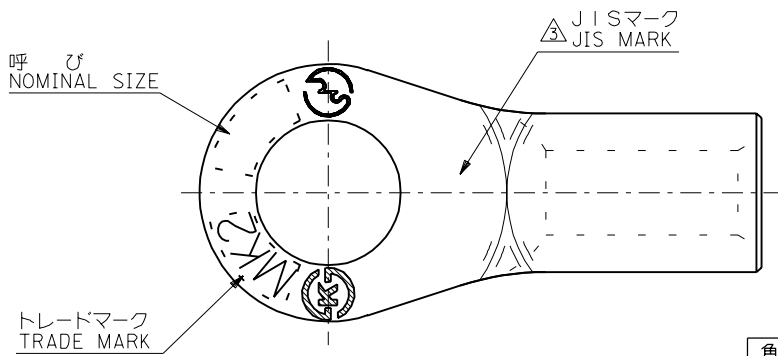
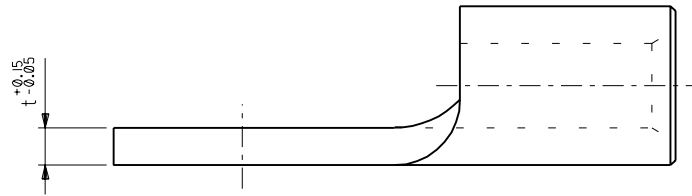


注記 NOTES

- 材質 MATERIAL
 端子：タフピッチ銅、スズメッキ
 TERMINAL: TOUGH PITCH COPPER, TIN PLATING
 ろう付け部：りん銅ろう
 PART OF BRAZING : COPPER PHOSPHORUS BRAZING FILLER METALS
- 適用電線 APPLICABLE WIRE RANGE

単線 SOLID WIRE	撚線 STRANDED WIRE
4.62~5.81 mm	16.78~26.66 mm ²

△ JIS認定品にのみ刻印。
 DIE STAMPED MARK IS ALLOWED ONLY FOR JIS FILED PRODUCTS.



		21.2±0.2											20	50557-7912
		17.2±0.2	50.4	23.9				30				16	-7812	
JIS		15.2±0.2										14	-7712	
		11.6±0.2	41.8	17.3				22				11	-7612	
	1.8	10.6±0.2										S10	-7512	
		5.4±0.1	33.4	13.1	11.5	7.7	11.4	16.5	22			5	-7412	
JIS		13.1±0.2	41.8	17.3								12	-7312	
JIS		10.6±0.2	37.1	14.6				17.5				10	-7212	
JIS		8.5±0.2		13.1								8	-7112	
JIS		6.5±0.2	33.4	10.1				16.5				6	50557-7012	
△	t	d2	L	F	E	d1	D	B	呼び NOMINAL SIZE		ENG. NO.			

角度 ANGLE		▽3°												
30以上 OVER	▽0.5	B	変更 REVISION	(JC2001-0820)	T.K	T.Y	01/04/12							
10以上 30未満 UNDER	▽0.25	A	変更 REVISION	(JCB0693)	H.J	M.F	08/03/05							
10未満 UNDER	▽0.2	0	新規作成 RELEASED	(JS0285)	H.J	S.K	05/04/18							
一般公差 GENERAL TOLERANCES		記号 LTR	変更内容 REVISION RECORD		DR. CHK.	日付 DATE								

材料 MATERIAL 注記参照 SEE NOTES
 仕上げ FINISH 注記参照 SEE NOTES
 適用電線範囲 WIRE RANGE 注記参照 SEE NOTES
 被覆外径 INS. RANGE —

DRAWN BY '95/04/18 H.HASEGAWA
 APP'D BY '01/04/12 N.HAYASHI

CHK'D BY '01/04/12 T.YAMAGUCHI
 尺度 SCALE —

molex MOLEX-JAPAN CO.,LTD.
 日本モレックス株式会社

REVISE ONLY ON CAD SYSTEM

TITLE 名称 RING TERMINAL
 (銅線用裸圧着端子)
 (NON-INSULATED CRIMP-STYLE TERMINAL FOR COPPER CONDUCTORS)

DWG. NO. SD-50557-7*12 REV B