

PLEASE CHECK WWW.MOLEX.COM FOR LATEST PART INFORMATION

Part Number: **0545960310**
Status: **Active**
Description: MINI MI2. ASSY - SN

Documents:

3D Model	Product Specification PS-54596-022 (PDF)
Drawing (PDF)	Product Specification PS-54596-023 (PDF)
Product Specification PS-54596-005 (PDF)	Product Specification PS-54769-004 (PDF)
Product Specification PS-54596-006 (PDF)	Product Specification PS-54769-005 (PDF)
Product Specification PS-54596-007 (PDF)	Product Specification PS-54769-006 (PDF)
Product Specification PS-54596-018 (PDF)	Product Specification PS-55448-001 (PDF)
Product Specification PS-54596-019 (PDF)	Product Specification PS-55482-006 (PDF)
Product Specification PS-54596-020 (PDF)	RoHS Certificate of Compliance (PDF)
Product Specification PS-54596-021 (PDF)	

General

Product Family	IDT and Solder Connectors
Series	54596
Comments	WB, WW
Crimp Quality Equipment	Yes
Product Name	Mini Mi II™

Physical

Circuits (Loaded)	3
Color - Resin	Natural
Gender	Female
Glow-Wire Compliant	No
Lock to Mating Part	None
Material - Metal	Phosphor Bronze
Material - Plating Mating	Tin
Material - Plating Termination	Tin
Material - Resin	Nylon
Number of Rows	1
Packaging Type	Bag
Panel Mount	No
Pitch - Mating Interface (in)	0.049 In
Pitch - Mating Interface (mm)	1.25 mm
Plating min: Mating (µin)	36
Plating min: Mating (µm)	0.90
Plating min: Termination (µin)	36
Plating min: Termination (µm)	0.90
Stackable	No
Temperature Range - Operating	-40°C to +105°C
Termination Interface: Style	IDT or Pierce
Wire Insulation Diameter	0.80-0.90mm (.031-.035")
Wire Size AWG	26, 28

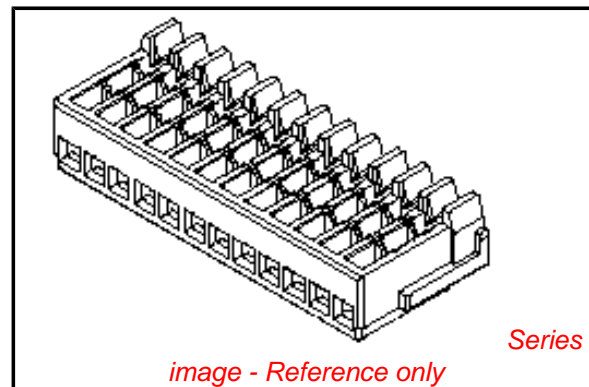
Electrical

Current - Maximum per Contact	1.5A
Voltage - Maximum	100V

Material Info

Reference - Drawing Numbers

Product Specification	PS-54596-005, PS-54596-006, PS-54596-007, PS-54596-018, PS-54596-019, PS-54596-020, PS-54596-021, PS-54596-022, PS-54596-023,
-----------------------	---



EU RoHS

ELV and RoHS Compliant
REACH SVHC
Not Reviewed
Halogen-Free Status

China RoHS



Not Reviewed

Need more information on product environmental compliance?

Email productcompliance@molex.com
For a multiple part number RoHS Certificate of Compliance, [click here](#)

Please visit the [Contact Us](#) section for any non-product compliance questions.

Search Parts in this Series

[54596Series](#)

Mates With

[55451](#) , [55447](#) , [55454](#) , [55659](#) , [55456](#) , [55482](#) , [55450](#)

Application Tooling | FAQ

Tooling specifications and manuals are found by selecting the products below. Crimp Height Specifications are then contained in the Application Tooling Specification document.

Japan

Description	Product #
IDT Bench-Top Terminator for Mini Mi II™	0578277100
Hand Crimper	0578345000
Fully-Automated IDT Machine (XELOM-PLUS)	0578008300

Sales Drawing

PS-54769-004, PS-54769-005, PS-54769-006,
PS-55448-001, PS-55482-006, RPS-54596-012,
RPS-54596-013, RPS-54596-014, RPS-54596-016,
RPS-54596-017, RPS-54596-022, RPS-54596-023,
RPS-54596-024, RPS-54596-025, RPS-54596-026,
RPS-54798-004, RPS-54894-005, RPS-54966-004,
RPS-55448-004
SD-54596-004

Fully-Automated IDT 0578008400
Machine (XELOM-
PLUS)

This document was generated on 04/16/2010

PLEASE CHECK WWW.MOLEX.COM FOR LATEST PART INFORMATION

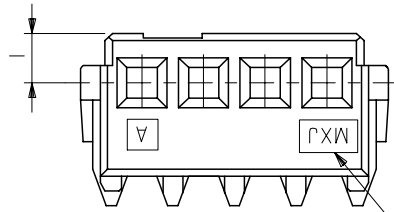
番号 NO.	名称 NAME	原料 MATERIAL	数量 QT'Y	仕上げ FINISH
①	ハウジング HOUSING	ナイロン NYLON	1	UL 94V-0
②	ターミナル TERMINAL	リン青銅 (+0.2) PHOSPHOR BRONZE(+0.2)	N	全体錫メッキ PRE-TINNED

注) NOTES

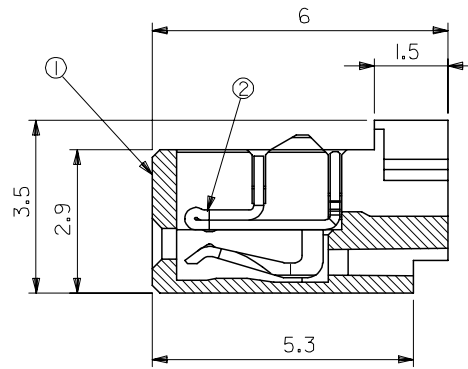
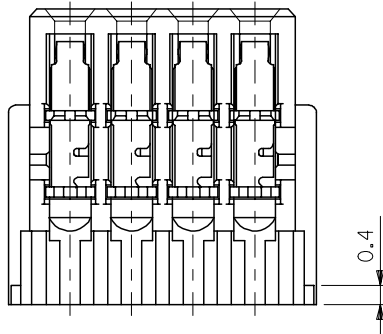
1. 原料および仕上げ : 表参照
MATERIAL AND FINISH : SEE CHART.

△ 製品番号
MATERIAL NO.
54596-***1*

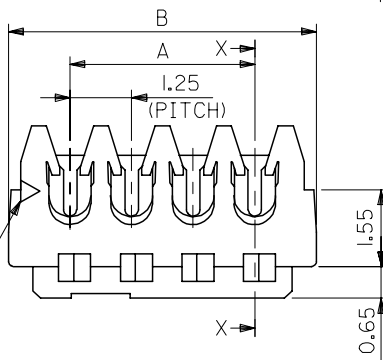
極数	CIRCUIT SIZE(02-20)	色	COLOR	NATURAL
10	10	自然色	NATURAL	
12	12	赤	RED	
13	13	黄	YELLOW	



トレードマーク
TRADE MARK



SECTION X-X



26.25	23.75	20	54596-201*
25	22.5	19	54596-191*
23.75	21.25	18	54596-181*
22.5	20	17	54596-171*
21.25	18.75	16	54596-161*
20	17.5	15	54596-151*
18.75	16.25	14	54596-141*
17.5	15	13	54596-131*
16.25	13.75	12	54596-121*
15	12.5	11	54596-111*
13.75	11.25	10	54596-101*
12.5	10	9	54596-091*
11.25	8.75	8	54596-081*
10	7.5	7	54596-071*
8.75	6.25	6	54596-061*
7.5	5	5	54596-051*
6.25	3.75	4	54596-041*
5	2.5	3	54596-031*
3.75	1.25	2	54596-021*

54596-***1*

B	A	極数 CIRCUIT SIZE	製品番号 MATERIAL NO.	MODEL NO.
GENERAL TOLERANCES (UNLESS SPECIFIED)		DIMENSION STYLE MM ONLY	SCALE 10:1	DESIGN UNITS METRIC
10 UNDER	±0.2	DRAWN BY HTAKASE	DATE '99/04/29	TITLE SMALL M12 REC. ASS'Y(SN)
10 OVER 30 UNDER	±0.25	CHECKED BY YIITO	DATE	
30 OVER	±0.3	APPROVED BY HIKESUGI	DATE	
ANGULAR	±3 °	MATERIAL NO.	DOCUMENT NO.	SHEET NO.
DRAFT WHERE APPLICABLE MUST REMAIN WITHIN DIMENSIONS		SEE CHART		SD-54596-004
THIS DRAWING CONTAINS INFORMATION THAT IS PROPRIETARY TO MOLEX INCORPORATED AND SHOULD NOT BE USED WITHOUT WRITTEN PERMISSION				

WIRE RANGE 適用電線範囲	AWG #26,#28
WIRE RANGE 被覆外径	φ0.8~φ0.9

REVISED
EC NO: J2005-2687
DRWN: HOSOKAWA 2005/03/25
CHKD: TOYODA 2005/03/25
APPR: NUKITA 2005/04/05