

PLEASE CHECK WWW.MOLEX.COM FOR LATEST PART INFORMATION

Part Number: **0685060513**
Status: **Active**
Description: 6.35mm (.250") Tab Micro Relay Socket, Female, 5 Circuits

Documents:

[3D Model](#) [Product Specification PS-68506-001 \(PDF\)](#)
[Drawing \(PDF\)](#) [RoHS Certificate of Compliance \(PDF\)](#)

General

Product Family	Other Sockets
Series	68506
Component Type	Socket
Product Name	N/A

Physical

Circuits (Loaded)	5
Circuits (maximum)	5
Color - Resin	Natural, Yellow
Durability (mating cycles max)	Contact Molex
Entry Angle	Vertical
Keying to Mating Part	N/A
Material - Resin	Polyester
PCB Locator	No
PCB Retention	N/A
Packaging Type	Bag
Pitch - Mating Interface (in)	0.236 In, 0.315 In
Pitch - Mating Interface (mm)	6.00 mm, 8.00 mm
Pitch - Term. Interface (in)	0.236 In, 0.315 In
Pitch - Term. Interface (mm)	6.00 mm, 8.00 mm
Temperature Range - Operating	-40°C to +120°C

Electrical

Current - Maximum per Contact	3A
Voltage - Maximum	N/A

Material Info

Reference - Drawing Numbers

Product Specification	PS-68506-001
Sales Drawing	SD-68506-001

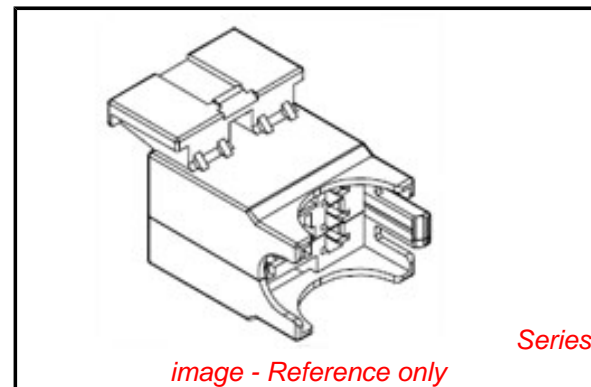


image - Reference only

EU RoHS

**ELV and RoHS
Compliant**
REACH SVHC
 Not Reviewed
**Halogen-Free
Status**

China RoHS



**Need more information on product
environmental compliance?**

Email productcompliance@molex.com
 For a multiple part number RoHS Certificate of
 Compliance, [click here](#)

Please visit the [Contact Us](#) section for any
 non-product compliance questions.

Search Parts in this Series

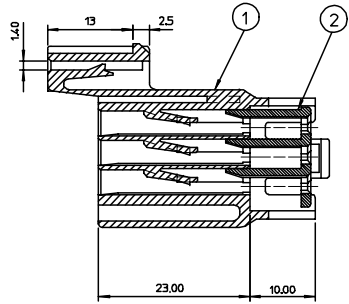
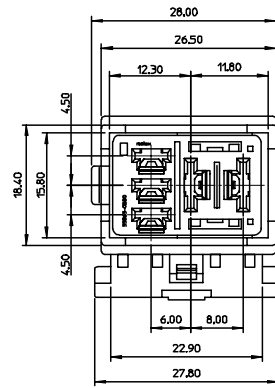
68506Series

Use With

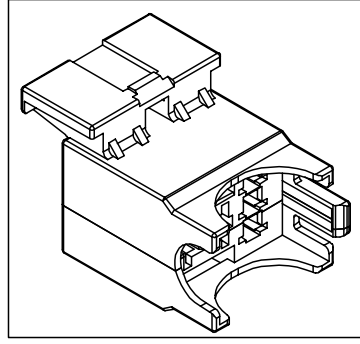
35427 6.00mm (.236") Tab Wire-to-Wire
 Terminal

DWG. NO. SD-68506-001
 PROJECT NO. SD-68506-001
 SIMILAR ITEM
 DO NOT SCALE DRAWING
 DIMENSION IN METRIC

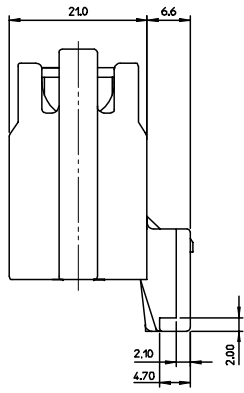
12 11 10 9 8 7 6 5 4 3 2 1



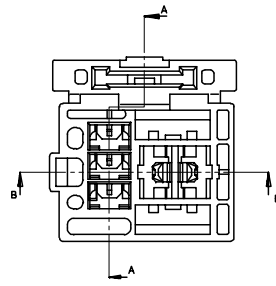
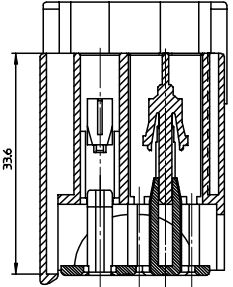
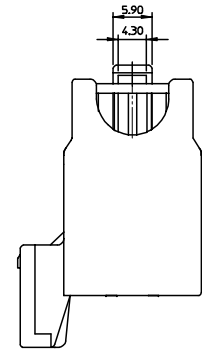
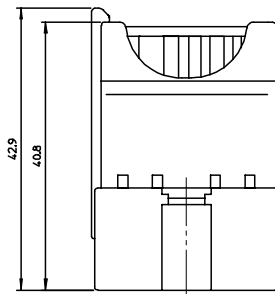
Section A-A



ISOVIEW



Section B-B



<NOTE>

1. MATERIAL & FINISH : SEE TABLE

NO.	PART NO.	PART NAME	MATERIAL	REMARK
1	68506-0591 /68506-0593	MICRO RELAY HSG-5P	POLYESTER	BLACK /YELLOW
2	35865-0580	MICRO RELAY TPA-5P	POLYESTER	WHITE

ECN NO. KOR2007-0062 DRWN. H.Y.SONG 06/12/05 CTR. B.C.YOON 06/12/05 APPR. S.H. KIM	QUALITY SYMBOLS MAJOR CRITICAL	GENERAL TOLERANCES: (UNLESS SPECIFIED)	SCALE 2:1	DESIGN UNITS <input checked="" type="checkbox"/> mm <input type="checkbox"/> INCH	THRO ANGLE PROJECTION	DIMENSIONS: <input type="checkbox"/> mm <input type="checkbox"/> INCH <input type="checkbox"/> mm <input type="checkbox"/> INCH <input type="checkbox"/> mm <input type="checkbox"/> INCH	SHT REV	
		4 PLACES ±0.1 ±- 3 PLACES ±0.2 ±- 2 PLACES ±0.3 ±- 1 PLACE ±0.4 ±- ANGULAR ± 1°	DRAWN BY & DATE S.M.KIM 02/01/18 CHECKED BY & DATE H.C.RHO 02/01/18 APPROVED BY & DATE C.W.LEE 02/01/18	TITLE MICRO RELAY SOCKET-5P ASSY	MOLEX INCORPORATED MATERIAL NO. SEE TABLE DRAWING NO. SD-68506-001	SHEET NO 1/1		
REV C	NO. 685060513 MATERIAL NO. 68506-0511 ENG. NO. 68506-0511	NO. 685060513 MATERIAL NO. 68506-0511 ENG. NO. 68506-0511	DRAFT WHERE APPLICABLE MUST REMAIN WITHIN DIMENSIONS THIS DRAWING CONTAINS INFORMATION THAT IS PROPRIETARY TO MOLEX INCORPORATED AND SHOULD NOT BE USED WITHOUT WRITTEN PERMISSION.					KOREA MX-A2

12 11 10 9 8 7 6 5 4 3 2 1