

**PLEASE CHECK WWW.MOLEX.COM FOR LATEST PART INFORMATION**

**Part Number:** [0759001262](#)  
**Status:** **Active**  
**Overview:** mx150 unshrouded breakaway header  
**Description:** 3.50mm (.138") Pitch, MX150™ Dual Row Header, Breakaway, Right Angle, 12 Circuits, 1.25µm (50µ") Nickel (Ni) Overall, 2.50µm (100µ") Minimum Select Matte Tin (Sn) Plating on Tail, 0.05µm Minimum Select Gold (Au) Contact Area, 4.75mm (.187") PC Tail Length

**Documents:**

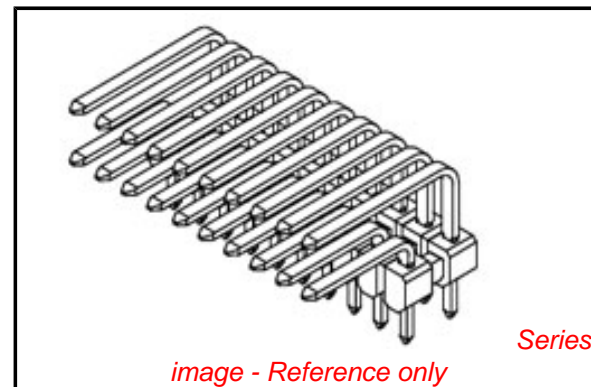
|                                                 |                                                          |
|-------------------------------------------------|----------------------------------------------------------|
| <a href="#">Application Specification (PDF)</a> | <a href="#">Packaging Specification (PDF)</a>            |
| <a href="#">3D Model</a>                        | <a href="#">Product Specification PS-75757-000 (PDF)</a> |
| <a href="#">Drawing (PDF)</a>                   | <a href="#">RoHS Certificate of Compliance (PDF)</a>     |

**General**

|                |                                                   |
|----------------|---------------------------------------------------|
| Product Family | PCB Headers                                       |
| Series         | <a href="#">75900</a>                             |
| Application    | Wire-to-Board                                     |
| Overview       | <a href="#">mx150 unshrouded breakaway header</a> |
| Product Name   | MX150™                                            |

**Physical**

|                                |                                |
|--------------------------------|--------------------------------|
| Breakaway                      | Yes                            |
| Circuits (Loaded)              | 12                             |
| Circuits (maximum)             | 12                             |
| Circuits Detail                | 12                             |
| Color - Resin                  | Black                          |
| Durability (mating cycles max) | 25                             |
| First Mate / Last Break        | No                             |
| Glow-Wire Compliant            | No                             |
| Guide to Mating Part           | No                             |
| Keying to Mating Part          | None                           |
| Lock to Mating Part            | None                           |
| Material - Metal               | Brass                          |
| Material - Plating Mating      | Gold                           |
| Material - Plating Termination | Tin                            |
| Material - Resin               | High Temperature Thermoplastic |
| Number of Rows                 | 2                              |
| Orientation                    | Right Angle                    |
| PC Tail Length (in)            | 0.190 In                       |
| PC Tail Length (mm)            | 4.75 mm                        |
| PCB Locator                    | No                             |
| PCB Retention                  | None                           |
| PCB Thickness Recommended (in) | 0.093 In                       |
| PCB Thickness Recommended (mm) | 2.36 mm                        |
| Packaging Type                 | Tube                           |
| Pitch - Mating Interface (in)  | 0.138 In                       |
| Pitch - Mating Interface (mm)  | 3.50 mm                        |
| Pitch - Term. Interface (in)   | 0.138 In                       |
| Pitch - Term. Interface (mm)   | 3.50 mm                        |
| Plating min: Mating (µin)      | 100                            |
| Plating min: Mating (µm)       | 2.50                           |
| Plating min: Termination (µin) | 50                             |
| Plating min: Termination (µm)  | 1.25                           |
| Polarized to Mating Part       | No                             |
| Polarized to PCB               | No                             |
| Shrouded                       | No                             |



*image - Reference only*

**EU RoHS**

**ELV and RoHS Compliant**  
**REACH SVHC Not Reviewed**  
**Halogen-Free Status Not Reviewed**

**China RoHS**



**Need more information on product environmental compliance?**

Email [productcompliance@molex.com](mailto:productcompliance@molex.com)  
 For a multiple part number RoHS Certificate of Compliance, [click here](#)

Please visit the [Contact Us](#) section for any non-product compliance questions.

**Search Parts in this Series**

[75900Series](#)

**Use With**

[MX150™ Receptacles Dual Row Housings 33472](#)

|                                |                 |
|--------------------------------|-----------------|
| Stackable                      | No              |
| Surface Mount Compatible (SMC) | Yes             |
| Temperature Range - Operating  | -40°C to +125°C |
| Termination Interface: Style   | Through Hole    |

**Electrical**

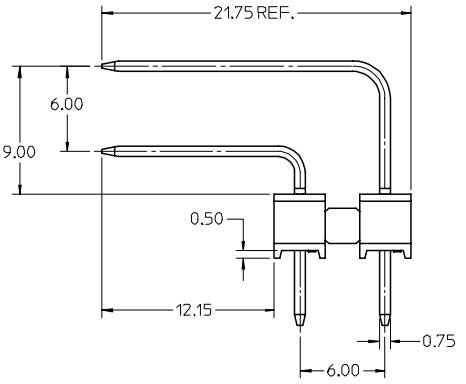
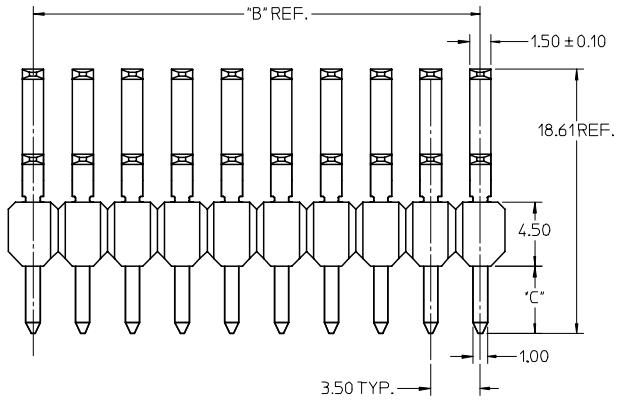
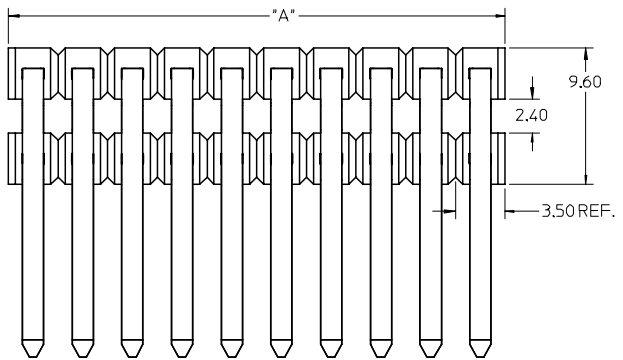
|                               |         |
|-------------------------------|---------|
| Current - Maximum per Contact | 16A     |
| Voltage - Maximum             | 500V DC |

**Material Info****Reference - Drawing Numbers**

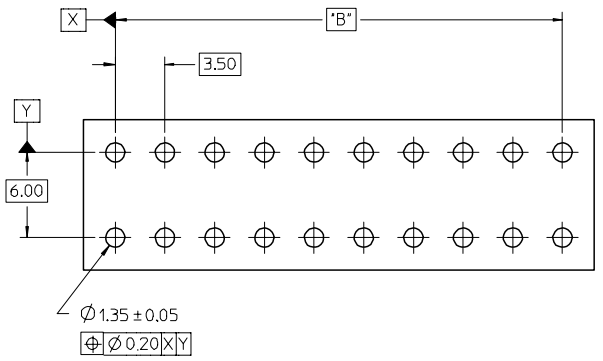
|                           |              |
|---------------------------|--------------|
| Application Specification | AS-75900-206 |
| Product Specification     | PS-75757-000 |
| Sales Drawing             | SD-75900-001 |

This document was generated on 05/31/2010

**PLEASE CHECK [WWW.MOLEX.COM](http://WWW.MOLEX.COM) FOR LATEST PART INFORMATION**



- NOTES:
1. TERMINAL MAT'L: ALLOY C26000, CARTRIDGE BRASS
  2. WAFER MAT'L: 30% GLASS FILLED LCP, 94V-0, COLOR BLACK.
  3. TERMINAL PLATING:
    - OPTION 4 - 1.5µm MIN MATTE TIN OVERALL OVER 1.25µm NICKEL OVERALL
    - OPTION 1 - 2.5µm MIN MATTE TIN OVERALL OVER 1.25µm NICKEL OVERALL
    - OPTION 2 - 1.25µm NICKEL OVERALL 2.5µm MIN SELECT MATTE TIN PC TAIL AREA 0.05-0.25µm SELECT GOLD CONTACT AREA
    - OPTION 3 - 1.25µm NICKEL OVERALL 2.5µm MIN SELECT MATTE TIN PC TAIL AREA 0.75µm SELECT GOLD CONTACT AREA
  4. HEADER ASSEMBLIES ARE TUBE PACKAGED PER PK-75900-9900.
  5. COMPLIES WITH USCAR 1.5mm TERMINAL BLADE SPECIFICATION.



RECOMMENDED PCB LAYOUT

| CKT SIZE | PLATING OPTION | MATERIAL NUMBER | *A* DIM | *B* DIM  | *C* DIM | MATERIAL NUMBER | *A* DIM | *B* DIM  | *C* DIM |
|----------|----------------|-----------------|---------|----------|---------|-----------------|---------|----------|---------|
|          |                |                 |         |          |         |                 |         |          |         |
| 2 x 2    | 1              | 75900-1121      | 7.0     | 3.50 REF |         | 75900-1122      | 7.0     | 3.50 REF |         |
|          | 2              | 75900-1221      |         |          |         | 75900-1222      |         |          |         |
|          | 3              | 75900-1321      |         |          |         | 75900-1322      |         |          |         |
|          | 4              | 75900-1421      |         |          |         | 75900-1422      |         |          |         |
| 2 x 3    | 1              | 75900-1131      | 10.5    | 7.00     |         | 75900-1132      | 10.5    | 7.00     |         |
|          | 2              | 75900-1231      |         |          |         | 75900-1232      |         |          |         |
|          | 3              | 75900-1331      |         |          |         | 75900-1332      |         |          |         |
|          | 4              | 75900-1431      |         |          |         | 75900-1432      |         |          |         |
| 2 x 4    | 1              | 75900-1141      | 14.0    | 10.50    |         | 75900-1142      | 14.0    | 10.50    |         |
|          | 2              | 75900-1241      |         |          |         | 75900-1242      |         |          |         |
|          | 3              | 75900-1341      |         |          |         | 75900-1342      |         |          |         |
|          | 4              | 75900-1441      |         |          |         | 75900-1442      |         |          |         |
| 2 x 6    | 1              | 75900-1161      | 21.0    | 17.50    | 3.05    | 75900-1162      | 21.0    | 17.50    | 4.75    |
|          | 2              | 75900-1261      |         |          |         | 75900-1262      |         |          |         |
|          | 3              | 75900-1361      |         |          |         | 75900-1362      |         |          |         |
|          | 4              | 75900-1461      |         |          |         | 75900-1462      |         |          |         |
| 2 x 8    | 1              | 75900-1181      | 28.0    | 24.50    |         | 75900-1182      | 28.0    | 24.50    |         |
|          | 2              | 75900-1281      |         |          |         | 75900-1282      |         |          |         |
|          | 3              | 75900-1381      |         |          |         | 75900-1382      |         |          |         |
|          | 4              | 75900-1481      |         |          |         | 75900-1482      |         |          |         |
| 2 x 10   | 1              | 75900-1101      | 35.0    | 31.50    |         | 75900-1102      | 35.0    | 31.50    |         |
|          | 2              | 75900-1201      |         |          |         | 75900-1202      |         |          |         |
|          | 3              | 75900-1301      |         |          |         | 75900-1302      |         |          |         |
|          | 4              | 75900-1401      |         |          |         | 75900-1402      |         |          |         |

|                                                                                                                         |                               |                                                                                                                                                                    |                                                                                                                                               |                                                                  |                                                                      |
|-------------------------------------------------------------------------------------------------------------------------|-------------------------------|--------------------------------------------------------------------------------------------------------------------------------------------------------------------|-----------------------------------------------------------------------------------------------------------------------------------------------|------------------------------------------------------------------|----------------------------------------------------------------------|
| PRELIM RELEASE<br>FCC NO: UCP2006-2758<br>DRAWN: J. SWENSON 2007/01/17<br>CHKD: 2007/01/17<br>APPR: MBANAKIS 2007/01/18 | QUALITY SYMBOLS<br>▽=0<br>▽=0 | GENERAL TOLERANCES (UNLESS SPECIFIED)<br>mm INCH<br>4 PLACES ± --- ± ---<br>3 PLACES ± --- ± ---<br>2 PLACES ± 0.13 ± ---<br>1 PLACE ± 0.25 ± ---<br>ANGULAR ±1/2° | DIMENSION STYLE<br>MM ONLY<br>DRAWN BY DATE<br>TMCCLELL 1/25/06<br>CHECKED BY DATE<br>TMCCLELL 1/25/06<br>APPROVED BY DATE<br>BANAKIS 1/25/06 | SCALE<br>4:1<br>DESIGN UNITS<br>METRIC<br>THIRD ANGLE PROJECTION | TITLE<br>MX150 RIGHT ANGLE<br>DUAL ROW BREAK-AWAY<br>HEADER ASSEMBLY |
|                                                                                                                         |                               | DRAFT WHERE APPLICABLE<br>MUST REMAIN<br>WITHIN DIMENSIONS                                                                                                         | MATERIAL NO.<br>SEE CHART<br>SIZE<br>C                                                                                                        | DOCUMENT NO.<br>SD-75900-001                                     | SHEET NO.<br>1 OF 1                                                  |