

**PLEASE CHECK WWW.MOLEX.COM FOR LATEST PART INFORMATION**

**Part Number:** [0760440002](#)  
**Status:** **Active**  
**Overview:** [sfp\\_stacked\\_multiport\\_connectors](#)  
**Description:** Small Form-factor Pluggable Plus (SFP+) Stacked 2-by-1 Multi-Port Connector with 2 Inner Lightpipe Ports, EMI Metal Gasket, 40 Circuits, Tin (Sn)/Lead (Pb) Tails

**Documents:**

[3D Model](#) [Product Specification PS-75310-001 \(PDF\)](#)  
[Drawing \(PDF\)](#) [RoHS Certificate of Compliance \(PDF\)](#)  
[Application Specification \(PDF\)](#)

**Agency Certification**

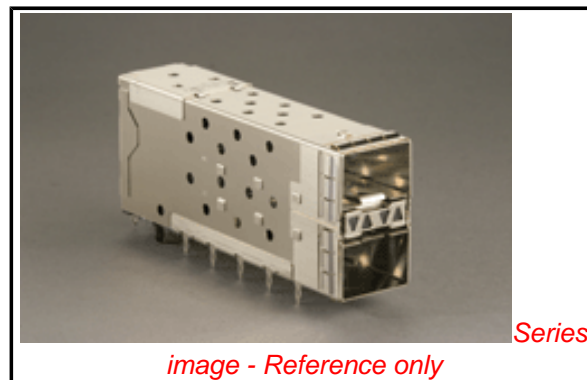
CSA LR19980  
 UL E29179

**General**

Product Family I/O Connectors  
 Series [76044](#)  
 Application Module-to-Board  
 Component Type Receptacle  
 Overview [sfp\\_stacked\\_multiport\\_connectors](#)  
 Product Name SFP Plus  
 Type N/A

**Physical**

Boot Color N/A  
 Circuits (Loaded) 40  
 Circuits (maximum) 40  
 Circuits Detail 40  
 Color - Resin Black, Clear (Blue Tint)  
 Durability (mating cycles max) 100  
 Flammability 94V-0  
 Gender Female  
 Keying to Mating Part None  
 Lock to Mating Part Yes  
 Material - Metal Brass, Phosphor Bronze  
 Material - Plating Mating Gold  
 Material - Plating Termination Tin-Lead  
 Material - Resin High Temperature Thermoplastic, Polycarbonate  
 Number of Rows 2  
 Orientation Right Angle  
 PC Tail Length (in) 0.081 In  
 PC Tail Length (mm) 2.07 mm  
 PCB Locator Yes  
 PCB Retention Yes  
 PCB Thickness Recommended (in) 0.062 In  
 PCB Thickness Recommended (mm) 1.57 mm  
 Packaging Type Tray  
 Panel Mount No  
 Pitch - Mating Interface (in) 0.031 In  
 Pitch - Mating Interface (mm) 0.80 mm  
 Pitch - Term. Interface (in) 0.031 In  
 Pitch - Term. Interface (mm) 0.80 mm  
 Plating min: Mating (µin) 30.4  
 Plating min: Mating (µm) 0.76  
 Plating min: Termination (µin) 30.4



**EU RoHS**

**RoHS Compliant by Exemption**

**REACH SVHC**

Not Reviewed

**Halogen-Free**

**Status**

**Halogen-Free**

**Need more information on product environmental compliance?**

Email [productcompliance@molex.com](mailto:productcompliance@molex.com)  
 For a multiple part number RoHS Certificate of Compliance, [click here](#)

Please visit the [Contact Us](#) section for any non-product compliance questions.

**China RoHS**



**Search Parts in this Series**

[76044Series](#)

**Use With**

[0759510999](#) SFP Dust Plug,

**Application Tooling | FAQ**

*Tooling specifications and manuals are found by selecting the products below. Crimp Height Specifications are then contained in the Application Tooling Specification document.*

**Global**

Description	Product #
SFP Insertion Tool, x 1 Medium	<a href="#">20622029910</a>
SFP Extraction Tool, 2 x 1 Medium	<a href="#">0622029930</a>

Plating min: Termination (µm)	0.76
Polarized to Mating Part	Yes
Polarized to PCB	Yes
Ports	2
Surface Mount Compatible (SMC)	No
Temperature Range - Operating	-40°C to +85°C
Termination Interface: Style	Through Hole - Compliant Pin
Waterproof / Dustproof	No

### **Electrical**

Current - Maximum per Contact	0.5A
Grounding to Panel	None
Shield Type	EMI Gasket
Shielded	Yes
Voltage - Maximum	120V AC (RMS)/DC

### **Material Info**

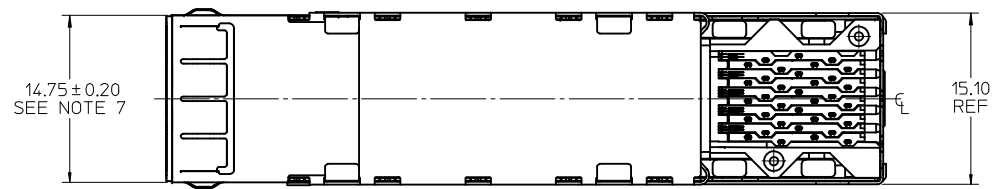
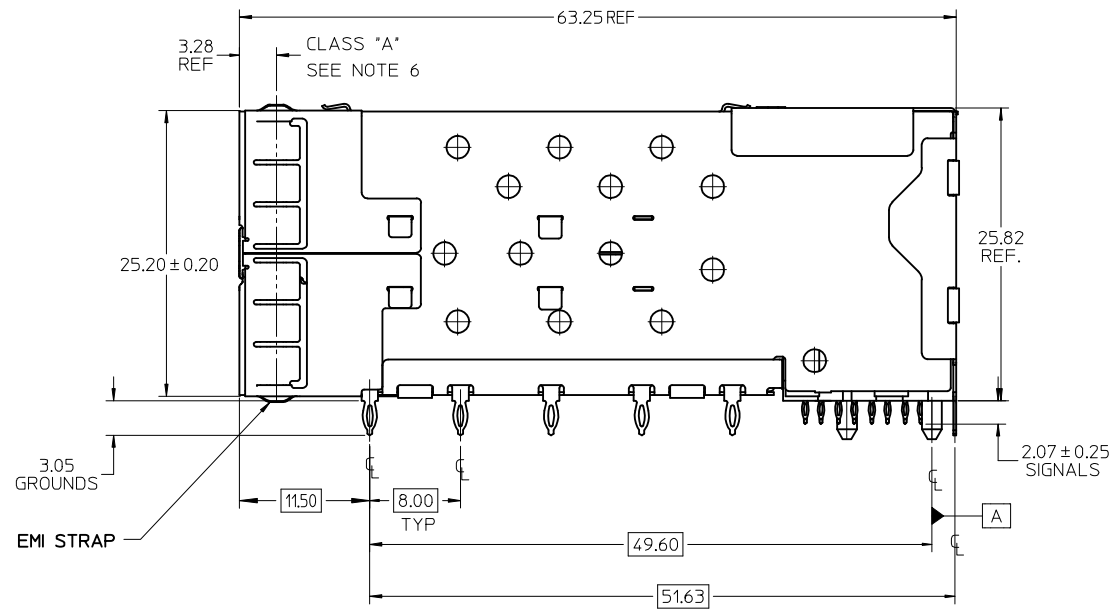
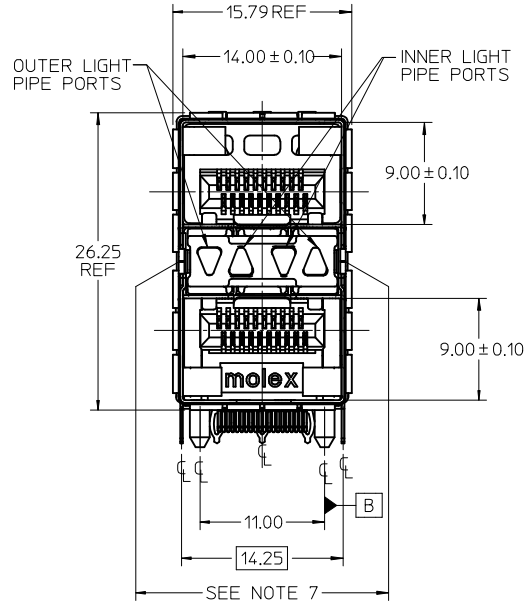
#### **Reference - Drawing Numbers**

Application Specification	AS-75310-001, AS-76090-001
Packaging Specification	PK-75462-001
Product Specification	PS-75310-001
Sales Drawing	SD-76044-001
Test Summary	TS-75310-001

This document was generated on 05/27/2010

**PLEASE CHECK [WWW.MOLEX.COM](http://WWW.MOLEX.COM) FOR LATEST PART INFORMATION**

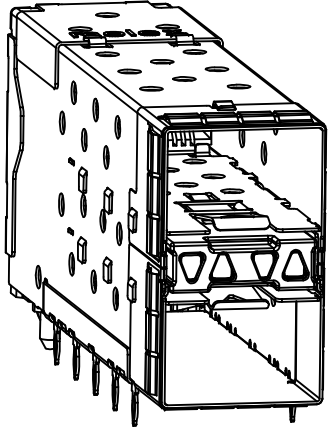
PART NUMBER	DESCRIPTION	VIEW	COMPLIANT TAIL PLATING
760440001	4 LIGHT PORTS	SEE PG 2	TIN / LEAD
760440002	INNER 2 PORTS	SEE PG 2	TIN / LEAD
760440003	OUTER 2 PORTS	SEE PG 2	TIN / LEAD
760445001	4 LIGHT PORTS	SEE PG 2	TIN
760445002	INNER 2 PORTS	SEE PG 2	TIN
760445003	OUTER 2 PORTS	SEE PG 2	TIN



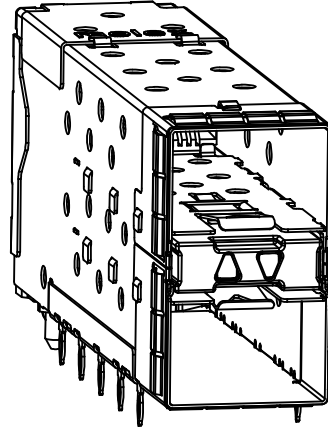
- NOTES
- MATERIAL:
    - EMI STRAPS: PHOS-BRONZE
    - CAGE: NICKEL SILVER, THICKNESS: 0.25mm
    - CONNECTOR HOUSING: GLASS FILLED HIGH TEMP PLASTIC, COLOR: BLACK
    - OVERMOLDED TERMINAL HOUSING: GLASS FILLED HIGH TEMP PLASTIC, COLOR: BLACK
    - TERMINALS: BRASS
    - LIGHT PIPES: POLYCARBONITE, 94 V-0, CLEAR
    - LIGHT PIPE HOUSING: ZINC
  - FINISH
    - EMI STRAPS: 100 MICROINCHES NICKEL OVERALL
    - LIGHT PIPE HOUSING: 150 MICRONS NICKEL OVER 150 MICRONS COPPER
    - TERMINALS: CONTACT AREA: 0.76 MICRONS MIN. HARD GOLD OVER 1.27 MICRONS MIN. NICKEL.
    - COMPLIANT TAIL - TIN/LEAD OPTION: 0.76 - 1.52 MICRONS 90/10 TIN/LEAD OVER 0.76 - 1.52 MICRONS NICKEL
    - COMPLIANT TAIL - TIN OPTION: 0.76 - 1.52 MICRONS TIN OVER 0.76 - 1.52 MICRONS NICKEL
  - REFER TO PS-75310-001 PRODUCT SPEC FOR ALL ELECTRICAL, MECHANICAL, AND ENVIRONMENTAL SPECIFICATIONS.
  - LIGHT PIPE PAD LAYOUT IS FOR 0805 LOW-PROFILE LED PACKAGE, FOR OTHER RECOMMENDED LAYOUTS REFER TO MOLEX'S REPORT TS-75310-001.
  - REFER TO PK-75462-001 FOR ALL PACKAGING SPECIFICATIONS.
  - ALL EXTERIOR SURFACES TO BE CLASS "B" SURFACE EXCEPT THE UNDER SIDE OF THE CAGE WHERE THE PCB WOULD BE LOCATED AND AS NOTED, THE SURFACES TO CONFORM TO THE MOLEX COSMETIC DOC PS-45499-002.
  - THE OVERALL CAGE WIDTH AT THE VERTICAL CENTER OF THE FRONT EDGE WILL FALL WITHIN THIS DIMENSION: 15.05 +/- 0.30 MM. THIS PORTION OF THE CAGE WILL FLEX INWARD AS THE CAGE IS BEING INSERTED INTO THE BEZEL OPENING.

ADD NOTE 7/KEEPOUT'S EC NO: UCP2009-1582 DRW:MSBARRA 2009/01/07 CHKD:BBARKER 2009/01/09 APPR:SMILLER 2009/01/12	QUALITY SYMBOLS ▽=0 ▽=0	GENERAL TOLERANCES (UNLESS SPECIFIED)		DIMENSION STYLE <b>MM ONLY</b>	SCALE <b>3:1</b>	DESIGN UNITS <b>METRIC</b>	THIRD ANGLE PROJECTION		
		4 PLACES ± --- ± --- 3 PLACES ± --- ± --- 2 PLACES ± 0.13 ± --- 1 PLACE ± 0.25 ± ---	mm INCH	DRAWN BY JJANTELEZ10	DATE 11-3-06	TITLE <b>STACKED SFP+ 2X1 ASS'Y WITH METAL EMI GASKET AND LIGHTPIPES</b>			
		ANGULAR ± 5 °		CHECKED BY JLONG	DATE 2-1-2007	MOLEX INCORPORATED			
		DRAFT WHERE APPLICABLE MUST REMAIN WITHIN DIMENSIONS		APPROVED BY KREGNIER	DATE 2-1-2007	MATERIAL NO. <b>SEE TABLE</b>	DOCUMENT NO. <b>SD-76044-001</b>	SHEET NO. <b>1 OF 4</b>	

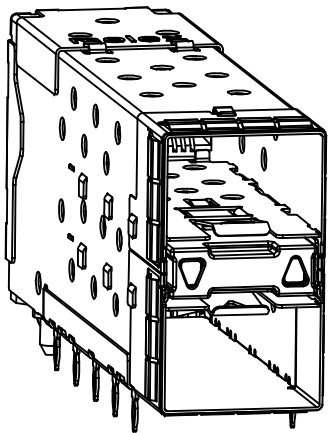
THIS DRAWING CONTAINS INFORMATION THAT IS PROPRIETARY TO MOLEX INCORPORATED AND SHOULD NOT BE USED WITHOUT WRITTEN PERMISSION



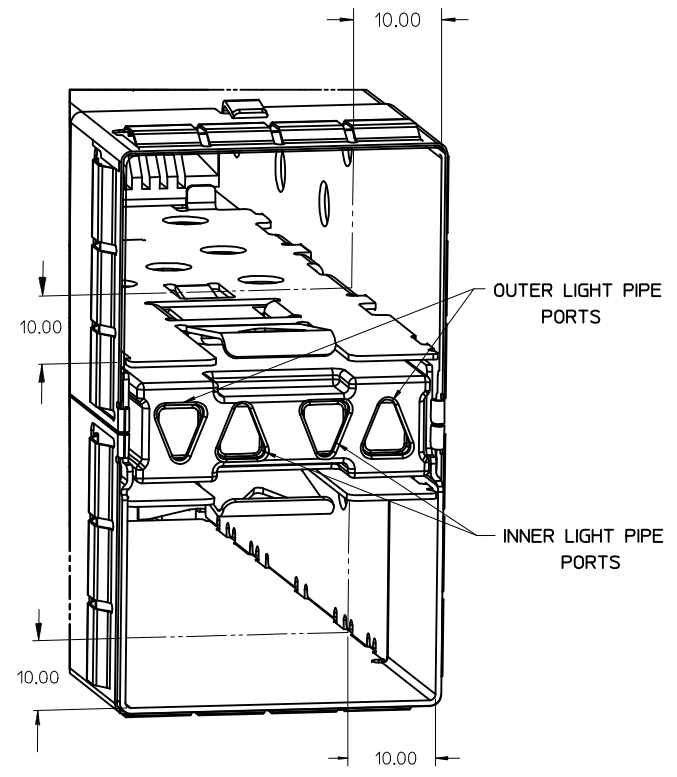
760440001 AND 760445001  
WITH INNER AND OUTER LIGHT PIPES



760440002 AND 760445002  
WITH INNER LIGHT PIPES

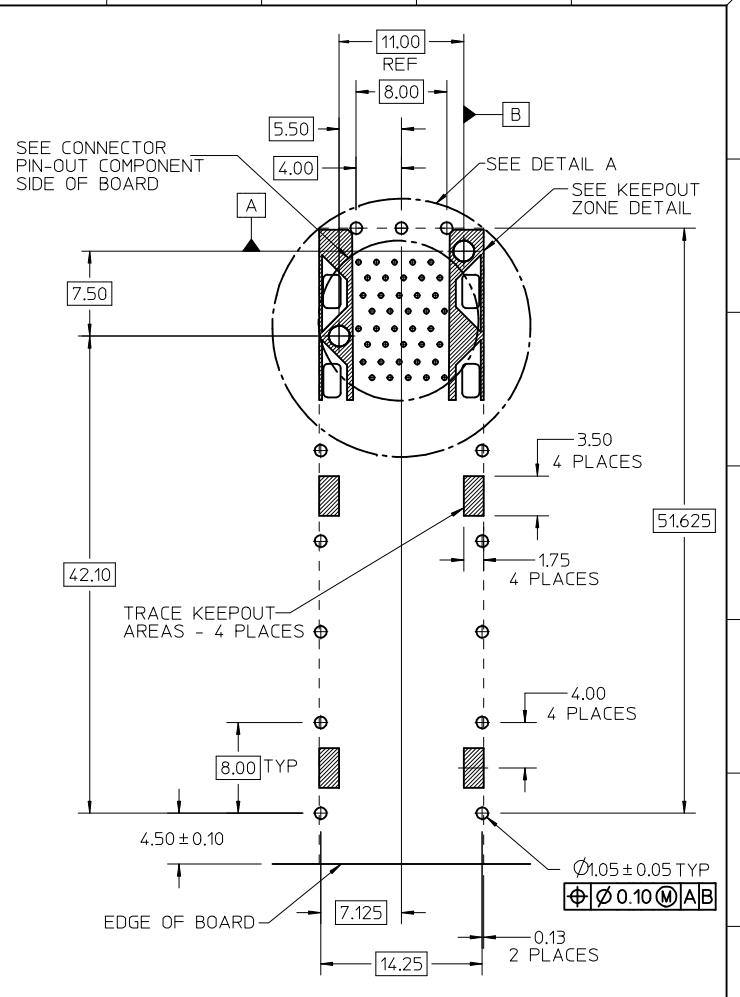
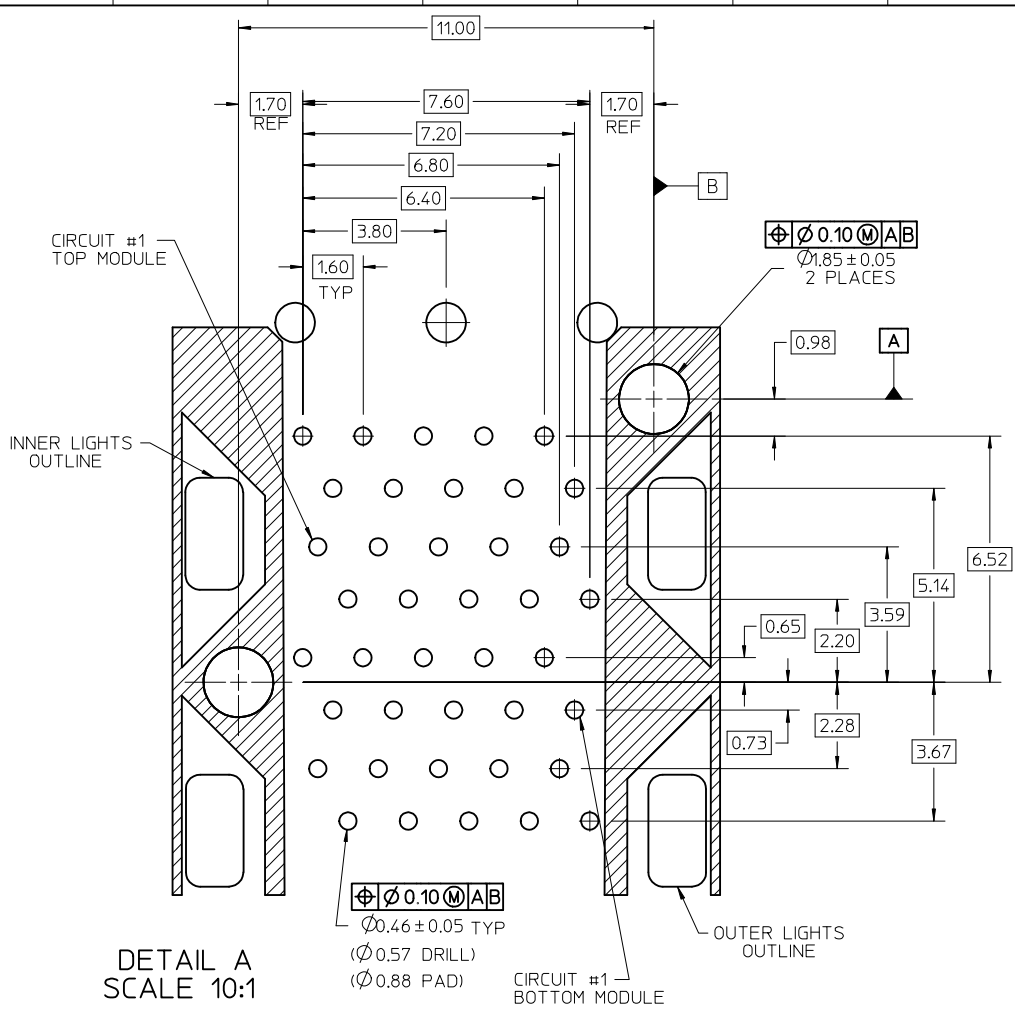


760440003 AND 760445003  
WITH OUTER LIGHT PIPES

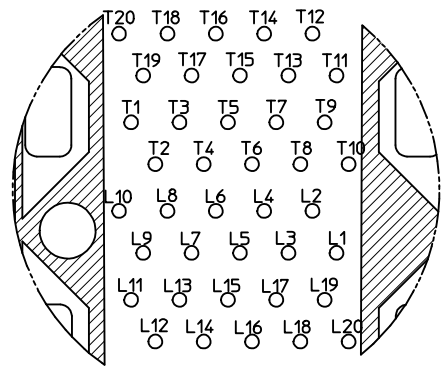


MODULE PORT DETAIL  
10.00MM AREA SETBACK IN CAGE IS TO BE FREE OF ANY HOLES, DIMPLES, SEAMS OR ANY OTHER FEATURES. (4 SIDES PER MODULE PORT)

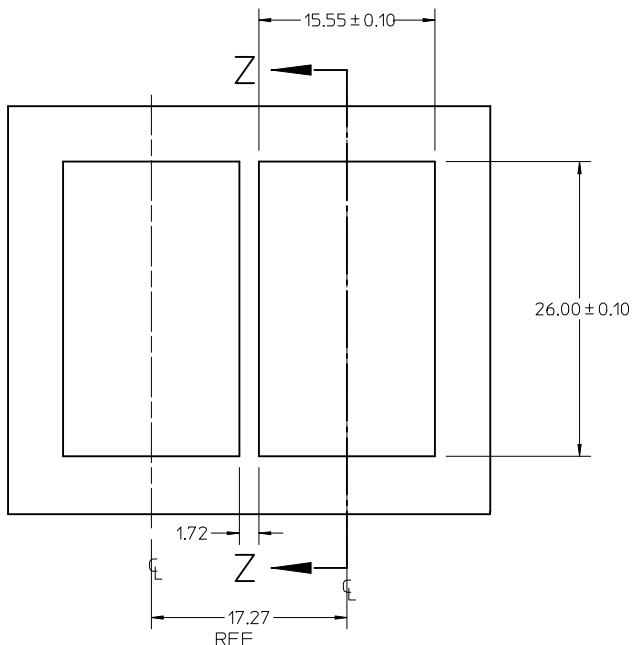
SEE SHEET 1 EC NO: UCP2009-1582 DRWN:MSIBARRA 2009/01/07 CHKD:BBARKER 2009/01/09 APPR:SMILLER 2009/01/12	QUALITY SYMBOLS ▽=0 ▽=0	GENERAL TOLERANCES (UNLESS SPECIFIED) mm INCH 4 PLACES ± --- ± --- 3 PLACES ± --- ± --- 2 PLACES ± 0.13 ± --- 1 PLACE ± 0.25 ± --- ANGULAR ± 5°	DIMENSION STYLE MM ONLY DRAWN BY JJANTELEZIO DATE 11-3-06 CHECKED BY JLONG DATE 2-1-2007 APPROVED BY KREGNIER DATE 2-1-2007	SCALE 3:1 DESIGN UNITS METRIC THIRD ANGLE PROJECTION	TITLE STACKED SFP+ 2X1 ASS'Y WITH METAL EMI GASKET AND LIGHTPIPES
	MATERIAL NO.	DOCUMENT NO.	SHEET NO.	MOLEX INCORPORATED	
	DRAFT WHERE APPLICABLE MUST REMAIN WITHIN DIMENSIONS	SEE TABLE	SD-76044-001	2 OF 4	
	THIS DRAWING CONTAINS INFORMATION THAT IS PROPRIETARY TO MOLEX INCORPORATED AND SHOULD NOT BE USED WITHOUT WRITTEN PERMISSION				
	MOLEX				



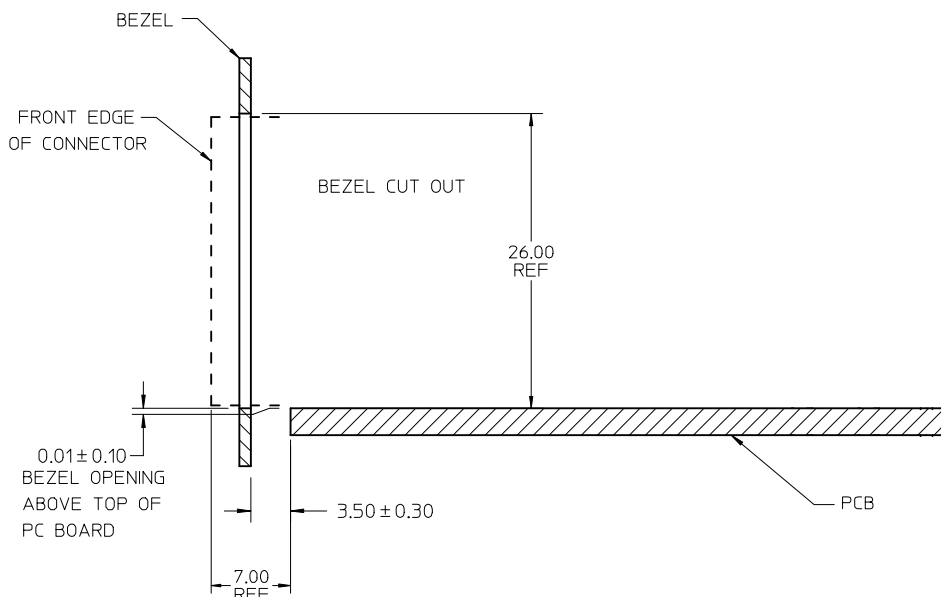
RECOMMENDED PCB LAYOUT - COMPONENT SIDE  
 RECOMMENDED PCB THICKNESS - 2.36 MM (.093 INCH)  
 THE ENTIRE AREA OF THE CONNECTOR FOOTPRINT TO BE CONSIDERED THE KEEP OUT AREA FOR COMPONENTS (OTHER THAN LIGHT PIPE LED'S). THIS AREA IS INDICATED BY THE DASHED LINE



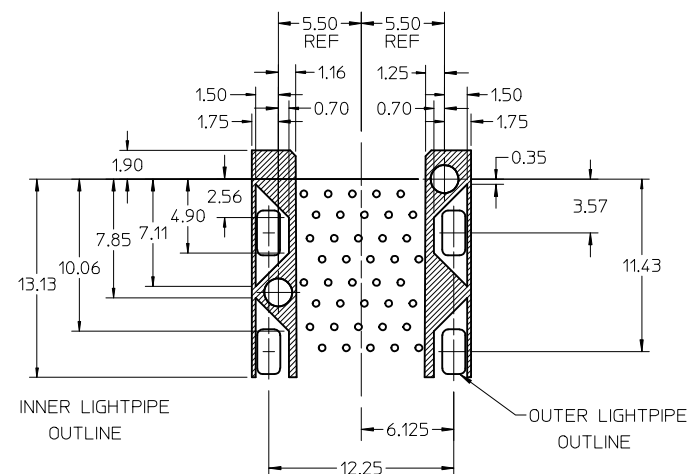
ADD KEEP-OUT ZONES EC NO: UCP2009-1582 DRWN:MS BARRA 2009/01/07 CHKD:BBARKER 2009/01/09 APPR:SMILLER 2009/01/12	QUALITY SYMBOLS ▽=0 ▽=0	GENERAL TOLERANCES (UNLESS SPECIFIED)		DIMENSION STYLE MM ONLY	SCALE 3:1	DESIGN UNITS METRIC	THIRD ANGLE PROJECTION	
		mm	INCH	DRAWN BY JJANTELEZ10	DATE 11-3-06	STACKED SFP+ 2X1 ASS'Y WITH METAL EMI GASKET AND LIGHTPIPES		
REV	DESCRIPTION	4 PLACES ± --- ± ---	3 PLACES ± --- ± ---	CHECKED BY JLONG	DATE 2-1-2007	MOLEX INCORPORATED		
		2 PLACES ± 0.13 ± ---	1 PLACE ± 0.25 ± ---	APPROVED BY KREGNIER	DATE 2-1-2007	SD-76044-001		
ANGULAR ± 5 °		DRAFT WHERE APPLICABLE MUST REMAIN WITHIN DIMENSIONS		SEE TABLE		SHEET NO. 3 OF 4		
MATERIAL NO.				DOCUMENT NO.		THIS DRAWING CONTAINS INFORMATION THAT IS PROPRIETARY TO MOLEX INCORPORATED AND SHOULD NOT BE USED WITHOUT WRITTEN PERMISSION		



BEZEL CUT-OUT CENTER SPACING DETAIL  
BEZEL THICKNESS 0.8-2.6



SECTION Z-Z



DETAIL - LIGHT PIPE AND OTHER ZONES  
SCALE 8:1

THE HATCHED AREA IN THIS VIEW INDICATES ZONES THAT ARE OCCUPIED BY THE PLASTIC HOUSING THAT SEATS AGAINST THE PCB AND BY THE VERTICAL METAL CAGE WALL THAT STOPS JUST SHORT OF THE PCB

SEE SHEET 1	REV	DESCRIPTION	QUALITY SYMBOLS	GENERAL TOLERANCES (UNLESS SPECIFIED)		DIMENSION STYLE MM ONLY	SCALE 3:1	DESIGN UNITS METRIC	THIRD ANGLE PROJECTION
				mm	INCH				
EC NO: UCP2009-1582			▽=0	4 PLACES ± ---	± ---	DRAWN BY JJANTELEZ10	DATE 11-3-06	TITLE STACKED SFP+ 2X1 ASS'Y WITH METAL EMI GASKET AND LIGHTPIPES	
DRWN:MS BARRA			▽=0	3 PLACES ± ---	± ---	CHECKED BY JLONG	DATE 2-1-2007		
2009/01/07				2 PLACES ± 0.13	± ---	APPROVED BY KREGNIER	DATE 2-1-2007	MOLEX INCORPORATED	
2009/01/09				1 PLACE ± 0.25	± ---	MATERIAL NO.	DOCUMENT NO.		
CHKD:BBARKER				ANGULAR ± 5 °		SEE TABLE		SD-76044-001	
APPR:SMILLER				DRAFT WHERE APPLICABLE MUST REMAIN WITHIN DIMENSIONS		SIZE C	THIS DRAWING CONTAINS INFORMATION THAT IS PROPRIETARY TO MOLEX INCORPORATED AND SHOULD NOT BE USED WITHOUT WRITTEN PERMISSION		
								SHEET NO. 4 OF 4	