

PLEASE CHECK WWW.MOLEX.COM FOR LATEST PART INFORMATION

Part Number: [0760665001](#)
Status: **Active**
Overview: [sfp_stacked_multiport_connectors](#)
Description: Small Form-factor Pluggable Plus (SFP+) Stacked 2-by-4 Multi-Port Press Fit Connector without Lightpipe Ports, EMI Metal Gasket, 160 Circuits, Tin (Sn) Tails

Documents:

[3D Model](#) [Product Specification PS-75310-001 \(PDF\)](#)
[Drawing \(PDF\)](#) [RoHS Certificate of Compliance \(PDF\)](#)
[Application Specification \(PDF\)](#)

Agency Certification

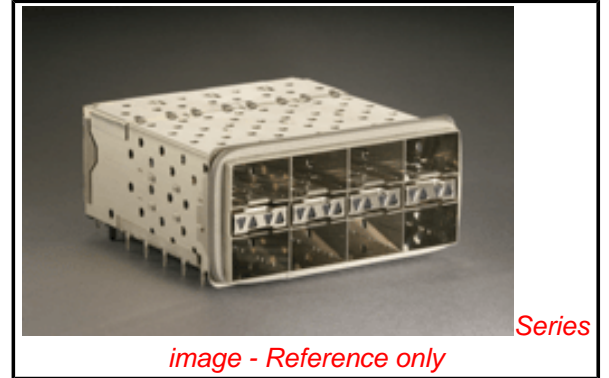
CSA LR19980
 UL E29179

General

Product Family I/O Connectors
 Series [76066](#)
 Application Module-to-Board
 Component Type Receptacle
 Overview [sfp_stacked_multiport_connectors](#)
 Product Name SFP Plus
 Type N/A

Physical

Boot Color N/A
 Circuits (Loaded) 160
 Circuits (maximum) 160
 Circuits Detail 160
 Color - Resin Black
 Durability (mating cycles max) 100
 Flammability 94V-0
 Gender Female
 Keying to Mating Part None
 Lock to Mating Part Yes
 Material - Metal High Performance Alloy (HPA)
 Material - Plating Mating Gold
 Material - Plating Termination Tin
 Material - Resin High Temperature Thermoplastic
 Number of Rows 8
 Orientation Right Angle
 PC Tail Length (in) 0.081 In
 PC Tail Length (mm) 2.07 mm
 PCB Locator Yes
 PCB Retention Yes
 PCB Thickness Recommended (in) 0.062 In
 PCB Thickness Recommended (mm) 1.57 mm
 Packaging Type Tray
 Panel Mount No
 Pitch - Mating Interface (in) 0.031 In
 Pitch - Mating Interface (mm) 0.80 mm
 Pitch - Term. Interface (in) 0.031 In
 Pitch - Term. Interface (mm) 0.80 mm
 Plating min: Mating (µin) 30.4
 Plating min: Mating (µm) 0.76
 Plating min: Termination (µin) 30.4



EU RoHS

ELV and RoHS Compliant

REACH SVHC

Contains SVHC: No

Halogen-Free

Status

Halogen-Free

Need more information on product environmental compliance?

Email productcompliance@molex.com
 For a multiple part number RoHS Certificate of Compliance, [click here](#)

Please visit the [Contact Us](#) section for any non-product compliance questions.

China RoHS



Search Parts in this Series

[76066Series](#)

Use With

[0759510999 SFP Dust Plug](#),

Application Tooling | FAQ

Tooling specifications and manuals are found by selecting the products below. Crimp Height Specifications are then contained in the Application Tooling Specification document.

Global

Description	Product #
SFP Stacked Multi-Port Insertion Tool, 2 by 4	0622029920
SFP Stacked Multi-Port Extraction Tool, 2 by 4	0622029940

Plating min: Termination (µm)	0.76
Polarized to Mating Part	Yes
Polarized to PCB	Yes
Ports	8
Surface Mount Compatible (SMC)	Yes
Temperature Range - Operating	-40°C to +85°C
Termination Interface: Style	Through Hole - Compliant Pin
Waterproof / Dustproof	No

Electrical

Current - Maximum per Contact	0.5A
Grounding to Panel	None
Shield Type	EMI Fingers, Full Shield
Shielded	Yes
Voltage - Maximum	120V AC (RMS)/DC

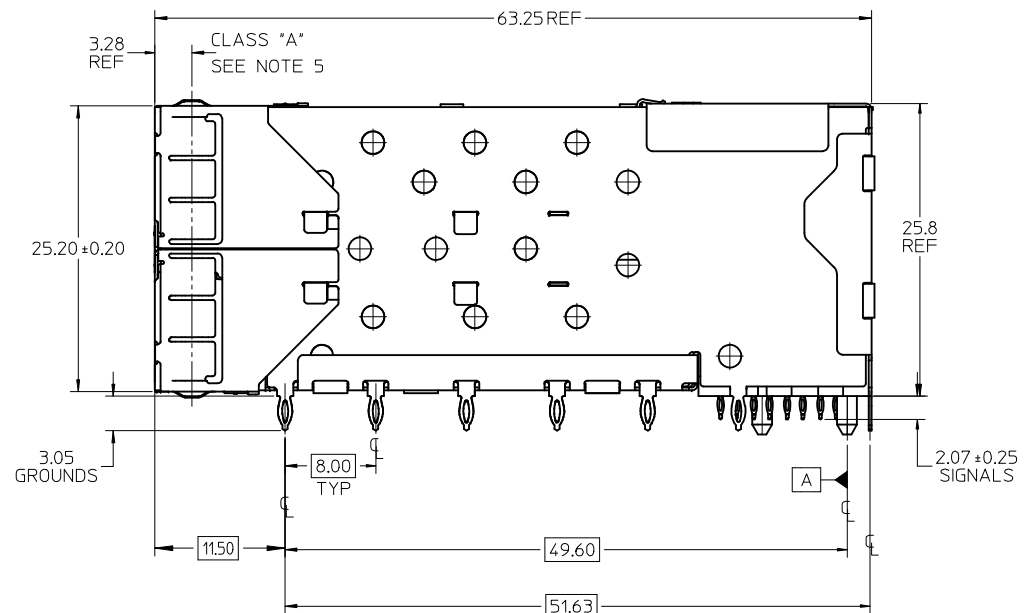
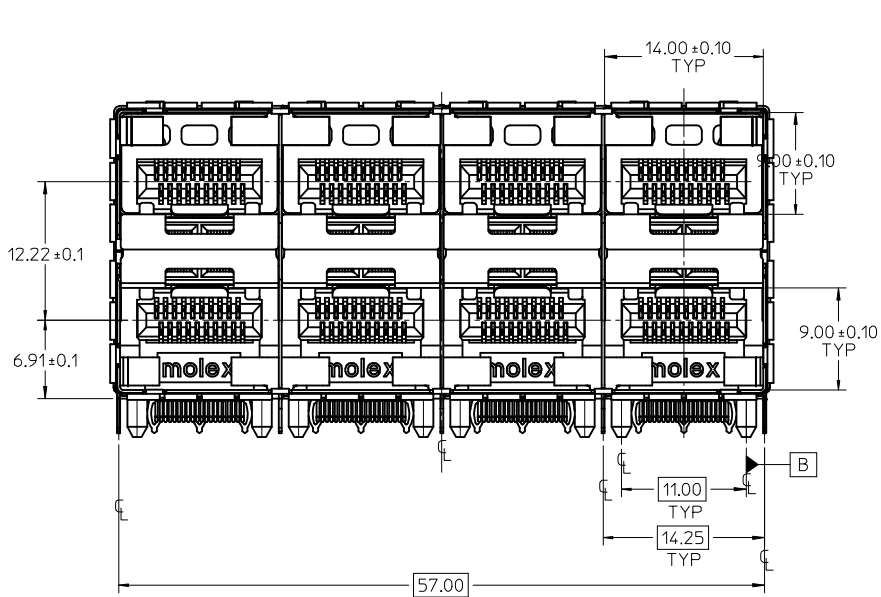
Material Info

Reference - Drawing Numbers

Application Specification	AS-75310-001
Packaging Specification	PK-75450-001
Product Specification	PS-75310-001
Sales Drawing	SD-76066-001
Test Summary	TS-75310-001

This document was generated on 05/27/2010

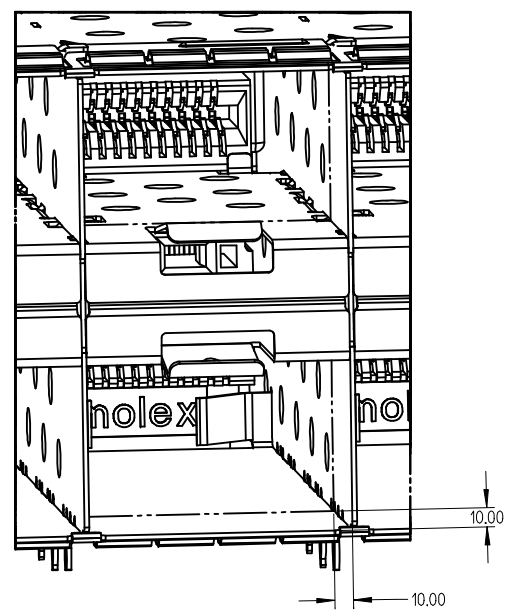
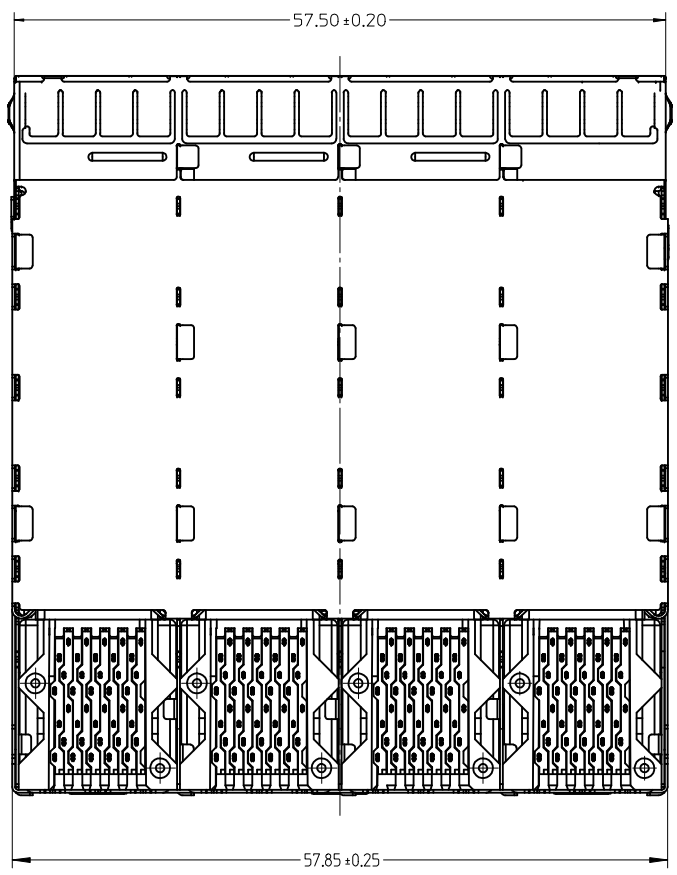
PLEASE CHECK WWW.MOLEX.COM FOR LATEST PART INFORMATION



- NOTES:
- MATERIAL:
 - CAGE: NICKEL SILVER, THICKNESS: 0.25mm
 - EMI METAL GASKET: PHOS-BRONZE
 - CONNECTOR HOUSING: GLASS FILLED HIGH TEMP PLASTIC, 94 V-0
 - COLOR: BLACK
 - OVERMOLDED TERMINAL HOUSING: GLASS FILLED HIGH TEMP PLASTIC, 94 V-0, COLOR: BLACK
 - TERMINALS: TIN BRASS
 - FINISH:
 - TERMINALS: CONTACT AREA: 0.76 MICROS MIN. HARD GOLD OVER 1.27 MICRONS NICKEL.
 - COMPLIANT TAIL - TIN/LEAD OPTION: 0.76 - 1.52 MICRONS 90/10 TIN/LEAD OVER 0.76 - 1.52 MICRONS NICKEL
 - COMPLIANT TAIL - TIN OPTION: 0.76 - 1.52 MICRONS TIN OVER 0.76 - 1.52 MICRONS NICKEL
 - EMI METAL GASKET: 2.54 MICRONS NICKEL OVERALL
 - REFER TO PS-75310-001 PRODUCT SPEC FOR ALL ELECTRICAL, MECHANICAL AND ENVIRONMENTAL SPECIFICATIONS.
 - REFER TO PK-75450-001 FOR ALL PACKAGING SPECIFICATIONS.
 - ALL EXTERIOR SURFACES TO BE CLASS "B" SURFACE EXCEPT THE UNDER SIDE OF THE CAGE WHERE THE PCB WOULD BE LOCATED AND AS NOTED. THE SURFACES TO CONFORM TO THE MOLEX COSMETIC DOC PS-45499-002.

PART NUMBER	COMPLIANT TAIL PLATING
760660001	TIN / LEAD
760665001	TIN

ADD KEEP OUT ZONES EC NO: UCP2009-1356 DRW:MSI.BARRA 2009/08/06 CHKD:BBARKER 2009/08/06 APPR:SMILLER 2009/08/06	QUALITY SYMBOLS ▽=0 ▽=0	GENERAL TOLERANCES (UNLESS SPECIFIED)		DIMENSION STYLE MM ONLY		SCALE 3:1	DESIGN UNITS METRIC	THIRD ANGLE PROJECTION	
				DRAWN BY MSANDBERG		DATE 10-19-2006		TITLE STACKED SFP+ 2X4 ASS'Y WITH METAL EMI GASKET	
				CHECKED BY JLONG		DATE 10-19-2006		APPROVED BY RNELSON	
				DATE 10-19-2006		DATE 10-19-2006		MATERIAL NO. SD-76066-001	
		ANGULAR ± 5 °		SEE TABLE		DOCUMENT NO.		SHEET NO. 1 OF 4	
		DRAFT WHERE APPLICABLE MUST REMAIN WITHIN DIMENSIONS		SIZE C		THIS DRAWING CONTAINS INFORMATION THAT IS PROPRIETARY TO MOLEX INCORPORATED AND SHOULD NOT BE USED WITHOUT WRITTEN PERMISSION			

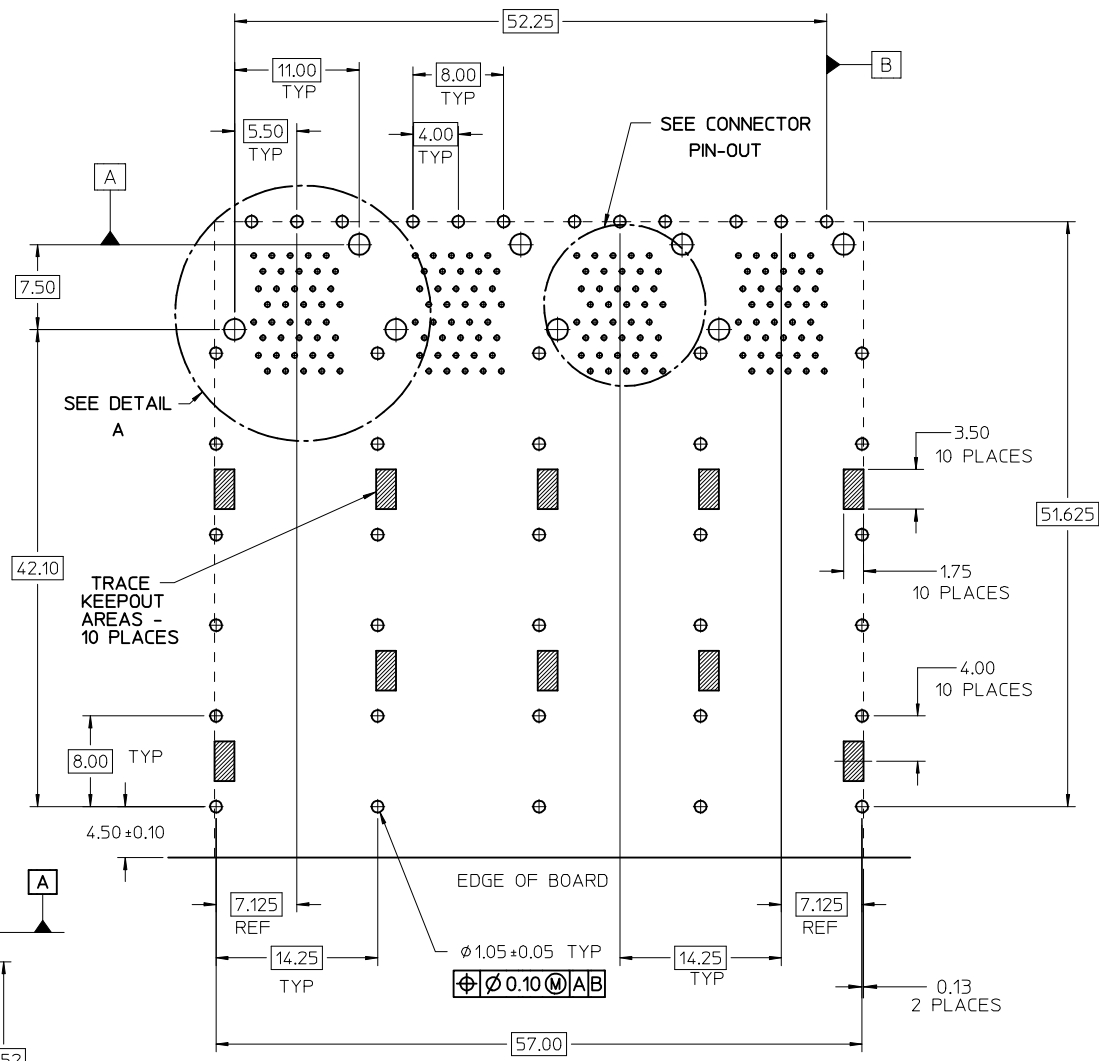
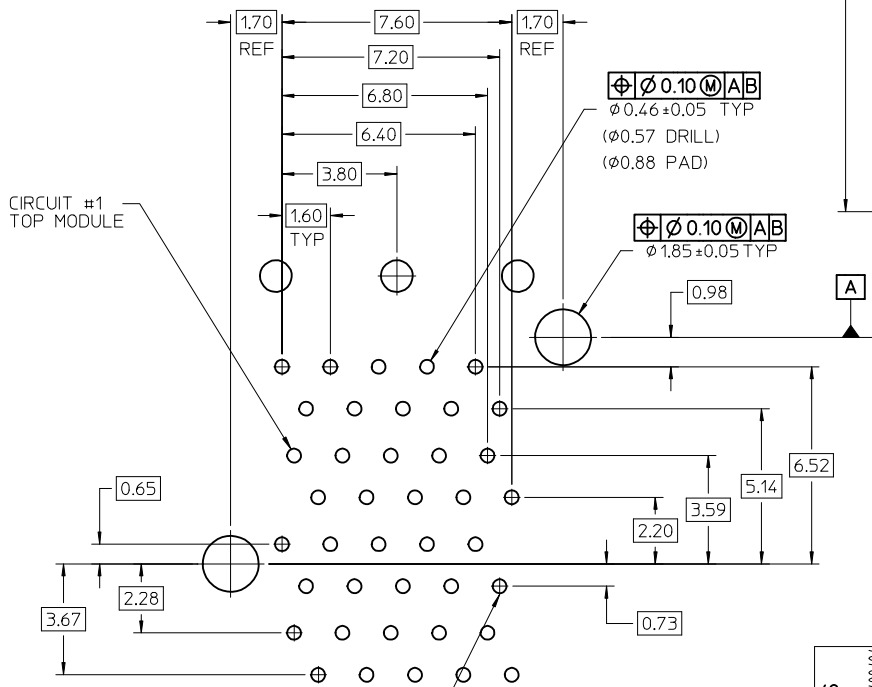


10.00mm INTO PORT AREAS OF CAGE IS TO BE FREE OF ANY HOLES, DIMPLES, SEAMS OR ANY OTHER FEATURE. 4 SIDES PER PORT)

SEE SHEET 1 EC NO: UCP2009-1356 DRW:MS IBARRA 2009/08/04 CHKD:BBARKER 2009/08/06 APPR:SMILLER 2009/08/06	QUALITY SYMBOLS ▽=0 ▽=0	GENERAL TOLERANCES (UNLESS SPECIFIED) <table border="1"> <thead> <tr> <th></th> <th>mm</th> <th>INCH</th> </tr> </thead> <tbody> <tr> <td>4 PLACES</td> <td>± .---</td> <td>± .---</td> </tr> <tr> <td>3 PLACES</td> <td>± .---</td> <td>± .---</td> </tr> <tr> <td>2 PLACES</td> <td>± 0.13</td> <td>± .---</td> </tr> <tr> <td>1 PLACE</td> <td>± 0.25</td> <td>± .---</td> </tr> </tbody> </table> ANGULAR ± 5 °		mm	INCH	4 PLACES	± .---	± .---	3 PLACES	± .---	± .---	2 PLACES	± 0.13	± .---	1 PLACE	± 0.25	± .---	DIMENSION STYLE MM ONLY DRAWN BY DATE MSANDBERG 10-19-2006 CHECKED BY DATE JLONG 10-19-2006 APPROVED BY DATE RNELSON 10-19-2006 MATERIAL NO.	SCALE 3:1 DESIGN UNITS METRIC THIRD ANGLE PROJECTION	TITLE STACKED SFP+ 2X4 ASS'Y WITH METAL EMI GASKET
		mm	INCH																	
	4 PLACES	± .---	± .---																	
	3 PLACES	± .---	± .---																	
2 PLACES	± 0.13	± .---																		
1 PLACE	± 0.25	± .---																		
DRAFT WHERE APPLICABLE MUST REMAIN WITHIN DIMENSIONS	SEE TABLE	MOLEX INCORPORATED DOCUMENT NO. SD-76066-001	SHEET NO. 2 OF 4																	
THIS DRAWING CONTAINS INFORMATION THAT IS PROPRIETARY TO MOLEX INCORPORATED AND SHOULD NOT BE USED WITHOUT WRITTEN PERMISSION																				

T20 T18 T16 T14 T12
 T19 T17 T15 T13 T11
 T8 T6 T5 T7 T9
 L10 L8 L6 L4 L2
 L9 L7 L5 L3 L1
 L11 L13 L15 L17 L19
 L12 L14 L16 L18 L20

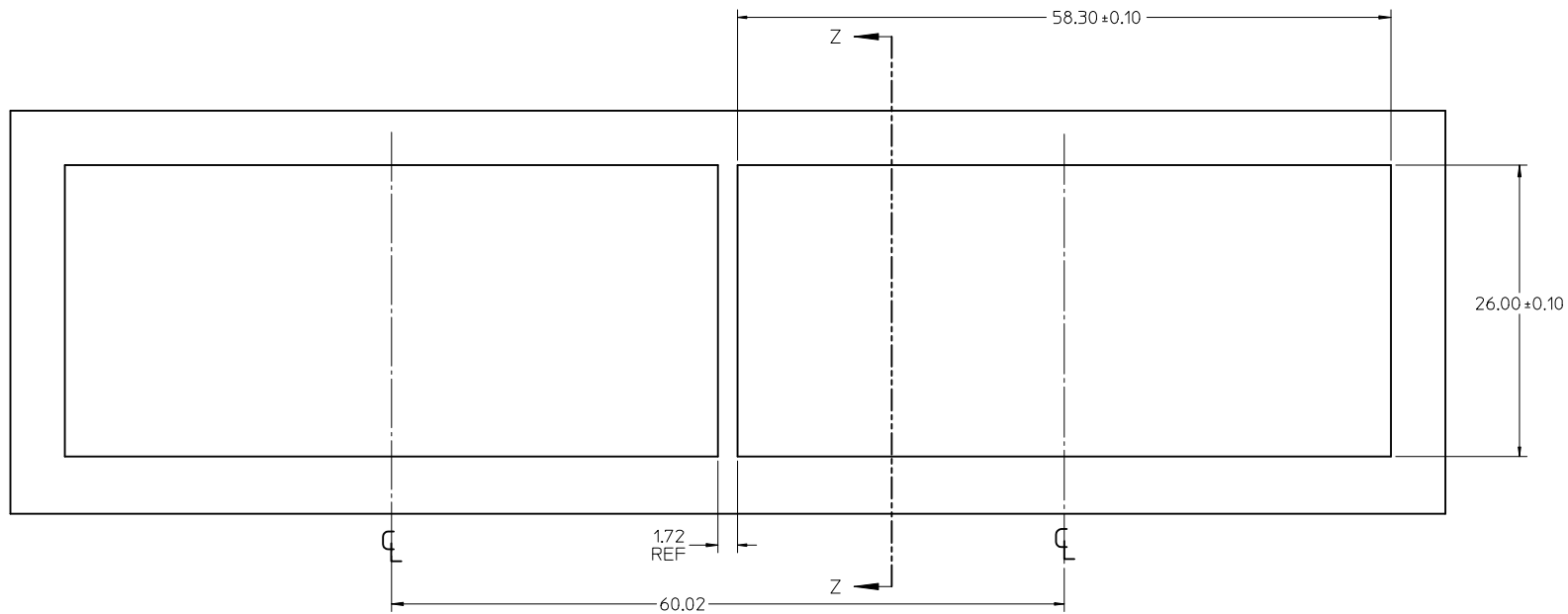
CONNECTOR PIN-OUT
 SCALE 6:1



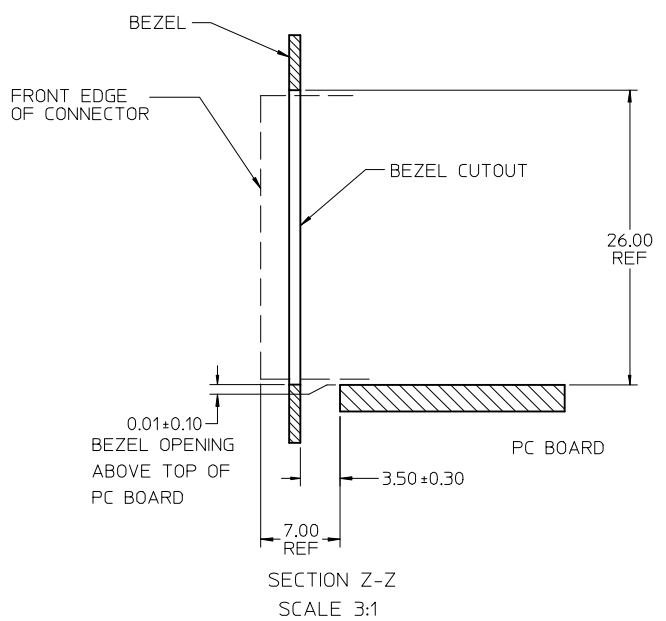
RECOMMENDED PCB LAYOUT - COMPONENT SIDE
 RECOMMENDED PCB THICKNESS - 2.36 MM (.093 INCH)

THE ENTIRE AREA OF THE CONNECTOR FOOTPRINT
 TO BE CONSIDERED THE KEEP OUT AREA FOR COMPONENTS
 THIS AREA IS INDICATED BY THE DASHED AREA

ADD KEEP OUT ZONES EC NO: UCP2009-1356 DRWN:MS BARRA 2009/08/04 CHKD:BBARKER 2009/08/06 APPR:SMILLER 2009/08/06 REV:	QUALITY SYMBOLS	GENERAL TOLERANCES (UNLESS SPECIFIED) <table border="1"> <tr> <th></th> <th>mm</th> <th>INCH</th> </tr> <tr> <td>4 PLACES</td> <td>± .05</td> <td>± .002</td> </tr> <tr> <td>3 PLACES</td> <td>± .03</td> <td>± .001</td> </tr> <tr> <td>2 PLACES</td> <td>± 0.13</td> <td>± .005</td> </tr> <tr> <td>1 PLACE</td> <td>± 0.25</td> <td>± .010</td> </tr> </table> ANGULAR ± 5 °		mm	INCH	4 PLACES	± .05	± .002	3 PLACES	± .03	± .001	2 PLACES	± 0.13	± .005	1 PLACE	± 0.25	± .010	DIMENSION STYLE MM ONLY DRAWN BY DATE MSANDBERG 10-19-2006 CHECKED BY DATE JLONG 10-19-2006 APPROVED BY DATE RNELSON 10-19-2006	SCALE 3:1 DESIGN UNITS METRIC THIRD ANGLE PROJECTION	TITLE STACKED SFP+ 2X4 ASS'Y WITH METAL EMI GASKET MOLEX INCORPORATED SD-76066-001 SHEET NO. 3 OF 4
			mm	INCH																
	4 PLACES		± .05	± .002																
	3 PLACES		± .03	± .001																
2 PLACES	± 0.13	± .005																		
1 PLACE	± 0.25	± .010																		
DRAFT WHERE APPLICABLE MUST REMAIN WITHIN DIMENSIONS	MATERIAL NO. SEE TABLE DOCUMENT NO.																			
THIS DRAWING CONTAINS INFORMATION THAT IS PROPRIETARY TO MOLEX INCORPORATED AND SHOULD NOT BE USED WITHOUT WRITTEN PERMISSION	MOLEX																			



BEZEL CUTOUT CENTER SPACING DETAIL
BEZEL THICKNESS 0.8-2.6



SEE SHEET 1	EC NO: UCP2009-1356	2009/08/04
	DRWN:MSI BARRA	2009/08/06
	CHKD:BBARKER	2009/08/06
	APPR:SMILLER	2009/08/06
	REV	DESCRIPTION

QUALITY SYMBOLS	▽=0
	▽=0
GENERAL TOLERANCES (UNLESS SPECIFIED)	mm
	INCH
4 PLACES	± --- ± ---
3 PLACES	± --- ± ---
2 PLACES	± 0.13 ± ---
1 PLACE	± 0.25 ± ---
ANGULAR ± 5 °	
DRAFT WHERE APPLICABLE MUST REMAIN WITHIN DIMENSIONS	

DIMENSION STYLE		SCALE	DESIGN UNITS	THIRD ANGLE PROJECTION
MM ONLY		3:1	METRIC	☉
DRAWN BY	DATE	TITLE		
MSANDBERG	10-19-2006	STACKED SFP+ 2X4 ASS'Y WITH METAL EMI GASKET		
CHECKED BY	DATE	MATERIAL NO.		
JLONG	10-19-2006	SEE TABLE		
APPROVED BY	DATE	DOCUMENT NO.		
RNELSON	10-19-2006	SD-76066-001		
SIZE		SHEET NO.		
C		4 OF 4		
THIS DRAWING CONTAINS INFORMATION THAT IS PROPRIETARY TO MOLEX INCORPORATED AND SHOULD NOT BE USED WITHOUT WRITTEN PERMISSION				