

PLEASE CHECK WWW.MOLEX.COM FOR LATEST PART INFORMATION

Part Number: [0850520050](#)
Status: **Active**
Overview: [din_41612](#)
Description: 2.54mm (.100") Pitch DIN 41612 Receptacle, Style R Reverse, 96 Circuits

Documents:

[3D Model](#) [RoHS Certificate of Compliance \(PDF\)](#)
[Drawing \(PDF\)](#)

Agency Certification

CSA LR19980
 UL E29179

General

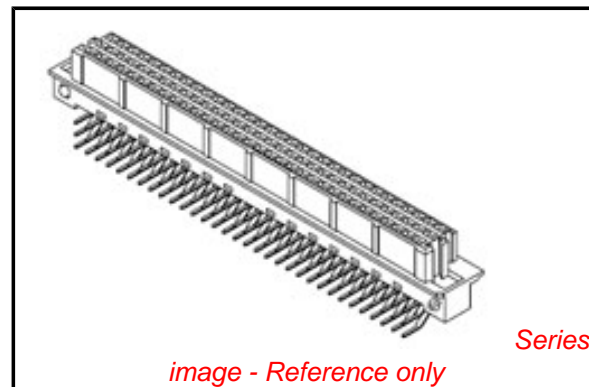
Product Family Backplane Connectors
 Series [85052](#)
 Application Backplane
 Component Type PCB Receptacle
 Overview [din_41612](#)
 Product Name IEC 603-2/DIN 41612
 Style R

Physical

Circuits (Loaded) 96
 Circuits (maximum) 96
 Durability (mating cycles max) 400
 First Mate / Last Break No
 Flammability 94V-0
 Guide to Mating Part No
 Keying to Mating Part Yes
 Number of Columns 32
 Number of Pairs Open Pin Field
 Number of Rows 3
 Orientation Right Angle
 PC Tail Length (in) 0.134 In
 PC Tail Length (mm) 3.40 mm
 PCB Locator No
 PCB Retention Yes
 PCB Thickness Recommended (in) 0.063 In, 0.126 In
 PCB Thickness Recommended (mm) 1.60 mm, 3.20 mm
 Packaging Type Tray
 Pitch - Mating Interface (in) 0.100 In
 Pitch - Mating Interface (mm) 2.54 mm
 Pitch - Term. Interface (in) 0.100 In
 Pitch - Term. Interface (mm) 2.54 mm
 Polarized to PCB Yes
 Stackable No
 Surface Mount Compatible (SMC) No
 Temperature Range - Operating -55°C to +125°C
 Termination Interface: Style Through Hole

Electrical

Current - Maximum per Contact 1A
 Data Rate 622.0 Mbps
 Real Signals (per 25mm) 30
 Voltage - Maximum 250V AC (RMS)



EU RoHS

**ELV and RoHS
 Compliant**
REACH SVHC
 Not Reviewed
**Halogen-Free
 Status**
Not Reviewed

China RoHS



**Need more information on product
 environmental compliance?**

Email productcompliance@molex.com
 For a multiple part number RoHS Certificate of
 Compliance, [click here](#)

Please visit the [Contact Us](#) section for any
 non-product compliance questions.

Search Parts in this Series

[85052Series](#)

Mates With

DIN 41612 Headers [85003](#) , [85013](#)

Solder Process Data

Duration at Max. Process Temperature (seconds)	10
Lead-free Process Capability	Wave Capable (TH only)
Process Temperature max. C	260

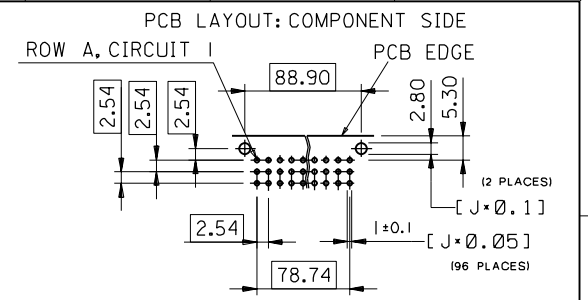
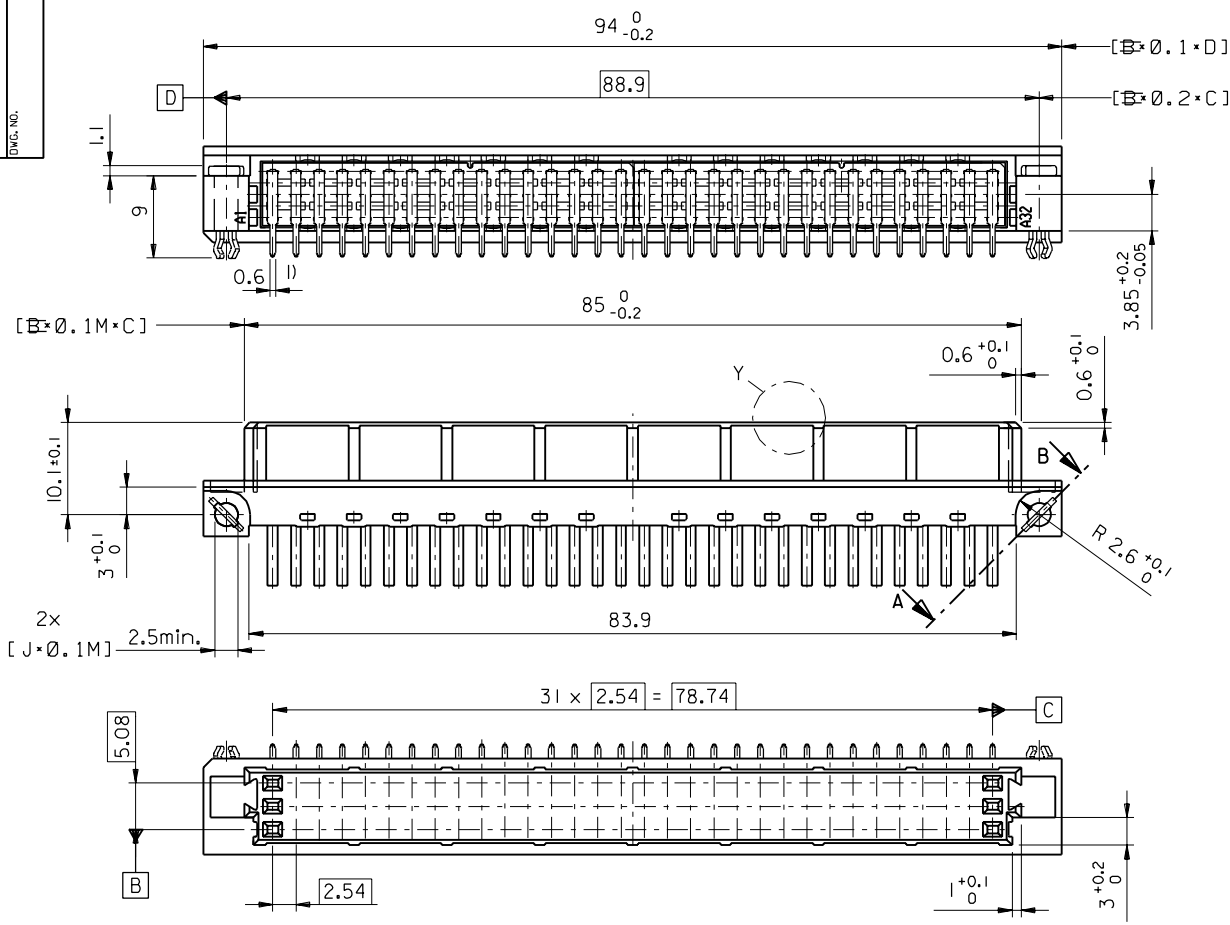
Material Info**Reference - Drawing Numbers**

Sales Drawing	SD-85052-0050, SDA-85052-0001
---------------	-------------------------------

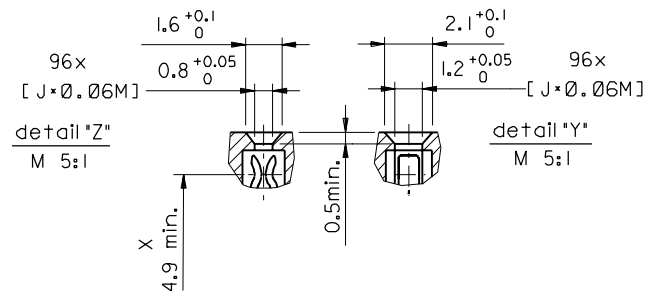
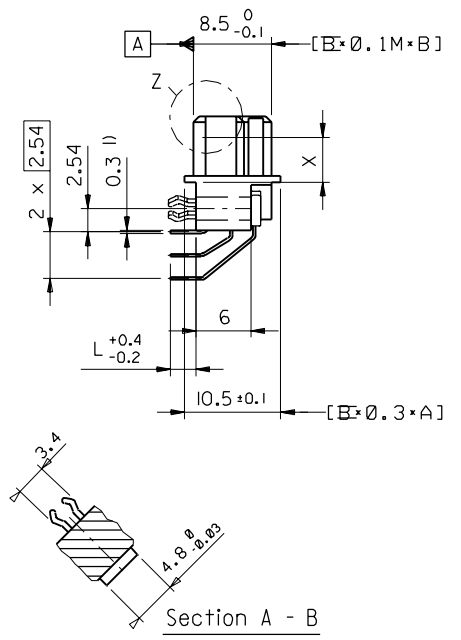
This document was generated on 05/17/2010

PLEASE CHECK WWW.MOLEX.COM FOR LATEST PART INFORMATION

PART NO.
DWG. NO.



1) tails to fit in PC-board layout



FIRST ANGLE PROJECTION

DRWG BY	KN
CHK'D BY	Ca
APP'D BY	JB
SCALE	2:1

UNLESS OTHERWISE SPECIFIED TOLERANCES: ANGULAR ±2°
INCH METRIC

3 PLACE ±	±
2 PLACE ±	±
1 PLACE ±	±

DRAFT WHERE APPLICABLE MUST REMAIN WITHIN DIMENSIONS

DESIGN DIMENSION	<input checked="" type="checkbox"/> MM
	<input type="checkbox"/> IN.
EQUIVALENT DIMENSION	<input type="checkbox"/> MM
	<input type="checkbox"/> IN.

IF TWO DIMENSIONS ARE SHOWN THE UPPER IS THE DESIGN DIMENSION, LOWER IS SECONDARY

2	B1
SH.	REV.
REVISIONS	
ECN MG1998-2586 hole pattern/L+0.4-0.2 97-09-15 KN	
FOR PREVIOUS REVISIONS SEE MRL LIST	
L/TR	
CAD/CAM PROJECT NAME 85052000 611	
THIS DRAWING CONTAINS INFORMATION THAT IS PROPRIETARY TO MOLEX INC. & SHOULD NOT BE USED WITHOUT WRITTEN PERMISSION	
TITLE 96 pos. female connector DIN 41612 style R + clip Dimensions	
MOLEX MOLEX EUROPE	
SHEET NO. DATE 1 OF 2 96/04/25	
PART NO. DWG NO. SDA-85052-0001	
SIZE B	