

**PLEASE CHECK WWW.MOLEX.COM FOR LATEST PART INFORMATION**

**Part Number:** [0900591007](#)  
**Status:** **Active**  
**Overview:** [cgrid\\_ii|cgrid\\_sl\\_products](#)  
**Description:** 2.54mm (.100") Pitch C-Grid® Micro Shunt, Low Profile, 200mm" Tin (Sn) Plating

**Documents:**

[Drawing \(PDF\)](#) [RoHS Certificate of Compliance \(PDF\)](#)

**General**

Product Family	Accessories
Series	<a href="#">90059</a>
Component Type	Shunt
Overview	<a href="#">cgrid_ii cgrid_sl_products</a>
Product Name	C-Grid®, C-Grid III™, SL™

**Physical**

Circuits (Loaded)	2
Circuits (maximum)	2
Color - Resin	Black
Gender	Female
Material - Metal	Phosphor Bronze
Material - Plating Mating	Tin
Material - Plating Termination	Tin
Material - Resin	Polyester
Number of Rows	1
Packaging Type	Bag
Plating min: Mating (µin)	200
Plating min: Mating (µm)	5
Plating min: Termination (µin)	200
Plating min: Termination (µm)	5
Polarized to Mating Part	Yes
Temperature Range - Operating	-65°C to +120°C
Termination Interface: Style	Surface Mount

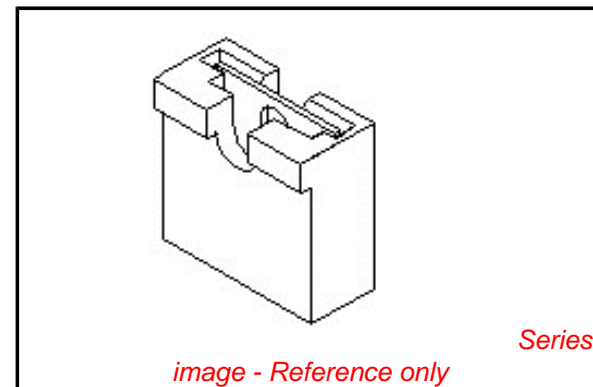
**Electrical**

Current - Maximum per Contact	1.5A
-------------------------------	------

**Material Info**

**Reference - Drawing Numbers**

Sales Drawing	SDA-90059
---------------	-----------



**EU RoHS**

**ELV and RoHS  
Compliant**  
**REACH SVHC  
Contains SVHC: No**  
**Halogen-Free  
Status  
Not Reviewed**

**China RoHS**



**Need more information on product  
environmental compliance?**

Email [productcompliance@molex.com](mailto:productcompliance@molex.com)  
 For a multiple part number RoHS Certificate of  
 Compliance, [click here](#)

Please visit the [Contact Us](#) section for any  
 non-product compliance questions.

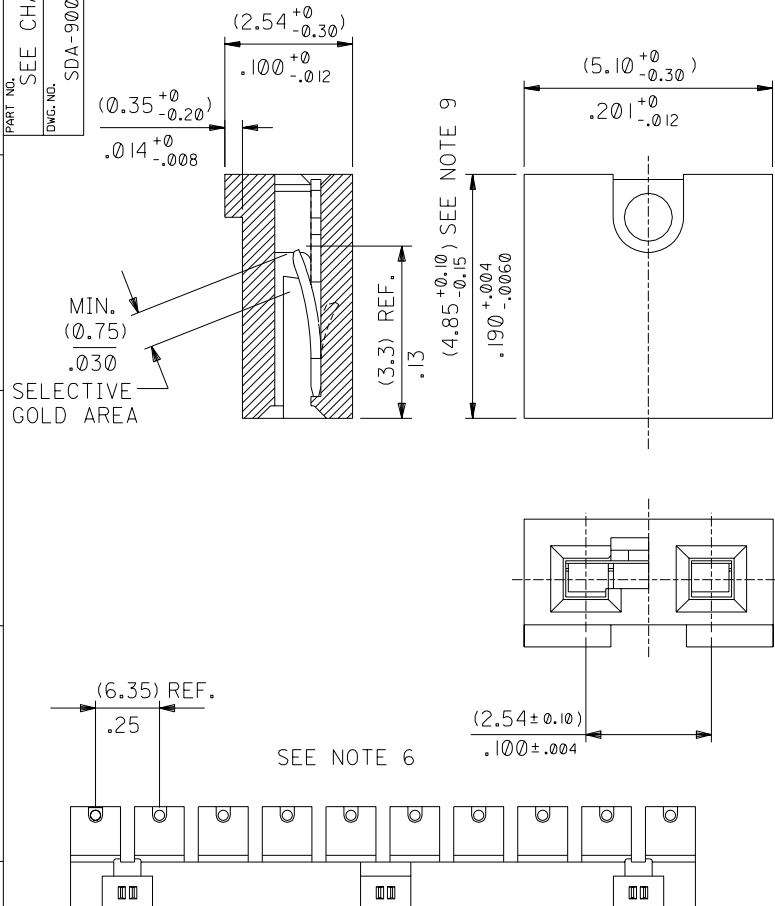
**Search Parts in this Series**

[90059Series](#)

**Use With**

(0.64)/.025 square and round pins

PART NO. SEE CHART  
DWG. NO. SDA-90059



- NOTES:
- HOUSING MATERIAL: POLYESTER 30% GLASS FILLED.
  - TERMINAL MATERIAL: PHOSPHOR BRONZE.
  - THIS PART IS STACKABLE, END TO END AND SIDE BY SIDE ON (2.54)/.100 CENTRES.
  - SHUNT WILL ACCEPT (0.64)/.025 SQUARE AND ROUND PINS.
  - MAX. PROBE DIA. (0.9)/.035.
  - PARTS SUPPLIED IN STRIPS OF TEN OR AS LOOSE PIECE (SEE CHART).
  - VERSIONS 90059-0007,90059-0009 PREFERRED IN EUROPE/AMERICA.
  - VERSIONS 90059-0013,90059-0014,90059-0015 PREFERRED IN FAR EAST.
  - DIMENSION APPLIES TO MOULDED HOUSING ONLY. BREAK-OFF (5.10)/.201 MAX.

SUPPLIED AS STRIP/LOOSE	PART No	TERMINAL PLATING	HSG. COLOUR	PACKAGING INNER QTY.	PACKAGING QTY.PER BOX
⑦ STRIP	90059-0007	TIN (5u)/.0002 MIN. OVER NI (1.27u)/.00005 MIN.	BLACK	1000 pcs	20,000 pcs
LOOSE	90059-1007	TIN (5u)/.0002 MIN. OVER NI (1.27u)/.00005 MIN.	BLACK	10,000 pcs	40,000 pcs
STRIP	90059-0009	GOLD (0.38u)/.000015 MIN IN CONTACT AREA OVER NICKEL (1.27u)/.00005 IN CONTACT AREA WITH NICKEL (0.2u)/.000008 OVERALL MIN.	WHITE	1000 pcs	20,000 pcs
LOOSE	90059-1009	GOLD (0.38u)/.000015 MIN IN CONTACT AREA OVER NICKEL (1.27u)/.00005 IN CONTACT AREA WITH NICKEL (0.2u)/.000008 OVERALL MIN.	WHITE	10,000 pcs	40,000 pcs
STRIP	90059-0011	GOLD (0.38u)/.000015 MIN IN CONTACT AREA OVER NICKEL (1.27u)/.00005 IN CONTACT AREA WITH NICKEL (0.2u)/.000008 OVERALL MIN.	BLACK	1000 pcs	20,000 pcs
⑧ STRIP	90059-0012	GOLD (0.76u)/.000030 MIN IN CONTACT AREA OVER NICKEL (1.27u)/.00005 IN CONTACT AREA WITH NICKEL (0.2u)/.000008 OVERALL MIN.	WHITE	1000 pcs	20,000 pcs
⑨ STRIP	90059-0013	0.76um OF Ni UNDER 3 - 5 um OF TIN	BLACK	1000 pcs	20,000 pcs
⑧ STRIP	90059-0014	GOLD (0.1u)/.000004 MIN OVERALL OVER (1.0u)/.00004 MIN NICKEL OVERALL	WHITE	1000 pcs	20,000 pcs
STRIP	90059-0015	GOLD (1.0u)/.00004 MIN IN CONTACT AREA OVER NICKEL (0.76u)/.00003 IN CONTACT AREA WITH NICKEL (0.2u)/.000008 OVERALL MIN.	WHITE	1000 pcs	20,000 pcs
STRIP	90059-0016	GOLD (0.38u)/.000015 MIN IN CONTACT AREA OVER NICKEL (1.27u)/.00005 IN CONTACT AREA WITH NICKEL (0.2u)/.000008 OVERALL MIN.	RED	1000 pcs	20,000 pcs
LOOSE	90059-1011	GOLD (0.38u)/.000015 MIN IN CONTACT AREA OVER NICKEL (1.27u)/.00005 IN CONTACT AREA WITH NICKEL (0.2u)/.000008 OVERALL MIN.	BLACK	10,000 pcs	40,000 pcs
STRIP	90059-0017	TIN (5u)/.0002 MIN. OVER NI (1.27u)/.00005 MIN.	WHITE	1000 pcs	20,000 pcs
STRIP	90059-0018	GOLD (0.38u)/.000015 MIN IN CONTACT AREA OVER NICKEL (1.27u)/.00005 IN CONTACT AREA WITH NICKEL (0.2u)/.000008 OVERALL MIN.	BLUE	1000 pcs	20,000 pcs
STRIP	90059-0020	GOLD (0.1u)/.000004 MIN OVERALL OVER (1.0u)/.00004 MIN NICKEL OVERALL	BLACK	1000 pcs	20,000 pcs
LOOSE	90059-1020	GOLD (0.1u)/.000004 MIN OVERALL OVER (1.0u)/.00004 MIN NICKEL OVERALL	BLACK	10,000 pcs	40,000 pcs

CHANGE TIN/LEAD TO TIN. UPDATE LOOSE PKT. QTY. EC NO. E2004-0584 DRWN: M McS 04/01/05 CHK: / / / APPR: / / /	QUALITY SYMBOLS MAJOR CRITICAL	GENERAL TOLERANCES: (UNLESS SPECIFIED)		SCALE 10:1	DESIGN UNITS <input checked="" type="checkbox"/> mm <input type="checkbox"/> INCH	THIRD ANGLE PROJECTION	DIMENSIONS: <input checked="" type="checkbox"/> mm <input type="checkbox"/> INCH <input type="checkbox"/> mm ONLY	SHT 2	REV AR
		4 PLACES ±0.1	±.	DRAWN BY & DATE mcc 86/04/08		TITLE: 2.54mm C-Grid Micro Shnt			
		3 PLACES ±0.05	±.	CHECKED BY & DATE dbrennan 00/07/26					
		1 PLACE ±0.10	±.	APPROVED BY & DATE mwilite 00/07/26		MOLEX INCORPORATED			
AR	REV	ANGULAR: ± 1°		CAD FILENAME	MATERIAL NO. SEE CHART	DRAWING NO. SDA-90059	SHEET NO. 1 of 2		
DRAFT WHERE APPLICABLE MUST REMAIN WITHIN DIMENSIONS				THIS DRAWING CONTAINS INFORMATION THAT IS PROPRIETARY TO MOLEX INCORPORATED AND SHOULD NOT BE USED WITHOUT WRITTEN PERMISSION.					SIZE B