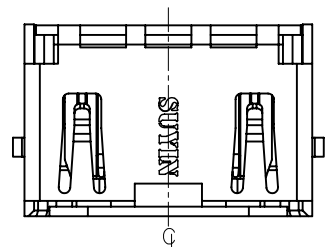
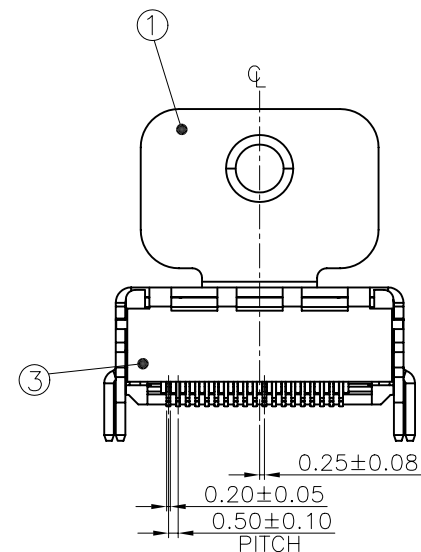
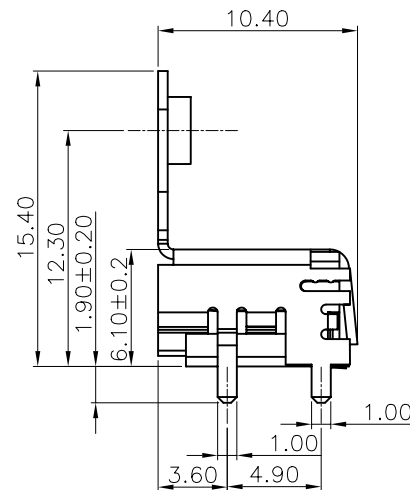
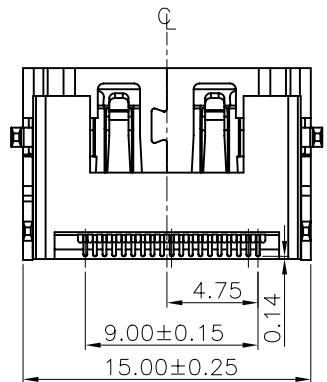
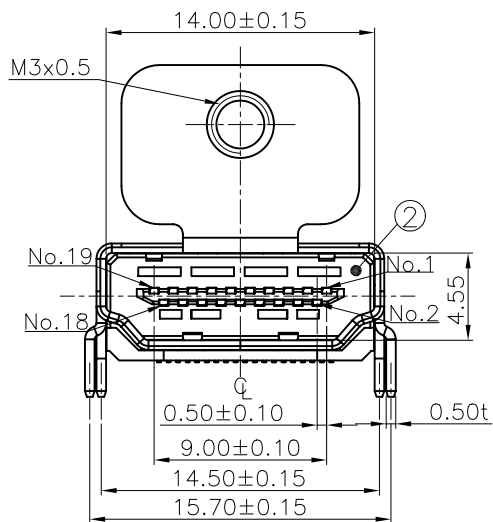




RoHS Compliant
2002/95/EC



HDMI RECEPTACLE SMT TYPE



1 NOTES:
100042MB019S□15ZA

- 1.Plating
- S1-05u" Min. gold in contact area/
100u" Min. Tin in solder area.
 - S2-Gold flash in contact area/
100u" Min. Tin in solder area.
 - S3-10u" Min. gold in contact area/
100u" Min. Tin in solder area.
 - S4-15u" Min. gold in contact area/
100u" Min. Tin in solder area.
 - S5-30u" Min. gold in contact area/
100u" Min. Tin in solder area.

NO.	DESCRIPTION	MATERIAL	COLOR	REMARK
3	Terminal	Copper Alloy	—	Gold/Tin Plated Over Ni
2	Housing	High Temp.	Black	UL 94V-0
1	Shell	Metal	—	Ni Plated

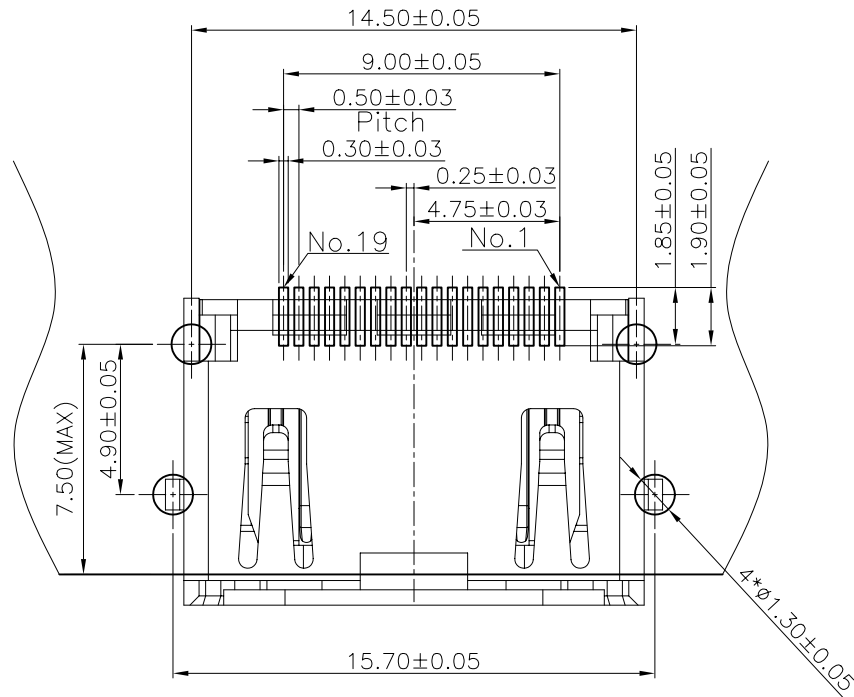
SUYIN
CONNECTOR

CUSTOMER COPY	TITLE: HDMI Receptacle SMT Type With Flange Low Profile Type			
PART NO.	100042MB019SX15ZA			
PRODUCT SPEC.	100042MX019XXXXZX			
FILE NAME.	D	100042MB019SX15ZA-C		
SCALE	2.5:1	UNIT:mm	A4	SHEET: 1 of 3

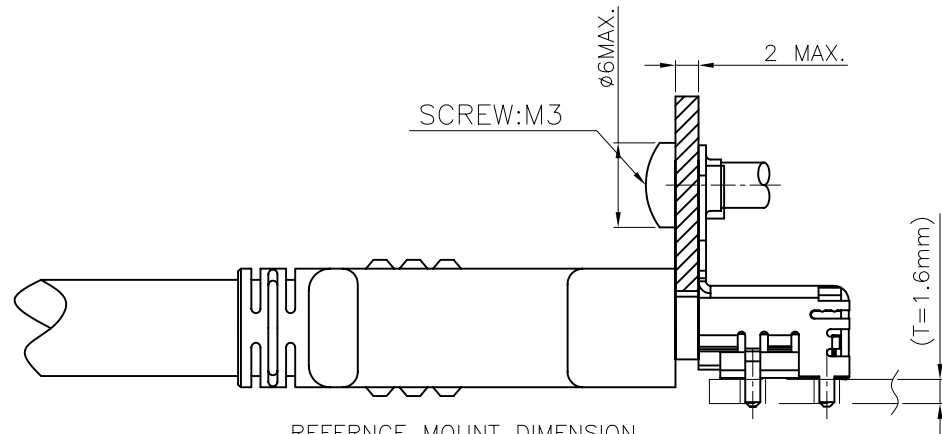
ECN(DCN) NO.	REV	DATE	DESCRIPTION	CHANGE	APPRO.	Angle	±2°	DRAW	李楠	06'/11/29
	0		NEW RELEASE	李楠童俐		30 ~	±0.50	DESIGN	李楠	06'/11/29
	P0	06'/09/02	NEW	李楠童俐		10 ~ 30	±0.30	CHECK	鄭冰雨	06'/11/29
						~ 10	±0.15	APPRO.	童俐	06'/11/29
						GENERAL TOLERANCE UNLESS OTHERWISE NOTED				



RoHS Compliant
2002/95/EC



RECOMMENDED PCB LAYOUT (THICKNESS=1.6±0.15mm)



REFERNE MOUNT DIMENSION

3	Terminal	Copper Alloy	———	Gold/Tin Plated Over Ni
2	Housing	High Temp.	Black	UL 94V-0
1	Shell	Metal	———	Ni Plated
NO.	DESCRIPTION	MATERIAL	COLOR	REMARK

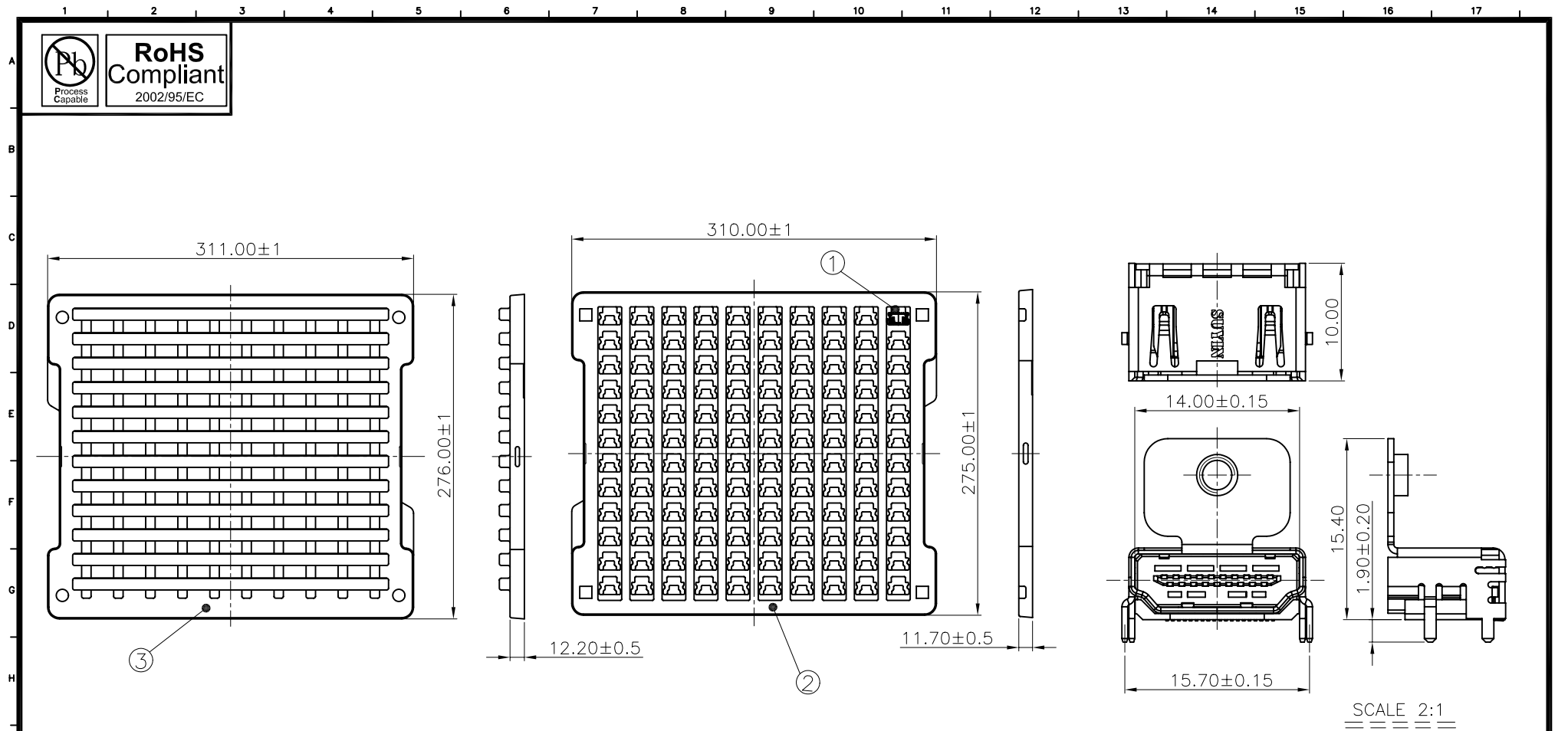
SUYIN
CONNECTOR

CUSTOMER COPY	TITLE: HDMI Receptacle SMT Type With Flange Low Profile Type			
PART NO.	100042MB019SX15ZA			
PRODUCT SPEC.	100042MX019XXXXZX			
FILE NAME.	D	100042MB019SX15ZA-C		
SCALE	4:1	UNIT:mm	A4	SHEET: 2 of 3

					Angle	±2°	DRAW	李楠	06'/11/29
					30 ~	±0.50	DESIGN	李楠	06'/11/29
	0		NEW RELEASE	李楠童俐	10 ~ 30	±0.30	CHECK	鄭冰雨	06'/11/29
	P0	06'/09/02	NEW	李楠童俐	~ 10	±0.15	APPRO.	童俐	06'/11/29
ECN(DCN) NO.	REV	DATE	DESCRIPTION	CHANGE	APPRO.	GENERAL TOLERANCE UNLESS OTHERWISE NOTED	APPRO.		



RoHS Compliant
2002/95/EC
Process Capable



SCALE 2:1

1 Package Information

Product Number	Q'ty per tray
100042MB019SX15ZA	120 pcs

NOTE:1.ALL dimensions toerance are:
±0.30mm unless otherwise specified.

2.TRAY(BOTTOM):T=0.70mm
TRAY(TOP):T=0.70mm

3	Tray(Top)	PVC	Trans	——
2	Tray(Bottom)	PVC	Trans	——
1	Product	——	——	100042MB019SX15ZA
NO.	DESCRIPTION	MATERIAL	COLOR	REMARK

SUYIN
CONNECTOR

CUSTOMER COPY	TITLE: HDMI Receptacle SMT Type With Flange Low Profile Type			
PART NO.	100042MB019SX15ZA			
PRODUCT SPEC.	100042MX019XXXXZX			
FILE NAME.	D	100042MB019SX15ZA-C		
SCALE	1:5	UNIT:mm	A4	SHEET: 3 of 3

					Angle	±2'	DRAW	李楠	06'/11/29
					30 ~	±0.50	DESIGN	李楠	06'/11/29
	0		NEW RELEASE	李楠童俐	10 ~ 30	±0.30	CHECK	鄭冰雨	06'/11/29
	P0	06'/09/02	NEW	李楠童俐	~ 10	±0.15	APPRO.	童俐	06'/11/29
ECN(DCN) NO.	REV	DATE	DESCRIPTION	CHANGE	APPRO.	GENERAL TOLERANCE UNLESS OTHERWISE NOTED	APPRO.		