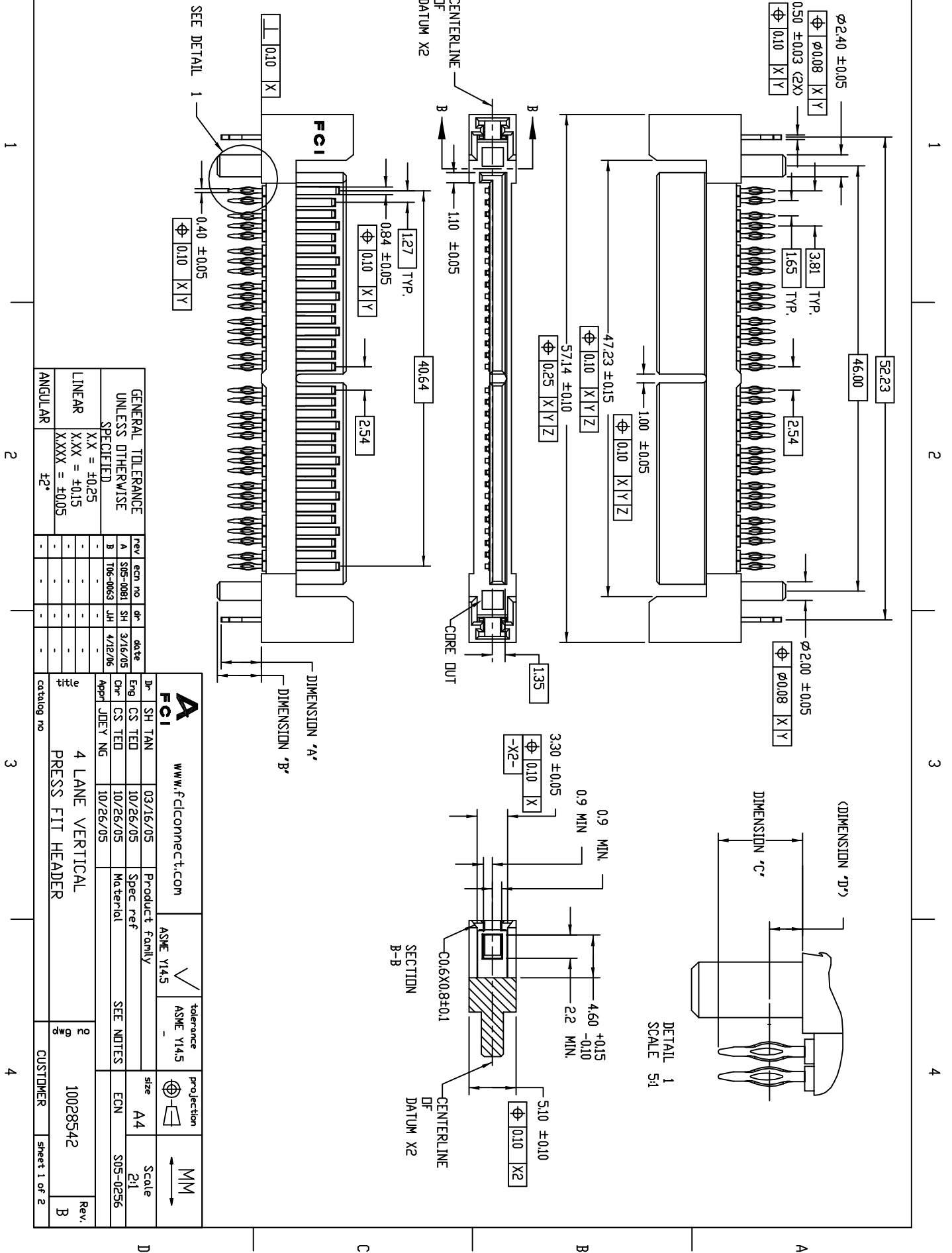


All rights strictly reserved. Reproduction or issue to third parties in any form whatever is not permitted without written authority from the proprietor.
Property of FCI. Copyright FCI.



Tous droits strictement reserves. Reproduction ou communication a des tiers interdite sous quelque forme que ce soit sans autorisation ecrite du proprietaire.
Propriete de c FCI. Droits de reproduction FCI.



GENERAL TOLERANCE UNLESS OTHERWISE SPECIFIED		rev	ecm no.	dr.	date
A	305-0081	SH	3/16/05		
B	706-0063	JH	4/12/06		
LINEAR		XXX = ± 0.25			
		XXX = ± 0.15			
ANGULAR		XXX = ± 0.05			
		$\pm 2^\circ$			

Dr.	SH TAN	03/16/05	Product family	ASME Y14.5	tolerance	ASME Y14.5	projection	MM
Eng	CS TED	10/26/05	Spec ref					
Chr	CS TED	10/26/05	Material					
Appr	JDEV NG	10/26/05						

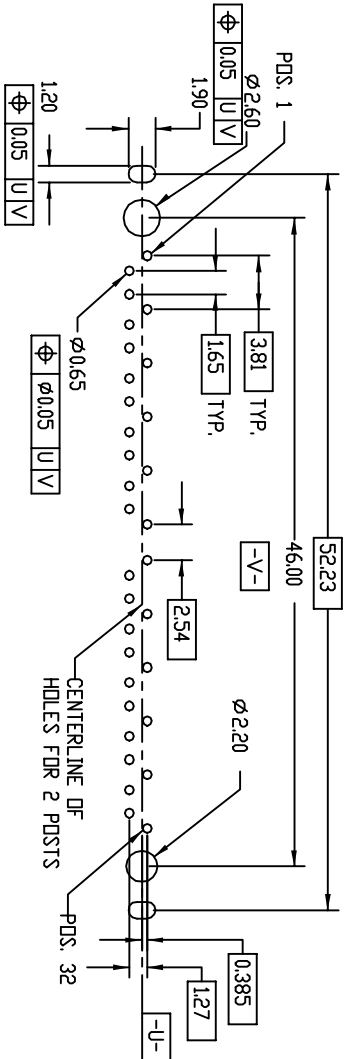
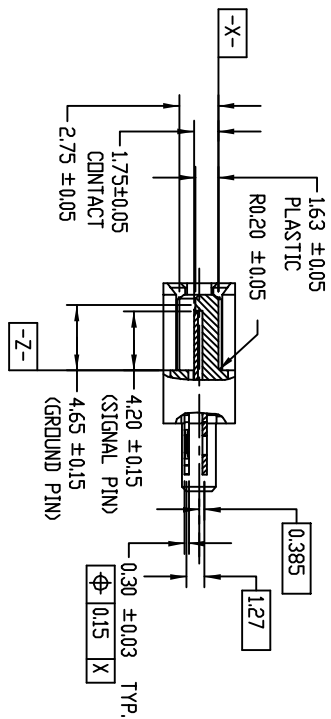
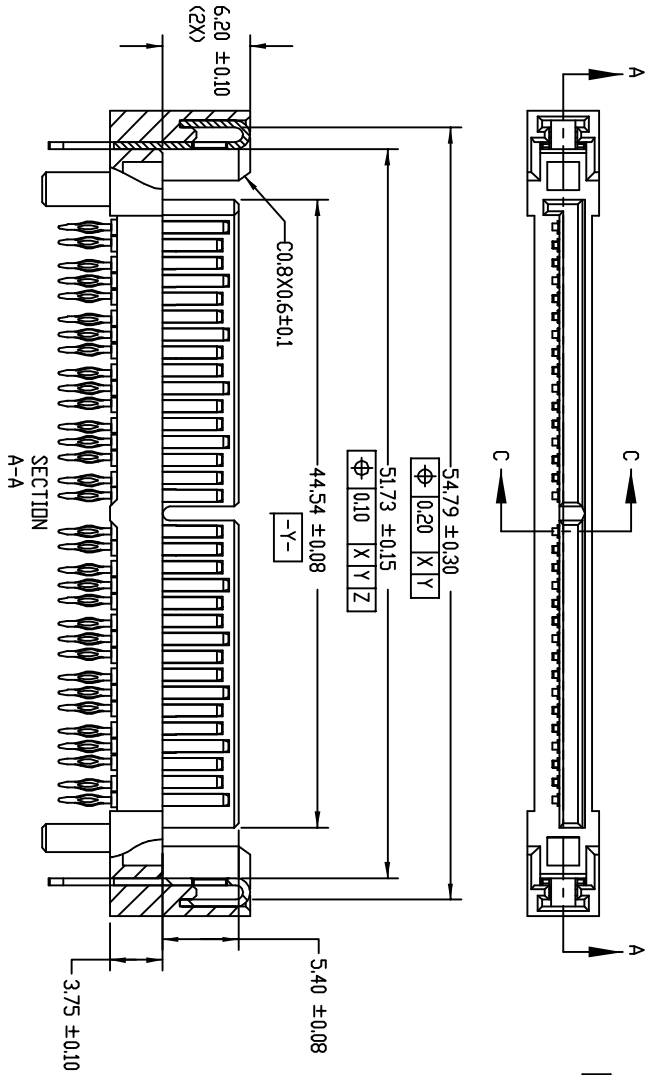
title	4 LANE VERTICAL PRESS FIT HEADER	Rev.	B
catalog no		CUSTOMER	10028542
		sheet	1 of 2



All rights strictly reserved. Reproduction or issue to third parties in any form whatever is not permitted without written authority from the proprietor.
Property of FCI. Copyright FCI.

Tous droits strictement reserves. Reproduction ou communication a des tiers interdite sous quelque forme que ce soit sans autorisation ecrite du proprietaire.
Propriete de c FCI. Droits de reproduction FCI.

PRODUCT NO.	PCB THICKNESS	DIMENSION 'A'	DIMENSION 'B'	DIMENSION 'C'	DIMENSION 'D'
10028542-001LF	1.57±0.10	2.75±0.20	3.20±0.10	3.65±0.10	1.43±0.10
10028542-002LF	3.18±0.10	4.35±0.20	4.80±0.10	3.65±0.10	1.43±0.10
10028542-003LF	1.57±0.10	2.75±0.20	3.20±0.10	2.10±0.10	0.79±0.10



RECOMMENDED PCB LAYOUT
(ALL TOLERANCES ARE ±0.05)

NOTES

- MATERIAL:
HOUSING: HIGH TEMPERATURE PLASTIC, BLACK OR GRAY, UL94V-0
CONTACT: COPPER ALLOY
HOLD DOWN: COPPER ALLOY
- FINISH:
1.27µm MIN NICKEL UNDERPLATE OVERALL,
1.91µm MIN TIN (LEAD-FREE) ON SOLDER TAIL,
0.75µm MIN GOLD IN CONTACT AREA
- THIS PRODUCT MEETS EUROPEAN UNION DIRECTIVES AND OTHER COUNTRY REGULATIONS AS DESCRIBED IN GS-22-008
- THE HOUSING WILL WITHSTAND EXPOSURE TO 260°C PEAK TEMPERATURE FOR 10 SECONDS IN A CONVECTION, INFRARED OR VAPOR PHASE REFLOW OVEN
- CONTACT W/P: 207 MIN FOR SIGNAL AND 252 MIN FOR GROUND

title	4 LANE VERTICAL PRESS FIT HEADER	Rev. B
catalog no	10028542	Sheet 2 of 2