

PLEASE CHECK WWW.MOLEX.COM FOR LATEST PART INFORMATION

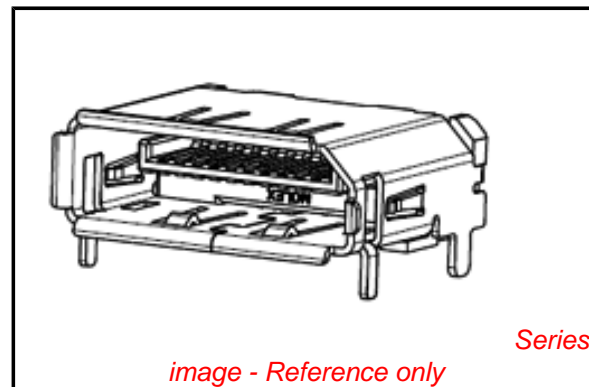
Part Number: [1050190001](#)
Status: **Active**
Overview: [displayport](#)
Description: 0.50mm (.020") Pitch DisplayPort* Male Receptacle, Right Angle, SMT, Reverse Type, 0.76µm (30µ") Gold (Au) Plating, 20 Circuits, without Peg,Leadfree

Documents:

[3D Model](#) [Product Specification PS-47272-001 \(PDF\)](#)
[Drawing \(PDF\)](#) [RoHS Certificate of Compliance \(PDF\)](#)

General

Product Family	I/O Connectors
Series	105019
Application	Wire-to-Board
Comments	Without Post
Component Type	Receptacle
Overview	displayport
Product Name	DisplayPort*
Type	N/A
Physical	
Boot Color	N/A
Circuits (Loaded)	20
Circuits (maximum)	20
Color - Resin	Black
Durability (mating cycles max)	10,000
Gender	Male
Keying to Mating Part	Yes
Lock to Mating Part	Yes
Material - Metal	Copper Alloy
Material - Plating Mating	Gold
Material - Plating Termination	Tin-Bismuth
Material - Resin	High Temperature Thermoplastic
Number of Rows	2
Orientation	Right Angle
PCB Locator	No
PCB Retention	Yes
PCB Thickness Recommended (in)	0.063 In
PCB Thickness Recommended (mm)	1.60 mm
Packaging Type	Embossed Tape on Reel
Panel Mount	Yes
Pitch - Mating Interface (in)	0.039 In
Pitch - Mating Interface (mm)	0.50 mm
Pitch - Term. Interface (in)	0.039 In
Pitch - Term. Interface (mm)	0.50 mm
Plating min: Mating (µin)	30
Plating min: Mating (µm)	0.76
Plating min: Termination (µin)	40
Plating min: Termination (µm)	1
Polarized to Mating Part	Yes
Polarized to PCB	Yes
Ports	1
Temperature Range - Operating	-20°C to +85°C
Termination Interface: Style	Surface Mount
Waterproof / Dustproof	No



EU RoHS

**ELV and RoHS
Compliant**
**REACH SVHC
Contains SVHC: No**
**Halogen-Free
Status**

China RoHS



**Need more information on product
environmental compliance?**

Email productcompliance@molex.com
 For a multiple part number RoHS Certificate of Compliance, [click here](#)

Please visit the [Contact Us](#) section for any non-product compliance questions.

Search Parts in this Series
[105019Series](#)

Electrical

Current - Maximum per Contact	0.5A
Grounding to Panel	Yes
Shield Type	Full Shield
Shielded	Yes
Voltage - Maximum	40V AC

Solder Process Data

Duration at Max. Process Temperature (seconds)	10
Lead-free Process Capability	Reflow Capable (SMT only)
Max. Cycles at Max. Process Temperature	1
Process Temperature max. C	250

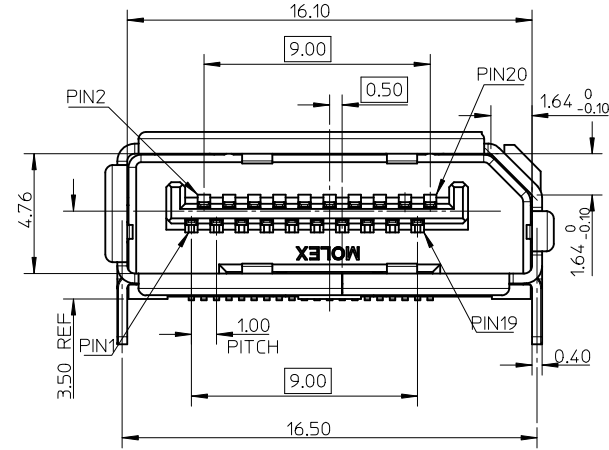
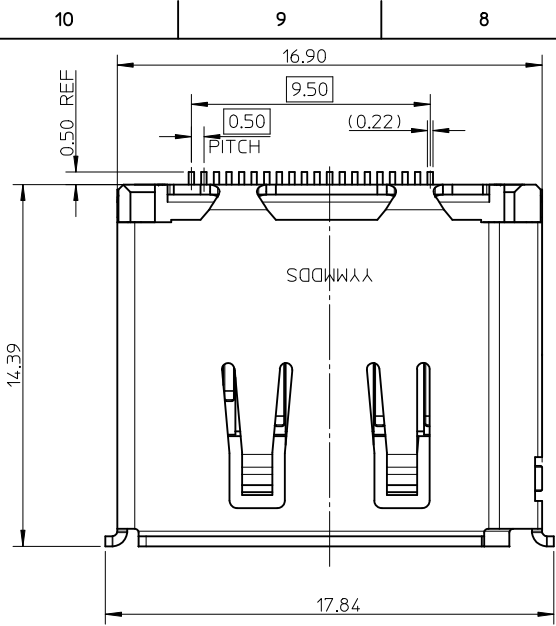
Material Info**Reference - Drawing Numbers**

Packaging Specification	PK-105019-001
Product Specification	PS-47272-001
Sales Drawing	SD-105019-001
Test Summary	TS-105019-001

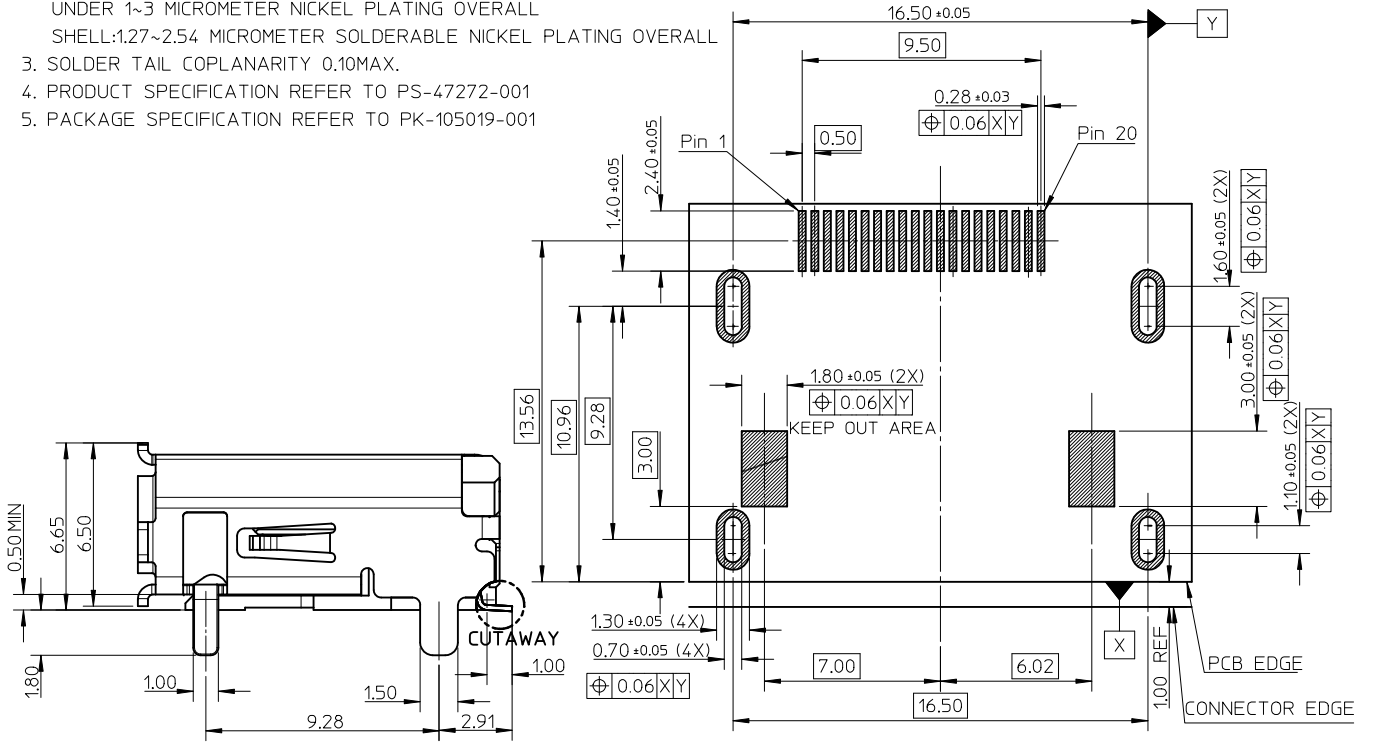
* DisplayPort is a Trademark of VESA

This document was generated on 05/31/2010

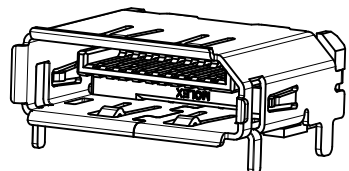
PLEASE CHECK WWW.MOLEX.COM FOR LATEST PART INFORMATION



- NOTES:
- MATERIAL:
 - HOUSING:HIGH TEMPERATURE THERMAL PLASTIC,BLACK,30 GLASS FILLED, UL94V-0.
 - TERMINAL:COPPER ALLOY.
 - SHELL:0.4MM THICKNESS COPPER ALLOY.
 - PLATING:
 - TERMINAL:CONTACT AREA : (1)0.76MICROMETER GOLD PLATING (2)GOLD FLASH PLATING AND SOLDER TAIL(a) 1~3MICROMETER TIN BISMUTH UNDER PLATING (b)GOLD FLSAH PLATING UNDER 1~3 MICROMETER NICKEL PLATING OVERALL
 - SHELL:1.27~2.54 MICROMETER SOLDERABLE NICKEL PLATING OVERALL
 - SOLDER TAIL COPLANARITY 0.10MAX.
 - PRODUCT SPECIFICATION REFER TO PS-47272-001
 - PACKAGE SPECIFICATION REFER TO PK-105019-001



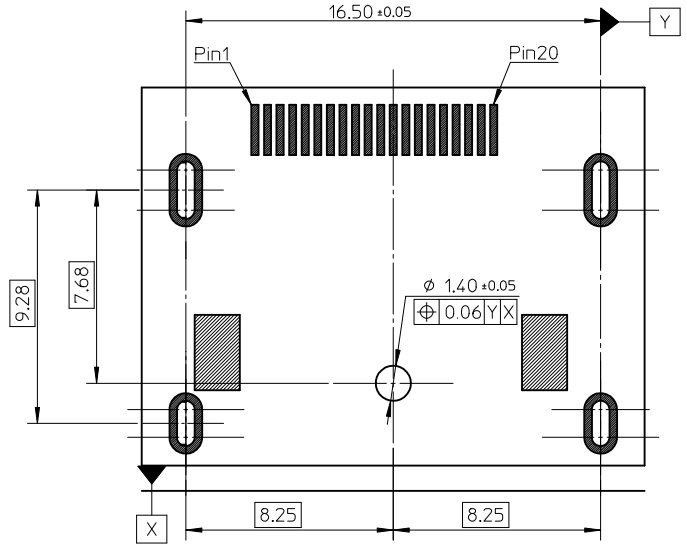
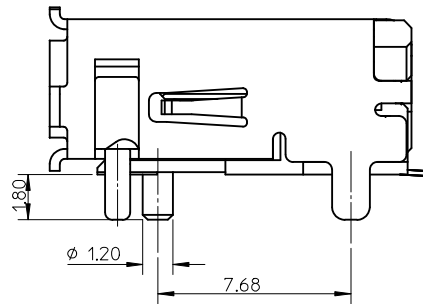
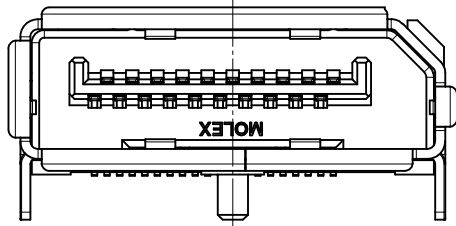
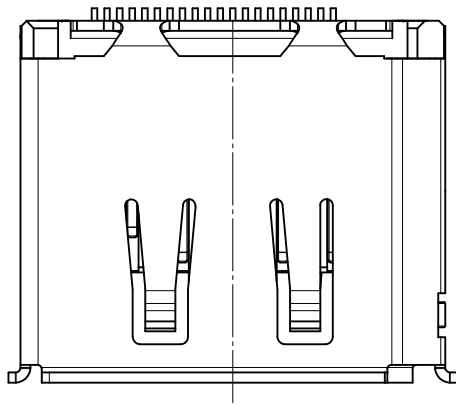
RECOMMENDED PCB LAYOUT(THICKNESS=1.6±0.15)



NEW RELEASE EC NO: SH2010-0188 DRW:HHH 2009/12/09 CHK:DFYANG05 2009/12/09 APPR:RZHANG 2009/12/29	QUALITY SYMBOLS 	GENERAL TOLERANCES (UNLESS SPECIFIED)		DIMENSION STYLE MM ONLY		SCALE 5:1	DESIGN UNITS METRIC	THIRD ANGLE PROJECTION	
		4 PLACES ± --- ± ---	3 PLACES ± --- ± ---	DRAWN BY HHE	DATE 2007/05/12	TITLE 1.0MM PITCH DISPLAY PORT REVERSE TYPE R/A RECEPTACLE-LEAD FREE-			
		2 PLACES ± 0.25 ± ---	1 PLACE ± 0.25 ± ---	CHECKED BY HWWANG	DATE 2007/05/12	MOLEX INCORPORATED			
		ANGULAR ± 2 °		APPROVED BY JNCHEN	DATE 2007/05/12	MATERIAL NO. SEE SHEET 2		DOCUMENT NO. SD-105019-001	SHEET NO. 1 OF 2
DRAFT WHERE APPLICABLE MUST REMAIN WITHIN DIMENSIONS		SIZE A3		THIS DRAWING CONTAINS INFORMATION THAT IS PROPRIETARY TO MOLEX INCORPORATED AND SHOULD NOT BE USED WITHOUT WRITTEN PERMISSION					

10 9 8 7 6 5 4 3 2 1

P/N	POST	PLATING ON CONTACT AREA	PLATING ON SOLDEING TAIL
105019-0001	WITHOUT	SEE NOTE 2(1)	SEE NOTE 2(a)
105019-0002	WITH	SEE NOTE 2(1)	SEE NOTE 2(a)
105019-0005	WITHOUT	SEE NOTE 2(2)	SEE NOTE 2(a)
105019-0006	WITH	SEE NOTE 2(2)	SEE NOTE 2(a)
105019-0007	WITHOUT	SEE NOTE 2(1)	SEE NOTE 2(b)



WITH POST

NOTES:
1. UNSPECIFIED DIMENSION ARE SAME AS SHEET1

NEW RELEASE EC NO: SH2010-0188 DRWN:HHE CHKD:FYANG05 APPR:RZHANG	2009/12/09 2009/12/09 2009/12/29	DESCRIPTION REV	QUALITY SYMBOLS	GENERAL TOLERANCES (UNLESS SPECIFIED)	DIMENSION STYLE	SCALE	DESIGN UNITS	THIRD ANGLE PROJECTION
			$\nabla=0$ $\sphericalangle=0$	mm INCH 4 PLACES ± --- ± --- 3 PLACES ± --- ± --- 2 PLACES ± 0.25 ± --- 1 PLACE ± 0.25 ± --- ANGULAR ± 2 °	MM ONLY	5:1	METRIC	
			DRAFT WHERE APPLICABLE MUST REMAIN WITHIN DIMENSIONS	DRAWN BY: HHE DATE: 2007/05/12 CHECKED BY: HWWANG DATE: 2007/05/12 APPROVED BY: JNCHEN DATE: 2007/05/12 MATERIAL NO. SEE CHART	TITLE	1.0MM PITCH DISPLAY PORT REVERSE TYPE R/A RECEPTACLE-LEAD FREE- MOLEX INCORPORATED		
					SIZE: A3	THIS DRAWING CONTAINS INFORMATION THAT IS PROPRIETARY TO MOLEX INCORPORATED AND SHOULD NOT BE USED WITHOUT WRITTEN PERMISSION		DOCUMENT NO. SD-105019-001

9 8 7 6 5 4 3 2 1