

PLEASE CHECK WWW.MOLEX.COM FOR LATEST PART INFORMATION

Part Number: [1300550014](#)
Status: **Active**
Overview: [brad industrial ethernet products](#)
Description: Ethernet Pass Thru RJ11 Female Receptacle Shielded

Documents:

[Drawing \(PDF\)](#) [RoHS Certificate of Compliance \(PDF\)](#)

General

Product Family	Industrial Receptacles
Series	130055
IP Rating	IP67
Overview	brad industrial ethernet products
Product Name	RJ11
Type	Bulkhead Feed-Through

Physical

Coupling Type	External Thread
Gender	N/A
Keyway	None
Length	N/A
Material - Component	ABS
Mounting Thread Size	1" - 14 UNC
Orientation	Straight
Panel Mount	N/A
Poles	N/A
Temperature Range - Operating	-20°C to +80°C
Wire Size AWG	N/A
Wire/Cable Type	N/A

Electrical

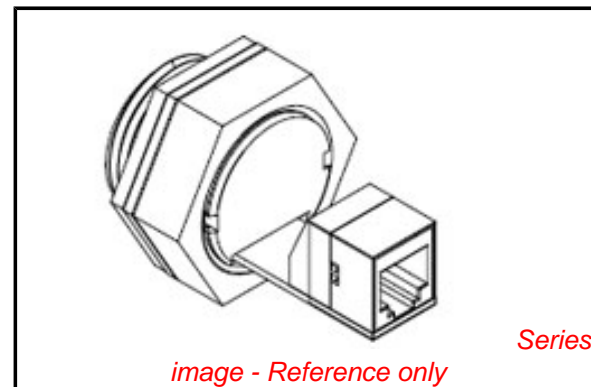
Current - Maximum per Contact	1.5A
Voltage - Maximum	125V DC

Material Info

Old Part Number	ENSP6F5
-----------------	---------

Reference - Drawing Numbers

Sales Drawing	SD-130055-004
---------------	---------------



EU RoHS

**ELV and RoHS
Compliant**
**REACH SVHC
Not Reviewed**
**Halogen-Free
Status
Not Reviewed**

China RoHS



**Need more information on product
environmental compliance?**

Email productcompliance@molex.com
 For a multiple part number RoHS Certificate of
 Compliance, [click here](#)

Please visit the [Contact Us](#) section for any
 non-product compliance questions.

Search Parts in this Series
[130055Series](#)

6

5

4

3

2

1

MATERIAL
NUMBERENGINEERING
NUMBER

1300550014

ENSP6F5

NOTES:

1) MATERIAL: SEE TABLE
 2) FINISHES: SEE TABLE
 3) ELECTRICAL DATA:
 VOLTAGE RATING: 125V DC
 CURRENT RATING: 1.5A
 4) ENVIRONMENTAL:
 PROTECTION IP67
 OPERATING TEMPERATURE RANGE: -20C TO 80C

ITEM	QTY.	DESCRIPTION	MATERIAL	FINISH
4	1	LOCK NUT	LNP, AF-1002BK8-115	BLACK
3	1	O-RING	VITON	BROWN
2	1	GASKET	NITRILE	BLACK
1	1	RECEPTACLE HOUSING	SABIC ABS FR15U	BLACK

RELEASE EC NO: WNA2010-0438 DRWN: TWOLDEGE 2010/01/19 CHKD: BWOODMAN APPR: JFMURPHY 2010/01/25	QUALITY SYMBOLS	GENERAL TOLERANCES (UNLESS SPECIFIED)	DIMENSION STYLE	SCALE	DESIGN UNITS	THIRD ANGLE PROJECTION
	▽=0		IN/MM	1:1	INCH	
	∇=0		DRAWN BY	DATE	TITLE	
			CHECKED BY	DATE		
		APPROVED BY	DATE	MOLEX INCORPORATED		
		MATERIAL NO.	SEE CHART	DOCUMENT NO.	SD-130055-004	SHEET NO. 1 OF 1
		SIZE	A	THIS DRAWING CONTAINS INFORMATION THAT IS PROPRIETARY TO MOLEX INCORPORATED AND SHOULD NOT BE USED WITHOUT WRITTEN PERMISSION		

mm	INCH
4 PLACES ±---	±---
3 PLACES ±---	±.005
2 PLACES ±0.13	±.010
1 PLACE ±0.25	±.020
ANGULAR ±1/2°	
DRAFT WHERE APPLICABLE MUST REMAIN WITHIN DIMENSIONS	

ETHERNET PASS THRU RJ11 FEMALE RECEPTACLE SHIELDED PASS THRU
MOLEX INCORPORATED
SD-130055-004

ETHERNET PASS THRU RJ11 FEMALE RECEPTACLE SHIELDED PASS THRU
MOLEX INCORPORATED
SD-130055-004

6

5

4

3

2

1