

PLEASE CHECK WWW.MOLEX.COM FOR LATEST PART INFORMATION

Part Number: [5010130820](#)
Status: **Active**
Description: PowerCat™ 5e Modular Jack Adapter Assembly, Vertical, with Shutter, 8/8, for Internet Printing, with Cover

Documents:

[Drawing \(PDF\)](#) [RoHS Certificate of Compliance \(PDF\)](#)
[Product Specification PS-501013-001 \(PDF\)](#)

General

Product Family	Modular Jacks/Plugs
Series	501013
Component Type	Wire Jack
Magnetic	No
Performance Category	5e
Power over Ethernet (PoE)	N/A
Product Name	Datagate™, PowerCat™, RJ45

Physical

Color - Resin	White
Durability (mating cycles max)	200
Inverted / Top Latch	N/A
Keying to Mating Part	Yes
Lightpipes/LEDs	None
Material - Metal	Copper Alloy
Material - Plating Mating	Gold
Material - Plating Termination	Gold
Material - Resin	ABS, Polycarbonate
Orientation	Vertical (Top Entry)
PCB Retention	N/A
Packaging Type	Bag
Panel Mount	Yes
Ports	1
Positions / Loaded Contacts	8/8
Temperature Range - Operating	N/A
Termination Interface: Style	N/A
Waterproof / Dustproof	No
Wire/Cable Type	CAT 5

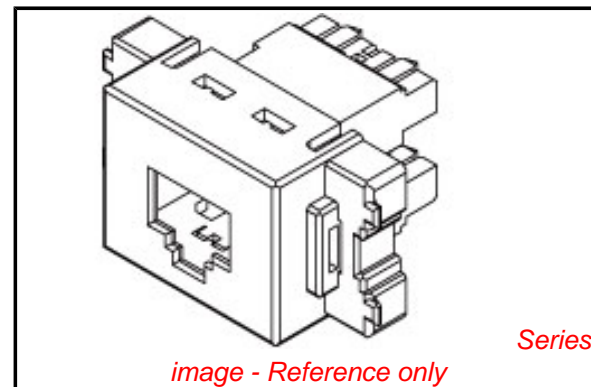
Electrical

Current - Maximum per Contact	1.2A
Shielded	Yes
Voltage - Maximum	1000V

Material Info

Reference - Drawing Numbers

Product Specification	PS-501013-001
Sales Drawing	SD-501013-003



EU RoHS

ELV and RoHS Compliant
REACH SVHC
 Not Reviewed
Halogen-Free Status
 Not Reviewed

China RoHS



Need more information on product environmental compliance?

Email productcompliance@molex.com
 For a multiple part number RoHS Certificate of Compliance, [click here](#)

Please visit the [Contact Us](#) section for any non-product compliance questions.

Search Parts in this Series
[501013Series](#)

10 9 8 7 6 5 4 3 2 1

F

E

D

C

B

A

F

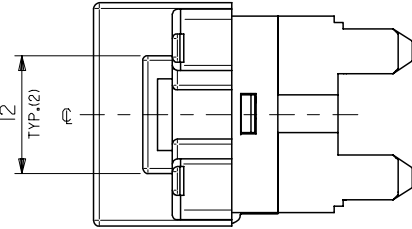
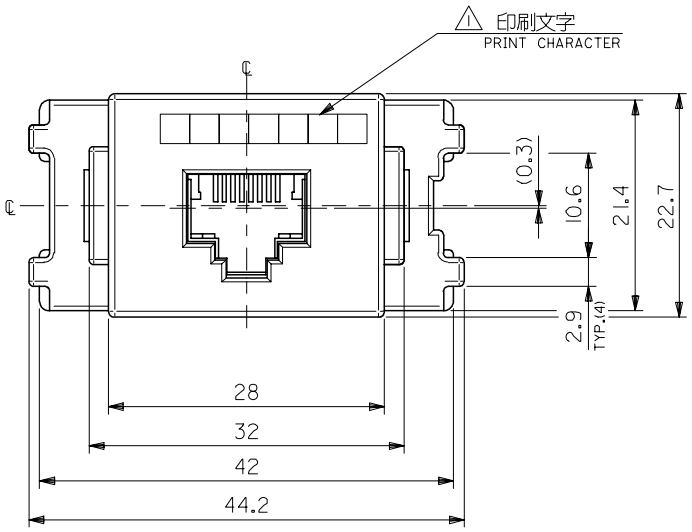
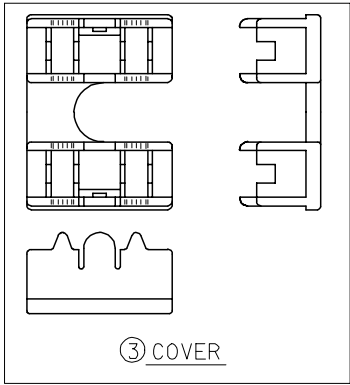
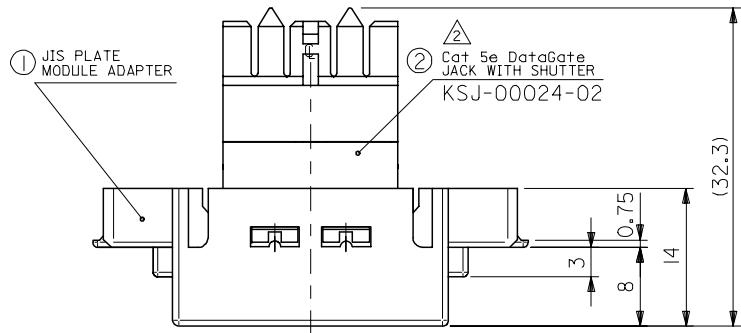
E

D

C

B

A



注記
NOTES

- △ 印刷文字の色調 : グレー
CHARACTER TO BE COLOR: GRAY
- △ 詳細は、CD-KSJ-00024-XX 図面を参照して下さい。
DETAILS IS REFER TO DRAWING No. CD-KSJ-00024-XX.

///	ポリカーボネイト, UL94V-0, 色 透明色 POLYCARBONATE, UL94V-0 COLOR: CLEAR	③	COVER	501013-0820
CONTACT: 金メッキ 1.27 マイクロメートル ニッケルメッキ 2.54 マイクロメートル (下地メッキ) CONTACT: 1.27 MICRO METER GOLD OVER 2.54 MICRO METER NICKEL	ハウジング: ポリカーボネイト, UL94V-0, 色 白 HOUSING: POLYCARBONATE, UL94V-0 COLOR: WHITE CONTACT: 銅合金 CONTACT: COPPER ALLOY	②	Cat 5e DataGate JACK WITH SHUTTER	
///	ABS樹脂, ガラス無し, UL94V-2, 色 アイボリー ABS, NON GLASS FILLED, UL94V-2 COLOR: IVORY	①	JIS PLATE MODULE ADAPTER	
仕上げ FINISH	材質 MATERIAL	項番 No.	構成部品名称 PARTS CONSTRUCTION TITLE	製品番号 MATERIAL No.

RELEASED EC NO: J2006-0715 DRWN:MTAKEMOTO 2005/09/02 CHKD:MTANAKA 2005/09/02 APPR:NUKITA 2005/09/02	GENERAL TOLERANCES (UNLESS SPECIFIED)		DIMENSION STYLE MM ONLY		SCALE 2:1	DESIGN UNITS METRIC	THIRD ANGLE PROJECTION
	10 UNDER	±0.2	DRAWN BY MTAKEMOTO	DATE 2005/07/22	TITLE MODULE ADAPTER ASS'Y -INTERNET-		
	10 OVER 30 UNDER	±0.25	CHECKED BY MTANAKA	DATE 2005/07/22			
	30 OVER	±0.3	APPROVED BY NUKITA	DATE 2005/07/22	MOLEX INCORPORATED		
ANGULAR	±3 °	MATERIAL NO.	DOCUMENT NO. SD-501013-003	SHEET NO. 1 OF 1			
0	DESCRIPTION	DRAFT WHERE APPLICABLE MUST REMAIN WITHIN DIMENSIONS		SIZE A3	THIS DRAWING CONTAINS INFORMATION THAT IS PROPRIETARY TO MOLEX INCORPORATED AND SHOULD NOT BE USED WITHOUT WRITTEN PERMISSION		