

# Common Mode Choke

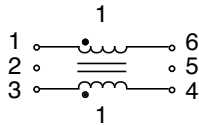
## EPA3091

- LAN and Telecom Applications •
- 100 KHz to 500 MHz Frequency Range •
- For EMI Suppression •

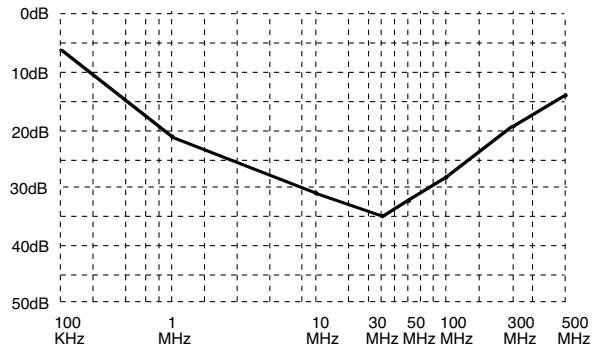
### Electrical Parameters @ 25° C

Primary Inductance ( $\mu$ H Min.)	Number of Lines	DCR ( $\Omega$ Max.)	Hipot (Vrms)
@ 100 KHz, 20m Vrms			
47	2	0.4	500

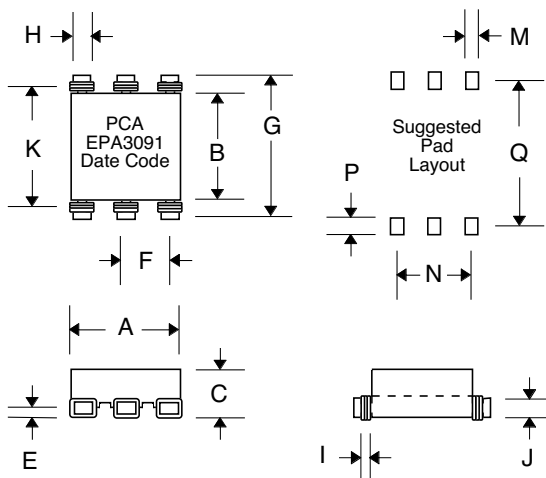
### Schematic



### Typical Common Mode Attenuation



### Package



Coplanarity :  $\pm .004$  Max. for 4 pins only.  
Pins 2 & 5 not connected.

### Dimensions

Dim.	(Inches)			(Millimeters)		
	Min.	Max.	Nom.	Min.	Max.	Nom.
A	.240	.260	.250	6.10	6.60	6.35
B	.250	.270	.260	6.35	6.86	6.60
C	.080	.098	.090	2.03	2.49	2.29
D	---	---	.200	---	---	5.08
E	.015	.030	.023	.381	.762	.584
F	---	---	.100	---	---	2.54
G	---	---	.340	---	---	8.64
H	---	---	.040	---	---	1.02
I	.010	.030	.020	.254	.762	.508
J	---	---	.040	---	---	1.02
K	---	---	.300	---	---	7.62
M	---	---	.070	---	---	1.79
N	---	---	.200	---	---	5.08
P	---	---	.050	---	---	1.27
Q	---	---	.270	---	---	6.86