

# RD74LVC139B

## Dual 2-to-4-line Decoders / Demultiplexers

REJ03D0503-0100

Rev.1.00

Dec. 02, 2004

### Description

The RD74LVC139B has two independent two-to-four-line decoders each with a single active low enable input in a 16 pin package. Data on the select inputs cause one of the four normally high outputs to go low. Low voltage and high-speed operation is suitable at the battery drive product (note type personal computer) and low power consumption extends the life of a battery for long time operation.

### Features

- $V_{CC} = 1.65 \text{ V to } 5.5 \text{ V}$
- All inputs  $V_{IH} (\text{Max.}) = 5.5 \text{ V} (@V_{CC} = 0 \text{ V to } 5.5 \text{ V})$
- Typical  $V_{OL}$  ground bounce  $< 0.8 \text{ V} (@V_{CC} = 3.3 \text{ V}, T_a = 25^\circ\text{C})$
- Typical  $V_{OH}$  undershoot  $> 2.0 \text{ V} (@V_{CC} = 3.3 \text{ V}, T_a = 25^\circ\text{C})$
- High output current
  - $\pm 4 \text{ mA} (@V_{CC} = 1.65 \text{ V})$
  - $\pm 8 \text{ mA} (@V_{CC} = 2.3 \text{ V})$
  - $\pm 12 \text{ mA} (@V_{CC} = 2.7 \text{ V})$
  - $\pm 24 \text{ mA} (@V_{CC} = 3.0 \text{ V to } 5.5 \text{ V})$
- Ordering Information

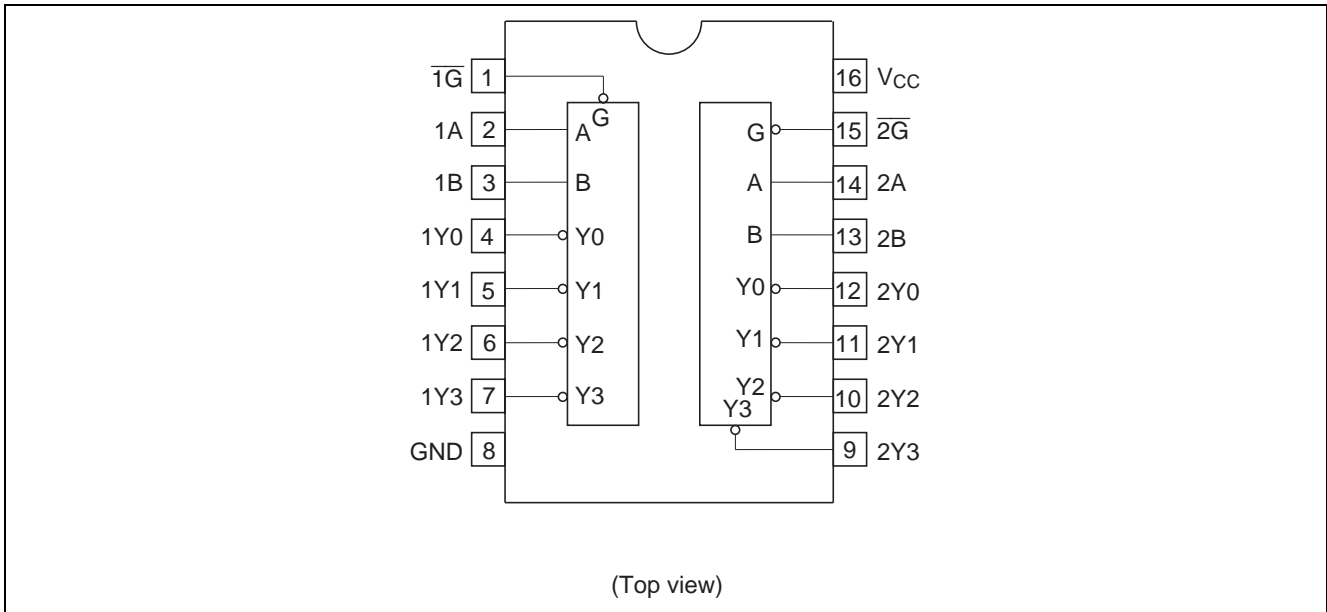
Part Name	Package Type	Package Code	Package Abbreviation	Taping Abbreviation (Quantity)
RD74LVC139BFPEL	SOP-16 pin (JEITA)	FP-16DAV	FP	EL (2,000 pcs/reel)
RD74LVC139BTELL	TSSOP-16 pin	TTP-16DAV	T	ELL (2,000 pcs/reel)

### Function Table

Input			Outputs			
Enable	Select					
G	B	A	Y0	Y1	Y2	Y3
H	X	X	H	H	H	H
L	L	L	L	H	H	H
L	L	H	H	L	H	H
L	H	L	H	H	L	H
L	H	H	H	H	H	L

H: High level  
 L: Low level  
 X: Immaterial

## Pin Arrangement



## Absolute Maximum Ratings

Item	Symbol	Ratings	Unit	Conditions
Supply voltage	$V_{CC}$	-0.5 to 7.0	V	
Input diode current	$I_{IK}$	-50	mA	$V_I = -0.5\text{ V}$
Input voltage	$V_I$	-0.5 to 7.0	V	
Output diode current	$I_{OK}$	-50	mA	$V_O = -0.5\text{ V}$
		50		$V_O = V_{CC} + 0.5\text{ V}$
Output voltage	$V_O$	-0.5 to $V_{CC} + 0.5$	V	
Output current	$I_O$	$\pm 50$	mA	
$V_{CC}$ , GND current / pin	$I_{CC}$ or $I_{GND}$	100	mA	
Storage temperature	$T_{stg}$	-65 to 150	$^{\circ}\text{C}$	

Note: The absolute maximum ratings are values, which must not individually be exceeded, and furthermore, no two of which may be realized at the same time.

## Recommended Operating Conditions

Item	Symbol	Ratings	Unit	Conditions
Supply voltage	$V_{CC}$	1.5 to 5.5	V	Data retention
		1.65 to 5.5		At operation
Input / output voltage	$V_I$	0 to 5.5	V	$\bar{G}$ , A, B
	$V_O$	0 to $V_{CC}$	V	Y0 to Y3
Operating temperature	$T_a$	-40 to 85	°C	
Output current	$I_{OH}$	-4	mA	$V_{CC} = 1.65\text{ V}$
		-8		$V_{CC} = 2.3\text{ V}$
		-12		$V_{CC} = 2.7\text{ V}$
		-24		$V_{CC} = 3.0\text{ V to }5.5\text{ V}$
	$I_{OL}$	4	mA	$V_{CC} = 1.65\text{ V}$
		8		$V_{CC} = 2.3\text{ V}$
		12		$V_{CC} = 2.7\text{ V}$
		24		$V_{CC} = 3.0\text{ V to }5.5\text{ V}$
Input rise / fall time <sup>*1</sup>	$t_r, t_f$	20	ns/V	$V_{CC} = 1.65\text{ V to }2.7\text{ V}$
		10		$V_{CC} = 3.0\text{ V to }5.5\text{ V}$

Notes: 1. This item guarantees maximum limit when one input switches.

Waveform: Refer to test circuit of switching characteristics.

## Electrical Characteristics

Item	Symbol	V <sub>CC</sub> (V)	Ta = -40 to 85°C		Unit	Test Conditions
			Min	Max		
Input voltage	V <sub>IH</sub>	1.65 to 1.95	V <sub>CC</sub> ×0.65	—	V	
		2.3 to 2.7	1.7	—		
		2.7 to 3.6	2.0	—		
		4.5 to 5.5	V <sub>CC</sub> ×0.7	—		
	V <sub>IL</sub>	1.65 to 1.95	—	V <sub>CC</sub> ×0.35	V	
		2.3 to 2.7	—	0.7		
		2.7 to 3.6	—	0.8		
		4.5 to 5.5	—	V <sub>CC</sub> ×0.3		
Output voltage	V <sub>OH</sub>	1.65 to 5.5	V <sub>CC</sub> - 0.2	—	V	I <sub>OH</sub> = -100 μA
		1.65	1.2	—		I <sub>OH</sub> = -4 mA
		2.3	1.7	—		I <sub>OH</sub> = -8 mA
		2.7	2.2	—		I <sub>OH</sub> = -12 mA
		3.0	2.4	—		I <sub>OH</sub> = -24 mA
		3.0	2.2	—		
		4.5	3.8	—		
	V <sub>OL</sub>	1.65 to 5.5	—	0.2	V	I <sub>OL</sub> = 100 μA
		1.65	—	0.45		I <sub>OL</sub> = 4 mA
		2.3	—	0.7		I <sub>OL</sub> = 8 mA
		2.7	—	0.4		I <sub>OL</sub> = 12 mA
		3.0	—	0.55		I <sub>OL</sub> = 24 mA
		4.5	—	0.55		
		Input current	I <sub>IN</sub>	0 to 5.5		—
Quiescent supply current	I <sub>CC</sub>	2.7 to 3.6	—	±5.0	μA	V <sub>IN</sub> = 3.6 V to 5.5 V
		2.7 to 5.5	—	5.0		V <sub>IN</sub> = V <sub>CC</sub> or GND
	ΔI <sub>CC</sub>	2.7 to 3.6	—	500	μA	V <sub>IN</sub> = one input at (V <sub>CC</sub> - 0.6)V, other inputs at V <sub>CC</sub> or GND

## Switching Characteristics

Item	Symbol	V <sub>CC</sub> (V)	Ta = -40 to 85°C			Unit	From (Input)	To (Output)
			Min	Typ	Max			
Propagation delay time	t <sub>PLH</sub>	1.8±0.15	1.0	—	20.6	ns	A, B	Y0 to Y3
		2.5±0.2	1.0	—	9.3			
		2.7	1.0	—	7.3			
		3.3±0.3	1.0	—	6.2			
		5.0±0.5	1.0	—	5.5			
	t <sub>PHL</sub>	1.8±0.15	1.0	—	19.5	ns	$\bar{G}$	Y0 to Y3
		2.5±0.2	1.0	—	7.2			
		2.7	1.0	—	5.2			
		3.3±0.3	1.0	—	4.7			
		5.0±0.5	1.0	—	4.5			
Output skew between pins*1	t <sub>OSLH</sub>	1.8±0.15	—	—	—	ns		
		2.5±0.2	—	—	—			
	2.7	—	—	—				
	3.3±0.3	—	—	1.0				
	5.0±0.5	—	—	1.0				
	t <sub>OSHL</sub>	—	—	—	—			

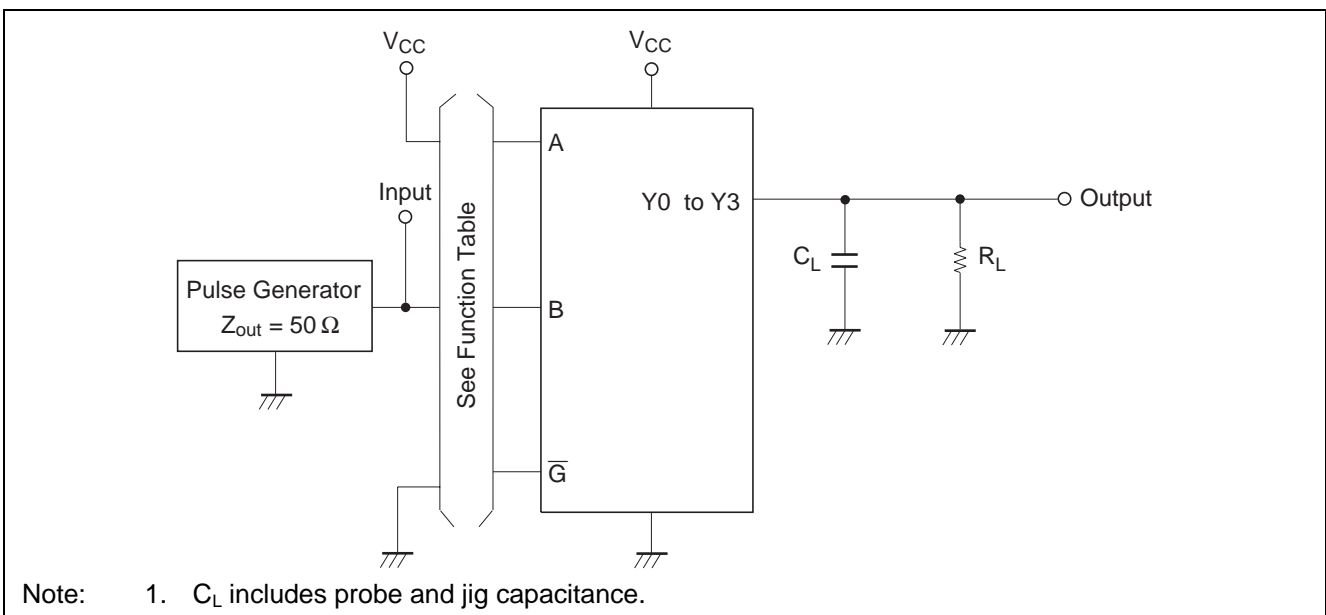
Note: 1. This parameter is characterized but not tested.

$$t_{OSLH} = |t_{PLHm} - t_{PLHn}|, t_{OSHL} = |t_{PHLm} - t_{PHLn}|$$

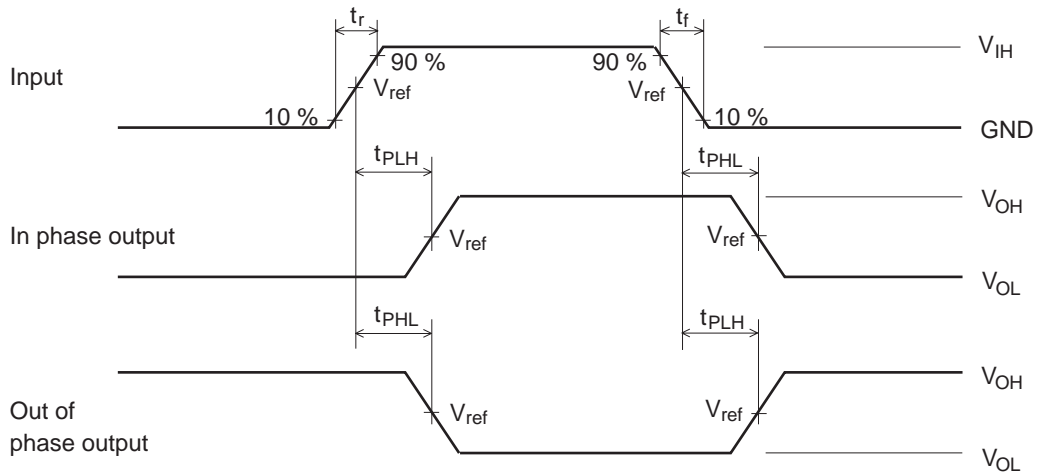
## Operating Characteristics

Item	Symbol	V <sub>CC</sub> = (V)	Ta = 25°C			Unit	Test Conditions
			Min	Typ	Max		
Power dissipation capacitance	C <sub>PD</sub>	1.8	—	28	—	pF	f = 10 MHz
		2.5	—	29	—		
		3.3	—	30	—		
		5.0	—	32	—		

## Test Circuit



Waveforms

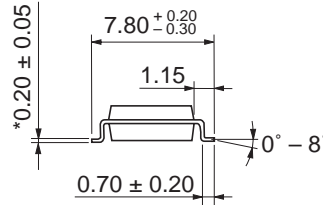
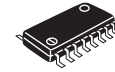
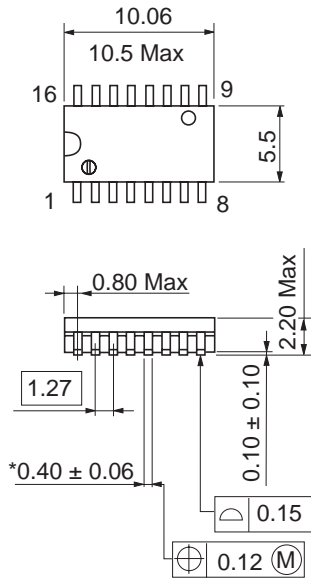


V <sub>CC</sub> (V)	INPUTS		V <sub>ref</sub>	C <sub>L</sub>	R <sub>L</sub>
	V <sub>IH</sub>	t <sub>r</sub> /t <sub>f</sub>			
V <sub>CC</sub> = 1.8±0.15 V	V <sub>CC</sub>	≤ 2 ns	1/2 V <sub>CC</sub>	30 pF	1.0 kΩ
V <sub>CC</sub> = 2.5±0.2 V	V <sub>CC</sub>	≤ 2 ns	1/2 V <sub>CC</sub>	30 pF	500 Ω
V <sub>CC</sub> = 2.7 V	2.7 V	≤ 2.5 ns	1.5 V	50 pF	500 Ω
V <sub>CC</sub> = 3.3±0.3 V	2.7 V	≤ 2.5 ns	1.5 V	50 pF	500 Ω
V <sub>CC</sub> = 5.0±0.5 V	V <sub>CC</sub>	≤ 2.5 ns	1/2 V <sub>CC</sub>	50 pF	500 Ω

Note: 1. Input waveform: PRR = 10 MHz, duty cycle 50%

Package Dimensions

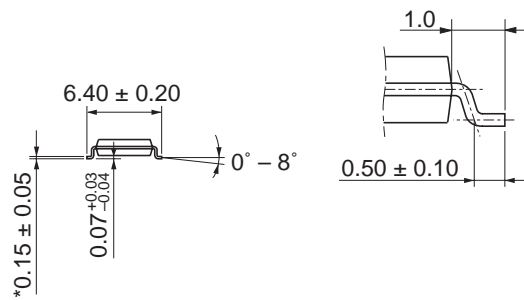
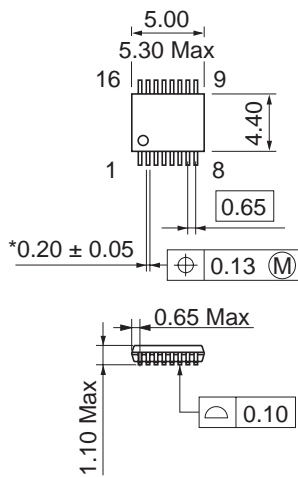
As of January, 2003  
Unit: mm



\*Ni/Pd/Au plating

Package Code	FP-16DAV
JEDEC	—
JEITA	Conforms
Mass (reference value)	0.24 g

As of January, 2003  
Unit: mm



\*Ni/Pd/Au plating

Package Code	TTP-16DAV
JEDEC	—
JEITA	—
Mass (reference value)	0.05 g

## Renesas Technology Corp. Sales Strategic Planning Div. Nippon Bldg., 2-6-2, Ohte-machi, Chiyoda-ku, Tokyo 100-0004, Japan

---

Keep safety first in your circuit designs!

1. Renesas Technology Corp. puts the maximum effort into making semiconductor products better and more reliable, but there is always the possibility that trouble may occur with them. Trouble with semiconductors may lead to personal injury, fire or property damage.  
Remember to give due consideration to safety when making your circuit designs, with appropriate measures such as (i) placement of substitutive, auxiliary circuits, (ii) use of nonflammable material or (iii) prevention against any malfunction or mishap.

Notes regarding these materials

1. These materials are intended as a reference to assist our customers in the selection of the Renesas Technology Corp. product best suited to the customer's application; they do not convey any license under any intellectual property rights, or any other rights, belonging to Renesas Technology Corp. or a third party.
  2. Renesas Technology Corp. assumes no responsibility for any damage, or infringement of any third-party's rights, originating in the use of any product data, diagrams, charts, programs, algorithms, or circuit application examples contained in these materials.
  3. All information contained in these materials, including product data, diagrams, charts, programs and algorithms represents information on products at the time of publication of these materials, and are subject to change by Renesas Technology Corp. without notice due to product improvements or other reasons. It is therefore recommended that customers contact Renesas Technology Corp. or an authorized Renesas Technology Corp. product distributor for the latest product information before purchasing a product listed herein.  
The information described here may contain technical inaccuracies or typographical errors.  
Renesas Technology Corp. assumes no responsibility for any damage, liability, or other loss rising from these inaccuracies or errors.  
Please also pay attention to information published by Renesas Technology Corp. by various means, including the Renesas Technology Corp. Semiconductor home page (<http://www.renesas.com>).
  4. When using any or all of the information contained in these materials, including product data, diagrams, charts, programs, and algorithms, please be sure to evaluate all information as a total system before making a final decision on the applicability of the information and products. Renesas Technology Corp. assumes no responsibility for any damage, liability or other loss resulting from the information contained herein.
  5. Renesas Technology Corp. semiconductors are not designed or manufactured for use in a device or system that is used under circumstances in which human life is potentially at stake. Please contact Renesas Technology Corp. or an authorized Renesas Technology Corp. product distributor when considering the use of a product contained herein for any specific purposes, such as apparatus or systems for transportation, vehicular, medical, aerospace, nuclear, or undersea repeater use.
  6. The prior written approval of Renesas Technology Corp. is necessary to reprint or reproduce in whole or in part these materials.
  7. If these products or technologies are subject to the Japanese export control restrictions, they must be exported under a license from the Japanese government and cannot be imported into a country other than the approved destination.  
Any diversion or reexport contrary to the export control laws and regulations of Japan and/or the country of destination is prohibited.
  8. Please contact Renesas Technology Corp. for further details on these materials or the products contained therein.
- 



### RENESAS SALES OFFICES

<http://www.renesas.com>

Refer to "<http://www.renesas.com/en/network>" for the latest and detailed information.

#### **Renesas Technology America, Inc.**

450 Holger Way, San Jose, CA 95134-1368, U.S.A  
Tel: <1> (408) 382-7500, Fax: <1> (408) 382-7501

#### **Renesas Technology Europe Limited**

Dukes Meadow, Millboard Road, Bourne End, Buckinghamshire, SL8 5FH, U.K.  
Tel: <44> (1628) 585-100, Fax: <44> (1628) 585-900

#### **Renesas Technology Hong Kong Ltd.**

7th Floor, North Tower, World Finance Centre, Harbour City, 1 Canton Road, Tsimshatsui, Kowloon, Hong Kong  
Tel: <852> 2265-6688, Fax: <852> 2730-6071

#### **Renesas Technology Taiwan Co., Ltd.**

10th Floor, No.99, Fushing North Road, Taipei, Taiwan  
Tel: <886> (2) 2715-2888, Fax: <886> (2) 2713-2999

#### **Renesas Technology (Shanghai) Co., Ltd.**

Unit2607 Ruijing Building, No.205 Maoming Road (S), Shanghai 200020, China  
Tel: <86> (21) 6472-1001, Fax: <86> (21) 6415-2952

#### **Renesas Technology Singapore Pte. Ltd.**

1 Harbour Front Avenue, #06-10, Keppel Bay Tower, Singapore 098632  
Tel: <65> 6213-0200, Fax: <65> 6278-8001