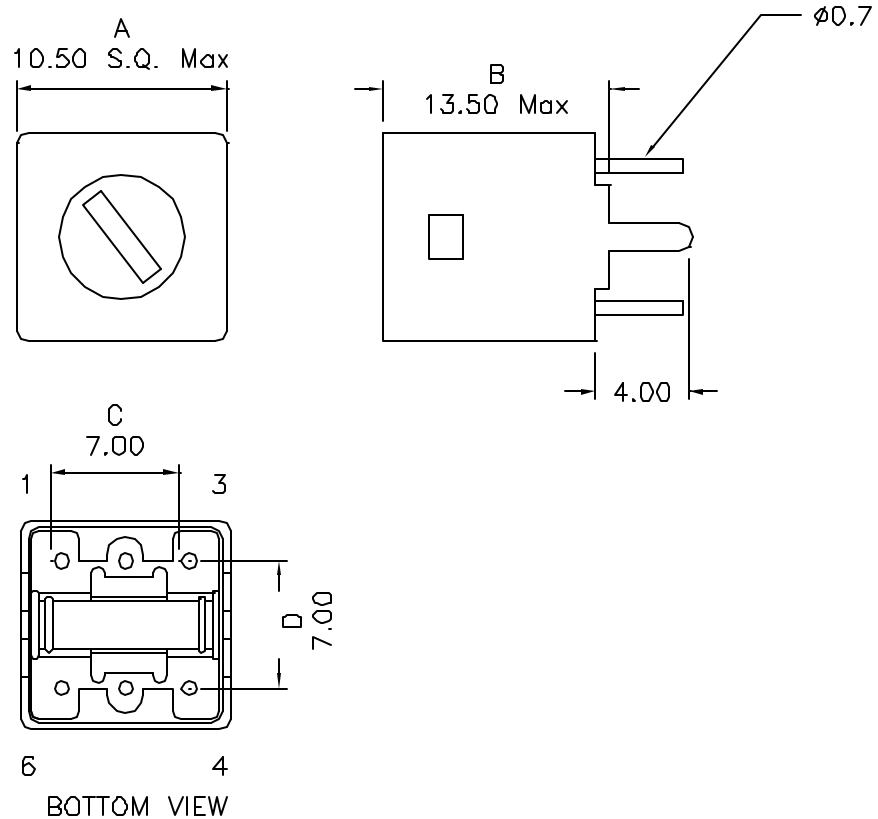


1. Mechanical Dimensions:



3. Electrical Specifications: @25°C

OCL: 0.22uH ±6% @75.0MHz
 Q: 60 Min @75.0MHz

Note:

1. Solderability: Leads shall meet MIL-STD-202, Method 208D for solderability.
2. Flammability: UL94V-0,
3. ASTM oxygen index: > 28% ,
4. Temperature rating: 155°C. UL file E151556,
5. Operating Temperature Range: 0°C to +70°C

DOC REV A/1

XFMRs Inc.	Title: Tunable Coil		
	UNLESS OTHERWISE SPECIFIED	P/N: XF101013-1046	REV. A
TOLERANCES: .xx ±0.25 Dimensions in MM	DWN.	李小锋	Jun-03-04
	CHK.	廖玉坤	Jun-03-04
SHEET 1 OF 1	APP.	J Ng	Jun-03-04