

**PLEASE CHECK WWW.MOLEX.COM FOR LATEST PART INFORMATION**

**Part Number:** [0170031572](#)  
**Status:** **Active**  
**Description:** 5mm Stainless Steel Metal Dome, Actuation Force 170+/-40gf(2.06-1.27N)  
**Replacement Part Number:** NONE

**Documents:**

[Drawing \(PDF\)](#) [RoHS Certificate of Compliance \(PDF\)](#)  
[Product Specification PS-17003-001 \(PDF\)](#)

**General**

Product Family	Accessories
Series	<a href="#">68523</a>
Component Type	Metal Dome
Product Name	N/A
Replacement Part Number	NONE

**Physical**

Circuits (Loaded)	1
Gender	N/A
Packaging Type	Bag
Temperature Range - Operating	-25°C to +70°C

**Electrical**

Current - Maximum per Contact	0.1A
-------------------------------	------

**Material Info**

**Reference - Drawing Numbers**

Product Specification	PS-17003-001
Sales Drawing	SD-17003-001



Series

image - Reference only

**EU RoHS**

**ELV and RoHS  
Compliant**  
**REACH SVHC  
Not Reviewed**  
**Halogen-Free  
Status**

**China RoHS**



**Need more information on product  
environmental compliance?**

Email [productcompliance@molex.com](mailto:productcompliance@molex.com)  
 For a multiple part number RoHS Certificate of Compliance, [click here](#)

Please visit the [Contact Us](#) section for any non-product compliance questions.

**Search Parts in this Series**

[68523Series](#)

**Use With**

Keypad used in Telecommunications and Consumer Electronics

7 6 5 4 3 2 1

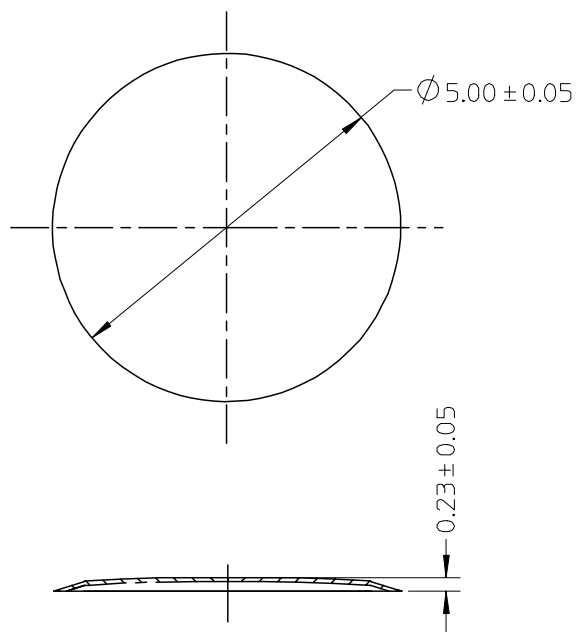
E

D

C

B

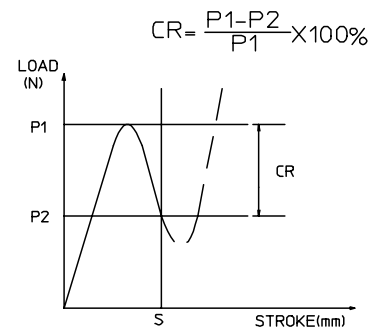
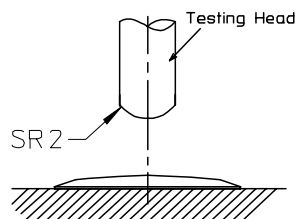
A



NOTES:

1. DIMENSION  $D = \phi 5.00 \pm 0.05 \text{MM}$ ;
2. MATERIAL:  $0.050 \pm 0.005 \text{MM}$  STAINLESS STEEL;
3. TRAVEL:  $0.18 \pm 0.05 \text{MM}$ ;
4. OPERATION FORCE:  $170 \pm 40 \text{GF}$ ;
5. CLICK RATE:  $45\% \pm 10\%$ ;
6. LIFE TESTING: 1,000,000 CYCLE(600G LOAD,SPM:120);

Testing Sketch



ENTER DESCRIPTION EC NO: DG2006-0246 DRWN:HCHE04 2006/05/31 CHKD:JACKY CHEN 2006/05/31 APPR:HCHE04 2006/05/31	DESCRIPTION A	QUALITY SYMBOLS $\blacktriangledown = 0$ $\triangleleft = 0$	GENERAL TOLERANCES (UNLESS SPECIFIED)		DIMENSION STYLE MM ONLY		SCALE ---	DESIGN UNITS METRIC	THIRD ANGLE PROJECTION																								
			<table border="1"> <thead> <tr> <th></th> <th>mm</th> <th>INCH</th> </tr> </thead> <tbody> <tr> <td>4 PLACES</td> <td><math>\pm</math>---</td> <td><math>\pm</math>---</td> </tr> <tr> <td>3 PLACES</td> <td><math>\pm</math>---</td> <td><math>\pm</math>---</td> </tr> <tr> <td>2 PLACES</td> <td><math>\pm</math>---</td> <td><math>\pm</math>---</td> </tr> <tr> <td>1 PLACE</td> <td><math>\pm</math>---</td> <td><math>\pm</math>---</td> </tr> </tbody> </table>		mm	INCH	4 PLACES	$\pm$ ---	$\pm$ ---	3 PLACES	$\pm$ ---	$\pm$ ---	2 PLACES	$\pm$ ---	$\pm$ ---	1 PLACE	$\pm$ ---	$\pm$ ---	<table border="1"> <thead> <tr> <th>DRAWN BY</th> <th>DATE</th> </tr> </thead> <tbody> <tr> <td>MICHAEL</td> <td>2006.05.30</td> </tr> <tr> <th>CHECKED BY</th> <th>DATE</th> </tr> <tr> <td>JACKY CHEN</td> <td>2006.05.30</td> </tr> <tr> <th>APPROVED BY</th> <th>DATE</th> </tr> <tr> <td>KY LEE</td> <td>2006.05.30</td> </tr> </tbody> </table>	DRAWN BY	DATE	MICHAEL	2006.05.30	CHECKED BY	DATE	JACKY CHEN	2006.05.30	APPROVED BY	DATE	KY LEE	2006.05.30	TITLE 5 MM STAINLESS STEEL METAL DOME	
			mm	INCH																													
		4 PLACES	$\pm$ ---	$\pm$ ---																													
3 PLACES	$\pm$ ---	$\pm$ ---																															
2 PLACES	$\pm$ ---	$\pm$ ---																															
1 PLACE	$\pm$ ---	$\pm$ ---																															
DRAWN BY	DATE																																
MICHAEL	2006.05.30																																
CHECKED BY	DATE																																
JACKY CHEN	2006.05.30																																
APPROVED BY	DATE																																
KY LEE	2006.05.30																																
DRAFT WHERE APPLICABLE MUST REMAIN WITHIN DIMENSIONS			MATERIAL NO. 17003-1572	DOCUMENT NO. SD-17003-001	SHEET NO. 1 OF 01																												
THIS DRAWING CONTAINS INFORMATION THAT IS PROPRIETARY TO MOLEX INCORPORATED AND SHOULD NOT BE USED WITHOUT WRITTEN PERMISSION																																	

6

5

4

3

2

1

E

D

C

B

A