

PLEASE CHECK WWW.MOLEX.COM FOR LATEST PART INFORMATION

Part Number: [0022552362](#)
Status: **Active**
Overview: [cgrid_sl_products](#)
Description: 2.54mm (.100") Pitch SL™ Crimp Housing, Dual Row, Version B, Polarized, 36 Circuits

Documents:

3D Model	Product Specification PS-70058 (PDF)
Packaging Specification (PDF)	Product Specification PS-70400 (PDF)
Drawing (PDF)	RoHS Certificate of Compliance (PDF)

Agency Certification

CSA	LR19980
UL	E29179

General

Product Family	Crimp Housings
Series	70450
Comments	Version B
Overview	cgrid_sl_products
Product Name	SL™

Physical

Breakaway	No
Circuits (maximum)	36
Color - Resin	Black
Flammability	94V-0
Gender	Female
Glow-Wire Compliant	No
Material - Resin	Polyester
Number of Rows	2
Packaging Type	Bag
Panel Mount	No
Pitch - Mating Interface (in)	0.100 In
Pitch - Mating Interface (mm)	2.54 mm
Stackable	No
Temperature Range - Operating	-40°C to +105°C

Material Info

Old Part Number	70450-0066
-----------------	------------

Reference - Drawing Numbers

Packaging Specification	PK-70450-100
Product Specification	PS-70058, PS-70400
Sales Drawing	SD-70450-0050-0075
Test Summary	TS-70058-001



EU RoHS

**ELV and RoHS
Compliant**
**REACH SVHC
Not Reviewed**
**Halogen-Free
Status
Not Reviewed**

China RoHS



**Need more information on product
environmental compliance?**

Email productcompliance@molex.com
 For a multiple part number RoHS Certificate of
 Compliance, [click here](#)

Please visit the [Contact Us](#) section for any
 non-product compliance questions.

Search Parts in this Series

[70450Series](#)

Mates With

[70246](#) Straight Header, [70247](#) Right Angle
 Header, [87256](#), [87257](#)

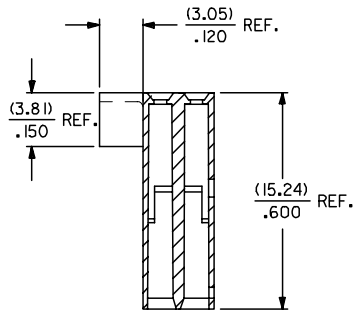
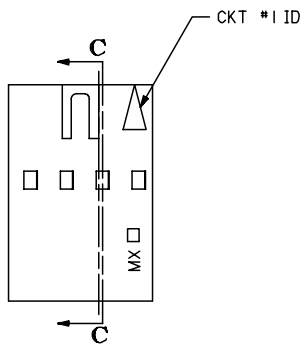
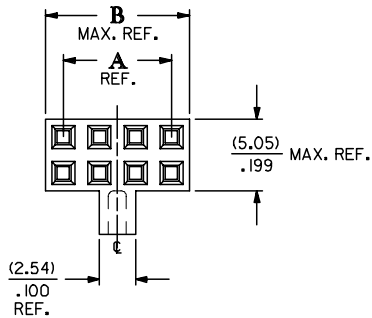
Use With

[70058](#) , [71851](#)

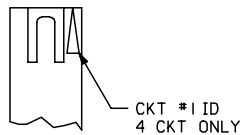
NOTES:

1. MATERIAL: G.F. POLYESTER
2. HOUSING TO BE USED WITH TERMINAL NOS. 70028, 70058, AND 71851.
3. HOUSING TO BE USED WITH (0.64)/.025 SQUARE OR ROUND PINS.
4. REFER TO MOLEX PRODUCT SPECIFICATION PS-70058.
5. PACKAGE PER PK-70450-100.
6. PARTS CONFORM TO CLASS C OF COSMETIC SPECIFICATION PS-45499-002.

OPTION "B"



SECTION C-C



CKT. SIZE	EDP. NO.	ENG. NO.	DIM "A" REF.	DIM "B" MAX. REF.
4	022-55-2042	70450-0050	(2.54)/.100	(5.05)/.199
6	022-55-2062	70450-0051	(5.08)/.200	(7.59)/.299
8	022-55-2082	70450-0052	(7.62)/.300	(10.13)/.399
10	022-55-2102	70450-0053	(10.16)/.400	(12.67)/.499
12	022-55-2122	70450-0054	(12.70)/.500	(15.21)/.599
14	022-55-2142	70450-0055	(15.24)/.600	(17.75)/.699
16	022-55-2162	70450-0056	(17.78)/.700	(20.29)/.799
18	022-55-2182	70450-0057	(20.32)/.800	(22.83)/.899
20	022-55-2202	70450-0058	(22.86)/.900	(25.37)/.999
22	022-55-2222	70450-0059	(25.40)/1.000	(27.91)/1.099
24	022-55-2242	70450-0060	(27.94)/1.100	(30.45)/1.199
26	022-55-2262	70450-0061	(30.48)/1.200	(32.99)/1.299
28	022-55-2282	70450-0062	(33.02)/1.300	(35.53)/1.399
30	022-55-2302	70450-0063	(35.56)/1.400	(38.07)/1.499
32	022-55-2322	70450-0064	(38.10)/1.500	(40.61)/1.599
34	022-55-2342	70450-0065	(40.64)/1.600	(43.15)/1.699
36	022-55-2362	70450-0066	(43.18)/1.700	(45.69)/1.799
38	022-55-2382	70450-0067	(45.72)/1.800	(48.23)/1.899
40	022-55-2402	70450-0068	(48.26)/1.900	(50.77)/1.999
42	022-55-2422	70450-0069	(50.80)/2.000	(53.31)/2.099
44	022-55-2442	70450-0070	(53.34)/2.100	(55.85)/2.199
46	022-55-2462	70450-0071	(55.88)/2.200	(58.39)/2.299
48	022-55-2482	70450-0072	(58.42)/2.300	(60.93)/2.399
50	022-55-2502	70450-0073	(60.96)/2.400	(63.47)/2.499
52	NOT TOOLED	70450-0074	(63.50)/2.500	(66.01)/2.599
54	NOT TOOLED	70450-0075	(66.04)/2.600	(68.55)/2.699

ADD COSMETIC SPEC EC NO: UCP2007-2009 DRAWN: JORGAN 2007/02/23 CHKD: MS BARRA 2007/02/23 APPR: SMILLER 2007/02/27	QUALITY SYMBOLS ▽=0 ▽=0	GENERAL TOLERANCES (UNLESS SPECIFIED)		DIMENSION STYLE MM/IN		SCALE 4:1	DESIGN UNITS INCH	THIRD ANGLE PROJECTION	
		4 PLACES ± --- ± --- 3 PLACES ± --- ± .010 2 PLACES ± 0.25 ± .014 1 PLACE ± 0.35 ± --- ANGULAR ±1/2°	DRAWN BY MJM DATE 1986/10/22	TITLE HOUSING-CONNECTOR DUAL ROW (2.54)/.100 GRID WITH POLARIZATION KEY		MOLEX INCORPORATED		SHEET NO. 1 OF 1	
		DRAFT WHERE APPLICABLE MUST REMAIN WITHIN DIMENSIONS	SEE CHART		SD-70450-0050-0075		MATERIAL NO. DOCUMENT NO.		
		THIS DRAWING CONTAINS INFORMATION THAT IS PROPRIETARY TO MOLEX INCORPORATED AND SHOULD NOT BE USED WITHOUT WRITTEN PERMISSION							