

PLEASE CHECK WWW.MOLEX.COM FOR LATEST PART INFORMATION

Part Number: [0350230003](#)
Status: **Active**
Description: 2.00mm (.079") Pitch Board-In Crimp Housing, 3 Circuits

Documents:

[3D Model](#) [Product Specification PS-35044-001 \(PDF\)](#)
[Drawing \(PDF\)](#) [RoHS Certificate of Compliance \(PDF\)](#)
[Product Specification PS-35023-001 \(PDF\)](#)

Agency Certification

CSA LR19980
 UL E29179

General

Product Family Crimp Housings
 Series [35023](#)
 Product Name Board-In

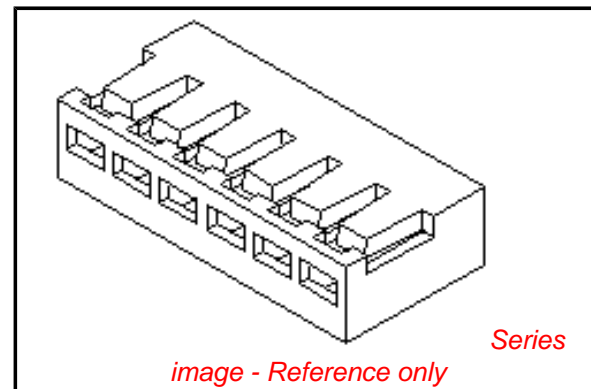
Physical

Circuits (maximum) 3
 Color - Resin Natural
 Flammability 94V-0
 Gender Female
 Glow-Wire Compliant No
 Material - Resin Nylon
 Number of Rows 1
 Packaging Type Bag
 Panel Mount No
 Pitch - Mating Interface (in) 0.079 In
 Pitch - Mating Interface (mm) 2.00 mm
 Stackable No
 Temperature Range - Operating -40°C to +105°C

Material Info

Reference - Drawing Numbers

Product Specification PS-35023-001, PS-35044-001
 Sales Drawing SD-35023-*0**, SD-35023-001



EU RoHS

**ELV and RoHS
 Compliant**
REACH SVHC
 Not Reviewed
**Halogen-Free
 Status**
Not Reviewed

China RoHS



**Need more information on product
 environmental compliance?**

Email productcompliance@molex.com
 For a multiple part number RoHS Certificate of
 Compliance, [click here](#)

Please visit the [Contact Us](#) section for any
 non-product compliance questions.

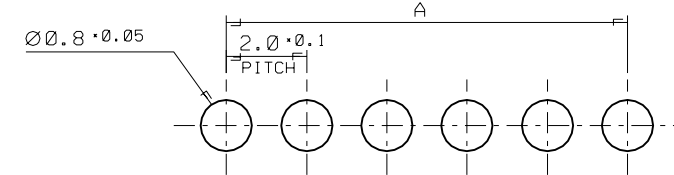
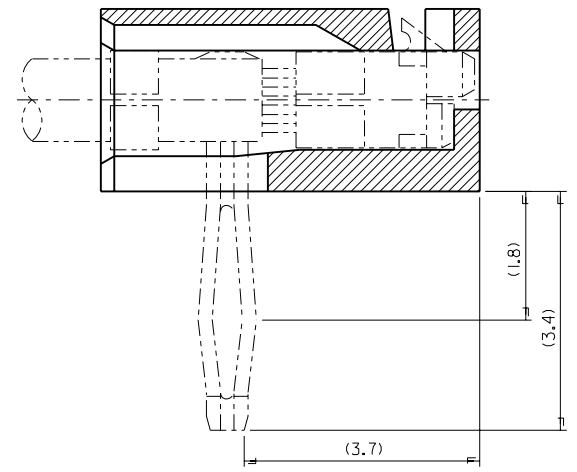
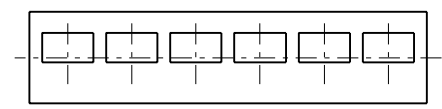
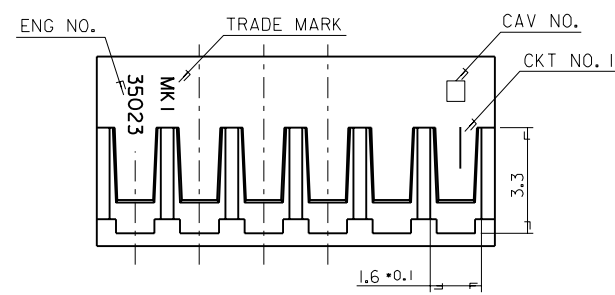
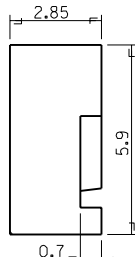
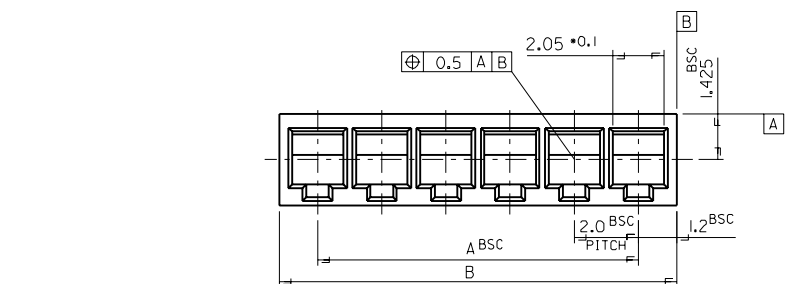
Search Parts in this Series

[35023Series](#)

Use With

[35044](#) , [35021](#)

DWG. NO. SD 35023-*0**
 SIMILAR ITEM 35023-*0**
 PROJECT NO. 35023-*0**
 DO NOT SCALE DRAWING DIMENSION IN METRIC



P.C. BOARD LAY OUT
(THK. = 1.6T)

- NOTE
- MATERIAL : NYLON 66 UL94V-0
 - APPLIED TERMINAL : 35021-I201/I301
 - PRODUCT SPECIFICATION : PS-35023

LEGEND

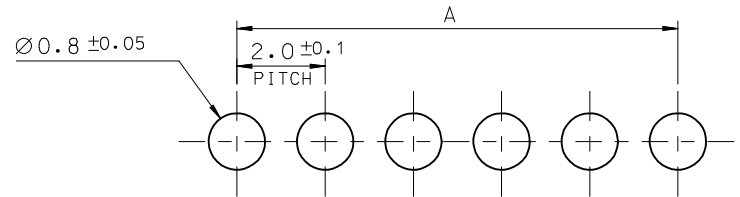
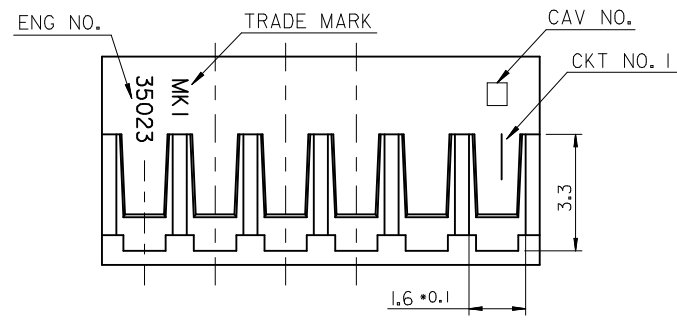
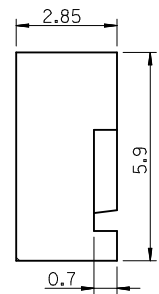
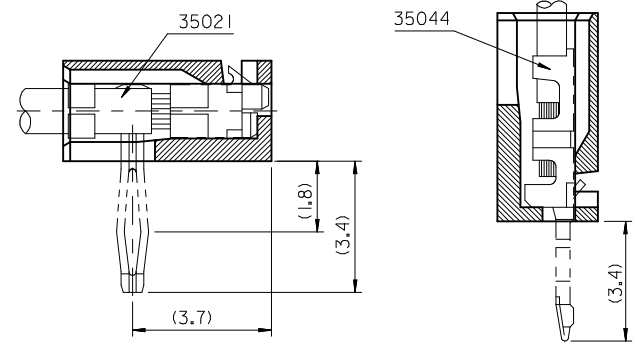
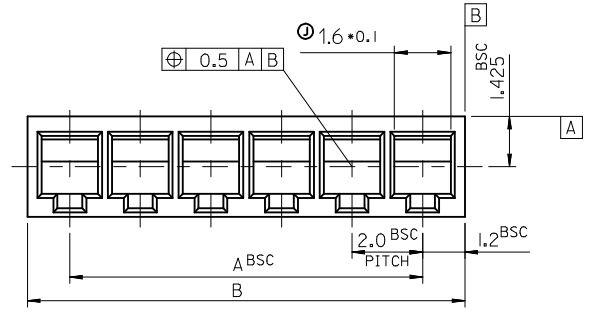
35023 - *0 ** CKT.(02,03,04....)

COLOR : 0 --- NATURAL
1 --- BLACK

32.4	30.0	35023-*016	16	18.4	16.0	-*009	9
30.4	28.0	-*015	15	14.4	14.0	-*008	8
28.4	26.0	-*014	14	12.4	10.0	-*006	6
26.4	24.0	-*013	13	10.4	8.0	-*005	5
24.4	22.0	-*012	12	8.4	6.0	-*004	4
22.4	20.0	-*011	11	6.4	4.0	-*003	3
20.4	18.0	-*010	10	4.4	2.0	35023-*002	2
B	A	ENG NO.	CKT NO.	B	A	ENG NO.	CKT NO.

REVISED EC NO. KOR.999-0007 DRWN: K.S.KIM(990111) CHK: J.K.OH APPR: C.W.LEE	DESCRIPTION MAJOR CRITICAL	QUALITY SYMBOLS MAJOR CRITICAL		GENERAL TOLERANCES: (UNLESS SPECIFIED)		SCALE 7-1	DESIGN UNITS <input checked="" type="checkbox"/> mm <input type="checkbox"/> INCH	DIMENSIONS: <input type="checkbox"/> mm <input type="checkbox"/> INCH <input checked="" type="checkbox"/> mm ONLY		SHT 7-1	REV REVISE ON CAD ONLY		
		4 PLACES ±0. mm ±. INCH	3 PLACES ±0. mm ±. INCH	2 PLACES ±0. mm ±. INCH	1 PLACE ±0.3 mm ±. INCH	ANGULAR: ± 1 °	DRAWN BY & DATE H.S.SHIN(931026)		TITLE: 2.0mm PITCH B-IN CONN. HOUSING(S/T)				
		CHECKED BY & DATE J.K.OH		APPROVED BY & DATE C.W.LEE		CAD FILENAME SD35023.DGN		MATERIAL NO. 35023-*0**	DRAWING NO. SD 35023-*0**	SHEET NO. IOF1		SIZE B	
		DRAFT WHERE APPLICABLE MUST REMAIN WITHIN DIMENSIONS						THIS DRAWING CONTAINS INFORMATION THAT IS PROPRIETARY TO MOLEX INCORPORATED AND SHOULD NOT BE USED WITHOUT WRITTEN PERMISSION.					

10 9 8 7 6 5 4 3 2 1



P.C. BOARD LAY OUT
(THK.: 1.6+)

NOTE

1. MATERIAL : NYLON 66 UL94V-0
2. APPLIED TERMINAL : 35021-1201/1301,35044
3. PRODUCT SPECIFICATION : PS-35023

LEGEND (ZYTEL FE13001)

35023 - *0 ** CKT.(02,03,04....)

COLOR : 0 --- NATURAL
I --- BLACK

① LEGEND (TECHNYL A50H1,HF Version)

35023 - **6* --- COLOR : 0 --- NATURAL
I --- BLACK
CKT.(02,03,04....)

				18.4	16.0		- ****	9
32.4	30.0	35023- ****	16	16.4	14.0		- ****	8
30.4	28.0	- ****	15	14.4	12.0		- ****	7
28.4	26.0	- ****	14	12.4	10.0		- ****	6
26.4	24.0	- ****	13	10.4	8.0		- ****	5
24.4	22.0	- ****	12	8.4	6.0		- ****	4
22.4	20.0	- ****	11	6.4	4.0		- ****	3
20.4	18.0	- ****	10	4.4	2.0	35023- ****		2
B	A	ENG NO.	CKT NO.	B	A	ENG NO.	CKT NO.	

REVISED EC NO: KOR2010-0015 DRWN: JHPARK01 2009/07/28 CHKD: WY. YANG 2009/07/30 APPR: YUNSIKKIM 2009/07/30	QUALITY SYMBOLS	GENERAL TOLERANCES (UNLESS SPECIFIED)	DIMENSION STYLE	SCALE	DESIGN UNITS	THIRD ANGLE PROJECTION
	▽=0 ◻=0	mm INCH 4 PLACES ± --- ± --- 3 PLACES ± --- ± --- 2 PLACES ± 0.2 ± --- 1 PLACE ± 0.3 ± --- ANGULAR ± 1 °	MM ONLY	1:1	METRIC	☉ ◻ THIRD ANGLE PROJECTION
	DESCRIPTION	DRAWN BY DATE	DATE	TITLE	MOLEX INCORPORATED	
		HS.SHIN 1993/10/26	1993/10/26	2.0 PITCH B-IN CONN. HOUSING(S/T)	DOCUMENT NO.	SHEET NO.
	CHECKED BY DATE	DATE		SD-35023-001	1 OF 01	
	APPROVED BY DATE	DATE				
	CW.LEE 1993/10/26	1993/10/26				
	MATERIAL NO.		SIZE	THIS DRAWING CONTAINS INFORMATION THAT IS PROPRIETARY TO MOLEX INCORPORATED AND SHOULD NOT BE USED WITHOUT WRITTEN PERMISSION		
			A3			

9 8 7 6 5 4 3 2 1