

PLEASE CHECK WWW.MOLEX.COM FOR LATEST PART INFORMATION

Part Number: [0544791215](#)
Status: **Active**
Description: HMC™ Rectangular Industrial Female Housing, Single-Module Type, 12 Circuits

Documents:

[Drawing \(PDF\)](#) [RoHS Certificate of Compliance \(PDF\)](#)
[Product Specification PS-54478-001 \(PDF\)](#)

Agency Certification

CSA LR19980
 UL E29179

General

Product Family I/O Connectors
 Series [54479](#)
 Application Panel-Mount, Wire-to-Wire
 Component Type Housing
 Product Name HMC™
 Type N/A

Physical

Circuits (Loaded) 12
 Flammability 94V-0
 Gender Female
 Lock to Mating Part Yes
 Material - Plating Mating n/a
 Orientation Vertical
 Packaging Type Bag
 Panel Mount N/A
 Pitch - Mating Interface (in) 0.024 In
 Pitch - Mating Interface (mm) 5.70 mm
 Polarized to Mating Part Yes
 Temperature Range - Operating -40°C to +125°C
 Termination Interface: Style N/A
 Waterproof / Dustproof Yes
 Waterproof / Dustproof Type IP65

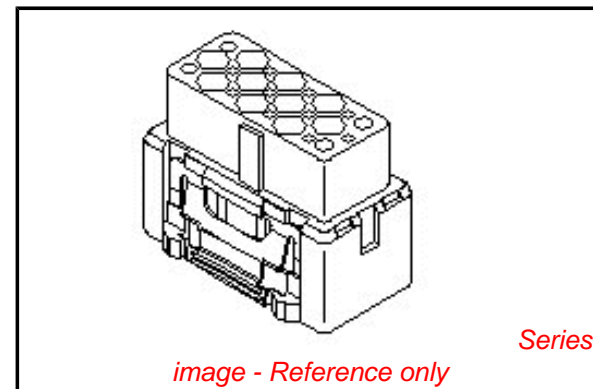
Electrical

Current - Maximum per Contact 10A, 35A
 Voltage - Maximum 450V DC

Material Info

Reference - Drawing Numbers

Product Specification PS-54478-001
 Sales Drawing SD-54479-1215



EU RoHS

**ELV and RoHS
 Compliant**
REACH SVHC
 Not Reviewed
**Halogen-Free
 Status**
 Not Reviewed

China RoHS



**Need more information on product
 environmental compliance?**

Email productcompliance@molex.com
 For a multiple part number RoHS Certificate of
 Compliance, [click here](#)

Please visit the [Contact Us](#) section for any
 non-product compliance questions.

Search Parts in this Series

[54479Series](#)

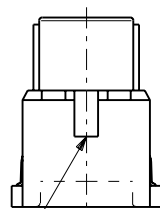
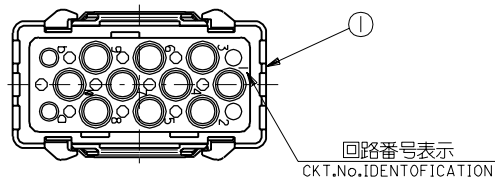
Mates With

[55348-1215](#) housing

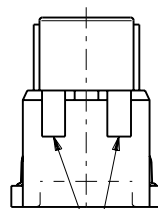
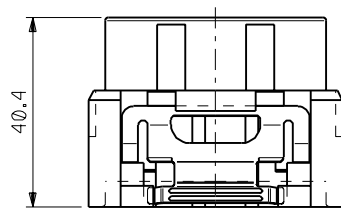
Use With

58783-0011 panel-mount bracket, 54296
 and 54297 terminals, [58782-0011](#) hood
 bracket

嵌合側
MATING SIDE

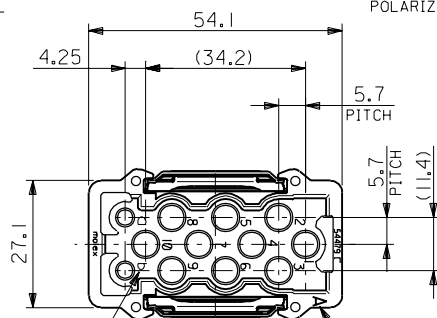


シエル挿入方向キー
POLARIZATIONS KEY FOR SHELL



シエル挿入方向キー
POLARIZATIONS KEY FOR SHELL

電線挿入側
WIRE SIDE



回路番号表示
CKT.No.IDENTIFICATION

極性タイプ表示
POLARIZATIONS TYPE IDENTIFICATION

M+

- NOTES
- 嵌合相手 : 55348-12 15
MATES WITH : 55348-12 15
 - 適用端子
APPLICABLE SOCKET CONTACT
回路番号 1~10 : 54297-9***
CKTS. NO. 1~10 : 54297-9***
回路番号 a,b : 54296-9***
CKTS. NO. a,b : 54296-9***
 - 適用シエルアッセンブリ
APPLICABLE SHELL ASS'Y
プラグ : 58782-00 11
PLUG : 58782-00 11
リセプタクル : 58783-00 11
RECEPTACLE : 58783-00 11

| ② | スプリング SPRING | ステンレス STAINLESS STEEL | 2 | 54479-12 15 | 12 |
|-----------|---|--|-------------|------------------|-------------|
| ① | フィメイルハウジング アッセンブリ FEMALE HOUSING ASS'Y | ポリカーボナイト UL94V-0 グレー POLYCARBONATE UL94V-0 GRAY | 1 | | |
| 部番 NO. | 部品名 PARTS NAME | 材質 MATERIAL | 個数 QUAN. | 製品番号 ENG. NO. | 極数 CKTS. |

| | | | | | |
|----------------------------|--|------------------|--|----------------------|--|
| 材料 MATERIAL | | 表参照 SEE TABLE | | 材料 MATERIAL | |
| 仕上げ FINISH | | — # — | | DRAWN BY CHK'D BY | |
| 適用電線範囲 WIRE RANGE | | — # — | | DATE | |
| 被覆外径 INS. RANGE | | — # — | | APP'D BY CHK'D BY | |
| 角度 ANGLE | | ±3° | | REVISION RECORD | |
| 30 以上 OVER | | +0.3 | | DR. / CHK. / DATE | |
| 10 以上 30 未満 OVER UNDER | | +0.25 | | REVISION RECORD | |
| 10 未満 UNDER | | +0.2 | | REVISION RECORD | |
| 一般公差 GENERAL TOLERANCES | | 記号 LTR | | REVISION RECORD | |

| | |
|---|-----|
| MOLEX-JAPAN CO.,LTD. 日本モレックス株式会社 | |
| REVISE ONLY ON CAD SYSTEM | |
| TITLE 名称 (MIXED TYPE) ROBOT CONN. FEMALE HS'G ASS'Y (嵌合極性タイプ A) (MATING POLARIZATIONS TYPE A) | |
| DWG. NO. | REV |
| SD-54479-12 15 | 0 |