

PLEASE CHECK WWW.MOLEX.COM FOR LATEST PART INFORMATION

Part Number: **0545523016**
Status: **Active**
Description: 0.40mm (.016") Pitch Board-to-Board SlimStack™ Receptacle, SMT, Dual Row, without Plastic Pegs, Right Angle, 30 Circuits

Documents:

[3D Model](#) [Product Specification PS-54552-024 \(PDF\)](#)
[Drawing \(PDF\)](#) [RoHS Certificate of Compliance \(PDF\)](#)

General

Product Family PCB Receptacles
 Series [54552](#)
 Application Board-to-Board
 Product Name SlimStack™

Physical

Circuits (Loaded) 30
 Color - Resin Brown
 Durability (mating cycles max) 30
 Glow-Wire Compliant No
 Mated Height (in) 0.167 In, 0.171 In
 Mated Height (mm) 4.25 mm, 4.35 mm
 Material - Metal Phosphor Bronze
 Material - Plating Mating Gold
 Material - Plating Termination Tin
 Number of Rows 2
 Orientation Right Angle
 PCB Locator No
 PCB Retention None
 Packaging Type Embossed Tape on Reel
 Pitch - Mating Interface (in) 0.016 In
 Pitch - Mating Interface (mm) 0.40 mm
 Polarized to PCB No
 Temperature Range - Operating -40°C to +85°C
 Termination Interface: Style Surface Mount

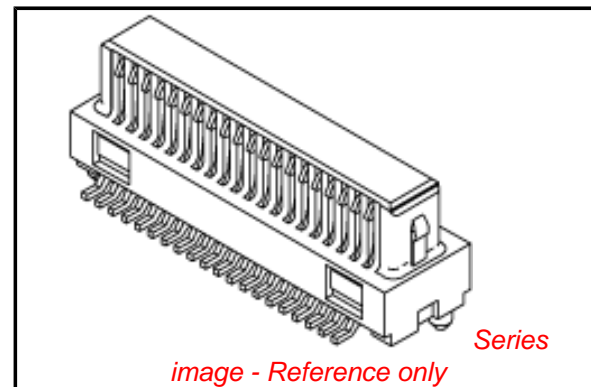
Electrical

Current - Maximum per Contact 0.3A
 Voltage - Maximum 30V AC (RMS)/DC

Material Info

Reference - Drawing Numbers

Product Specification PS-54552-024
 Sales Drawing SD-54552-025, SD-54552-026



EU RoHS

**ELV and RoHS
 Compliant**
REACH SVHC
 Not Reviewed
**Halogen-Free
 Status**

China RoHS



**Need more information on product
 environmental compliance?**

Email productcompliance@molex.com
 For a multiple part number RoHS Certificate of
 Compliance, [click here](#)

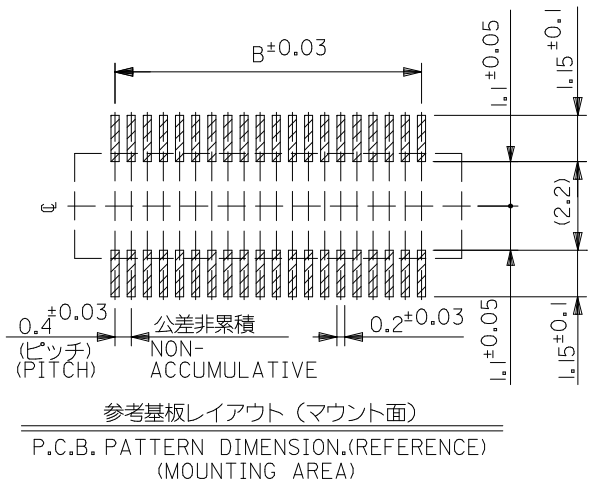
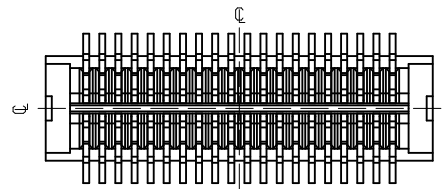
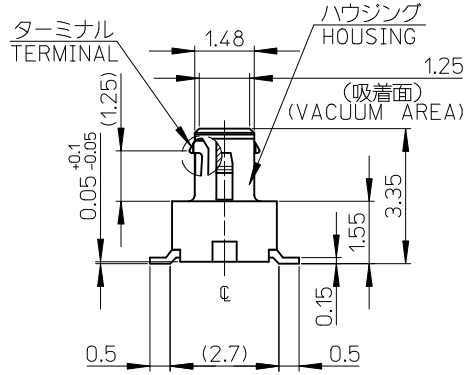
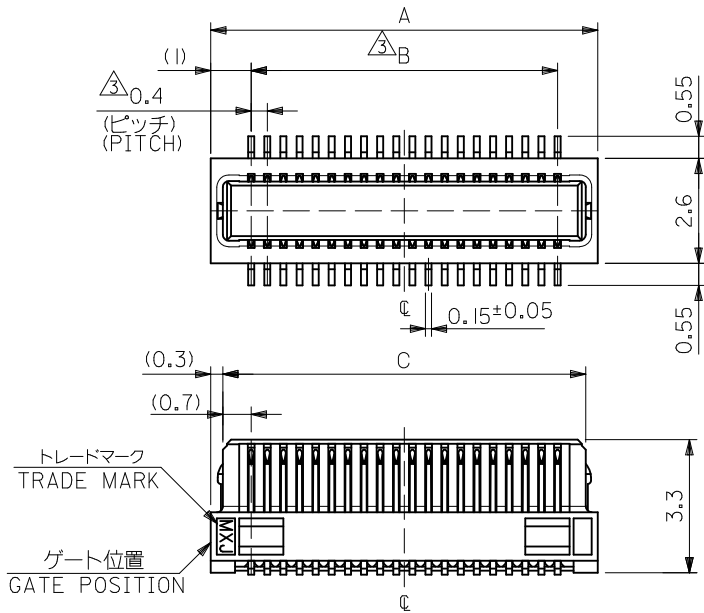
Please visit the [Contact Us](#) section for any
 non-product compliance questions.

Search Parts in this Series

[54552Series](#)

Mates With

[55394 PCB Header](#) . [503376 PCB Header](#)



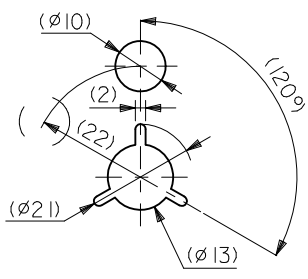
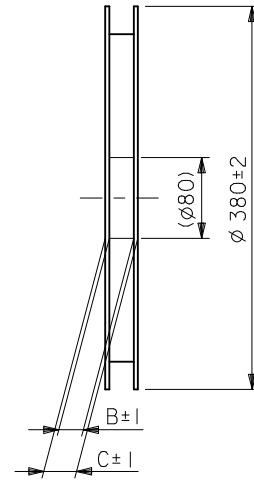
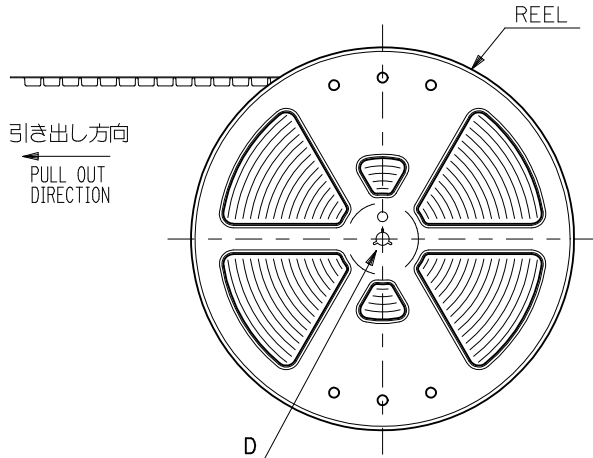
注記 NOTES

1. 使用材料 MATERIAL
 ハウジング:液晶ポリマー ガラス充填 UL94V-0 茶色
 HOUSING:LIQUID CRYSTAL POLYMER, GLASS FILLED, UL94V-0, COLOR BROWN
 ターミナル:リン青銅 (t=0.15)
 TERMINAL:PHOSPHOR BRONZE(t=0.15)
2. メッキ仕様 PLATING
 金メッキ (コンタクト部)
 GOLD PLATING (CONTACT AREA)
 錫メッキ (テール部)
 TIN PLATING (TAIL AREA)
 下地メッキ:ニッケルメッキ
 UNDER PLATING : NICKEL
- △ テール部に適用。
 APPLY TO THE TAIL AREA.
4. 嵌合相手:55394 / 503376 シリーズ
 MATE WITH : 55394 / 503376 SERIES.
5. テール平坦度は、0.08以下
 TAIL COPLANARITY TO BE 0.08MAXIMUM
6. ELV及びRoHS適合品
 ELV AND RoHS COMPLIANT

19.0	17.6	19.6	54552-9016	90
17.0	15.6	17.6	54552-8016	80
9.0	7.6	9.6	54552-4016	40
7.0	5.6	7.6	54552-3016	30
5.0	3.6	5.6	54552-2016	20
C	B	A	EMBOSSED TAPE	CKT.
ORDER No. オーダー番号				

CONNECTOR SERIES No. : 54552-***15

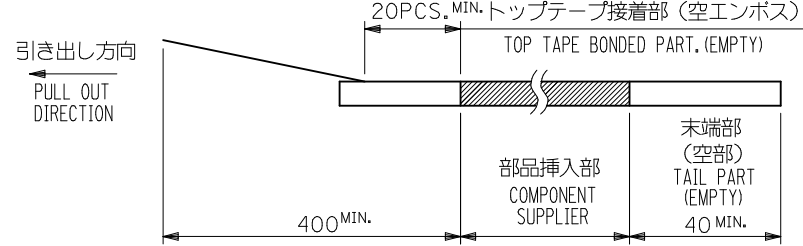
RELEASED EC NO: J2010-1972 DRWN:KTOYODA 2010/03/31 CH'KD:SMARUYAMA 2010/03/31 APPR:SMARUYAMA 2010/03/31	GENERAL TOLERANCES (UNLESS SPECIFIED)		DIMENSION STYLE MM ONLY		SCALE 8:1	DESIGN UNITS METRIC	THIRD ANGLE PROJECTION
	10 UNDER	±0.2	DRAWN BY KTOYODA	DATE 2010/03/29	TITLE 0.4 B/B CONN R/A REC HSG ASSY WITHOUT BOSS		
	10 OVER 30 UNDER	±0.25	CHECKED BY SMARUYAMA	DATE 2010/03/29	APPROVED BY MSASAO 2010/03/29		
	30 OVER	±0.3	MATERIAL NO. SEE TABLE		DOCUMENT NO. SD-54552-025	SHEET NO. 1 OF 1	
A	REV	ANGULAR ±3 ° DRAFT WHERE APPLICABLE MUST REMAIN WITHIN DIMENSIONS		MOLEX INCORPORATED THIS DRAWING CONTAINS INFORMATION THAT IS PROPRIETARY TO MOLEX INCORPORATED AND SHOULD NOT BE USED WITHOUT WRITTEN PERMISSION			



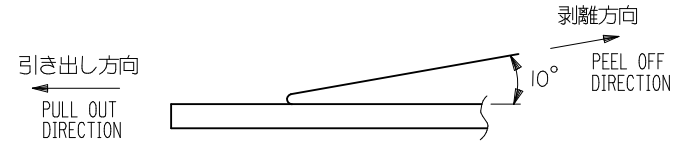
DETAIL D

NOTES

- 製品詳細寸法については SD-54552-025 を参照下さい。
RE DETAILED DIMENSION, SEE SD-54552-025.
- 梱包数量：1500個/リール
NUMBER OF CONNECTORS：1500PCS/REEL
- リードテープ長さ LEAD TAPE LENGTH



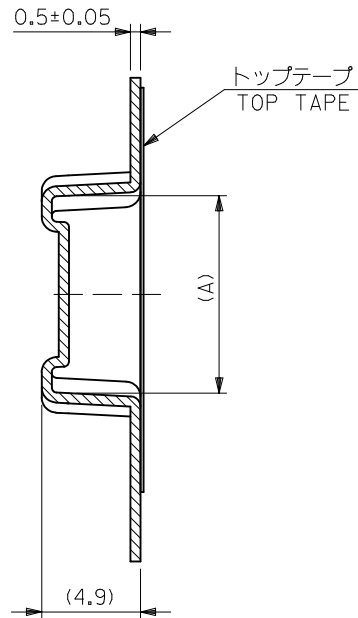
- トップテープの剥離強度：0.1～1.3N (10～130gf) (剥離方向は下図参照)
尚、本規格値は出荷時に適用。(但し、輸送時に剥離が発生しないこと。)
PEELING OFF FORCE OF TOP TAPE：0.1～1.3N (10～130gf)
(PEELING DIRECTION AS SHOWN IN FOLLOWING FIG.)
THIS REQUIREMENT SHOULD BE APPLIED AT SHIPMENT.
PEEL OFF SHOULD NOT BE ALLOWED, DURING TRANSPORTATION.



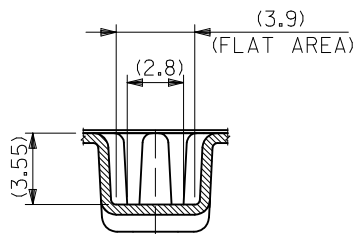
- 材料 (MATERIAL)
キャリアテープ (CARRIER TAPE)：ポリプロピレン (POLYPROPYLENE)
トップテープ (TOP TAPE)：PET, PE, PEF
リール (REEL)：ポリスチレン (P S) <リサイクル材を含む>
POLYSTYRENE (PS) <RECYCLE MATERIAL CONTAINED>
- ELV 及び RoHS 適合品
ELV AND RoHS COMPLIANT

54552-9016	90
54552-8016	80
54552-4016	40
54552-3016	30
54552-2016	20
EMBOSSED TAPE	CKT.
ORDER No. オーダー番号	

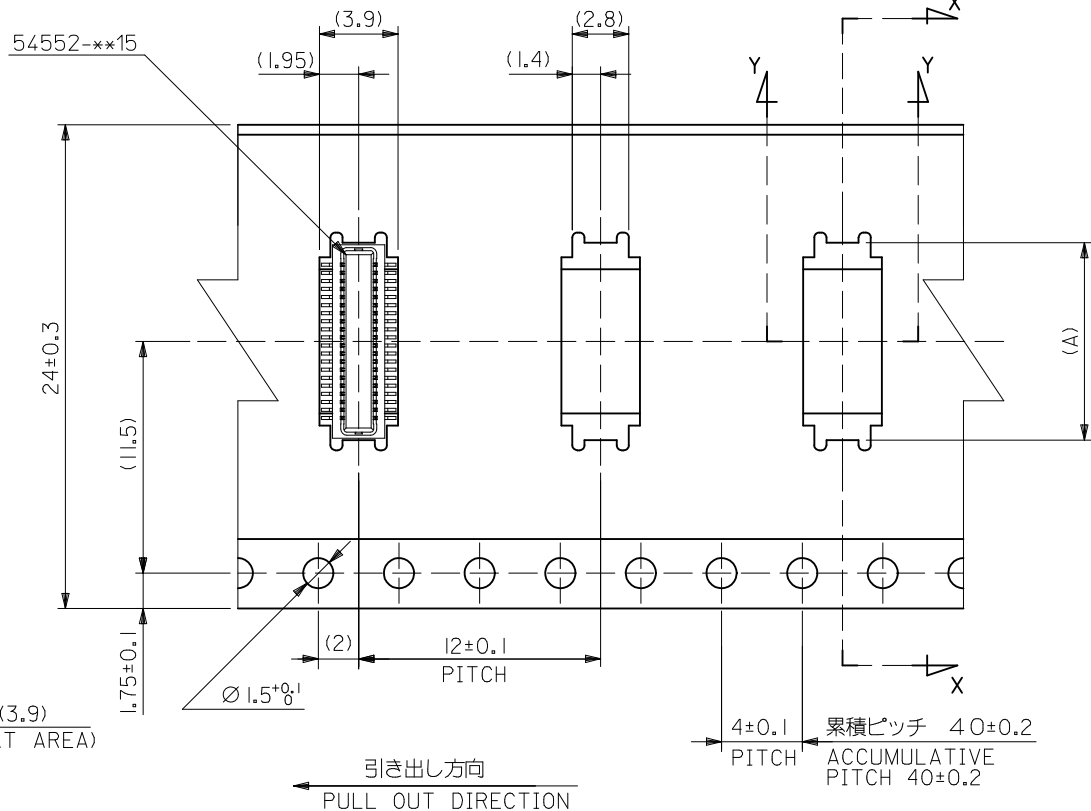
RELEASED EC NO.: J2010-1972 DRW: KTOYODA 2010/03/31 CHKD: SMARUYAMA 2010/03/31 APPR: SMARUYAMA 2010/03/31	GENERAL TOLERANCES (UNLESS SPECIFIED)		DIMENSION STYLE MM ONLY		SCALE ---	DESIGN UNITS METRIC	THIRD ANGLE PROJECTION
	10 UNDER	±0.2	DRAWN BY KTOYODA	DATE 2010/03/29	TITLE EMBSTP PKG FOR 0.4 B/B CONN RA REC HSG ASSY		
	10 OVER 30 UNDER	±0.25	CHECKED BY SMARUYAMA	DATE 2010/03/29	MOLEX INCORPORATED		
	30 OVER	±0.3	APPROVED BY MSASAO	DATE 2010/03/29	MATERIAL NO. SEE TABLE	DOCUMENT NO. SD-54552-026	SHEET NO. 1 OF 3
A	ANGULAR ±3 °	THIS DRAWING CONTAINS INFORMATION THAT IS PROPRIETARY TO MOLEX INCORPORATED AND SHOULD NOT BE USED WITHOUT WRITTEN PERMISSION					
	DRAFT WHERE APPLICABLE MUST REMAIN WITHIN DIMENSIONS						



SECT X-X



SECT Y-Y



24	29.4	25.4	9.8	54552-4016	40
			7.8	54552-3016	30
			5.8	54552-2016	20
キャリアテープ幅 CARRIER TAPE WIDTH	C	B	(A)	EMBOSSED TAPE	極数 CIRCUITS
				ORDER No. オーダー番号	

SEE SHEET 1 OF 3 EC NO.: J2010-1972 DRW:KTOYODA 2010/03/31 CHKD:SMARUYAMA 2010/03/31 APPR:SMARUYAMA 2010/03/31	GENERAL TOLERANCES (UNLESS SPECIFIED)	
	10 UNDER	±0.2
	10 OVER 30 UNDER	±0.25
	30 OVER	±0.3
	ANGULAR	±3 °
	DRAFT WHERE APPLICABLE MUST REMAIN WITHIN DIMENSIONS	

DIMENSION STYLE MM ONLY	
DRAWN BY KTOYODA	DATE 2010/03/29
CHECKED BY SMARUYAMA	DATE 2010/03/29
APPROVED BY MSASAO	DATE 2010/03/29
MATERIAL NO. SEE TABLE	
SIZE A3	THIS DRAWING CONTAINS INFORMATION THAT IS PROPRIETARY TO MOLEX INCORPORATED AND SHOULD NOT BE USED WITHOUT WRITTEN PERMISSION

SCALE ---	DESIGN UNITS METRIC	THIRD ANGLE PROJECTION
TITLE EMBSTP PKG FOR 0.4 B/B CONN RA REC HSG ASSY		
MOLEX INCORPORATED		
MATERIAL NO. SD-54552-026	DOCUMENT NO.	SHEET NO. 2 OF 3

