

PLEASE CHECK WWW.MOLEX.COM FOR LATEST PART INFORMATION

Part Number: [0557632070](#)
Status: **Active**
Overview: microclasp
Description: 2.00mm (.079") Pitch MicroClasp™ Wire-to-Board Header, Surface Mount, Dual Row, Vertical, Lead-free, 20 Circuits

Documents:

[3D Model](#) [Product Specification PS-51242-002 \(PDF\)](#)
[Drawing \(PDF\)](#) [RoHS Certificate of Compliance \(PDF\)](#)

General

Product Family	PCB Headers
Series	55763
Application	Wire-to-Board
Overview	microclasp
Product Name	MicroClasp™

Physical

Breakaway	No
Circuits (Loaded)	20
Circuits (maximum)	20
Color - Resin	Natural
Durability (mating cycles max)	30
First Mate / Last Break	No
Glow-Wire Compliant	No
Guide to Mating Part	No
Keying to Mating Part	None
Lock to Mating Part	Yes
Material - Plating Mating	Tin
Material - Plating Termination	Tin
Material - Resin	High Temperature Thermoplastic
Number of Rows	2
Orientation	Vertical
PC Tail Length (in)	0.177 In
PC Tail Length (mm)	4.50 mm
PCB Locator	No
PCB Retention	Yes
Packaging Type	Embossed Tape on Reel
Pitch - Mating Interface (in)	0.079 In
Pitch - Mating Interface (mm)	2.00 mm
Shrouded	Fully
Stackable	No
Temperature Range - Operating	-25°C to +85°C
Termination Interface: Style	Surface Mount

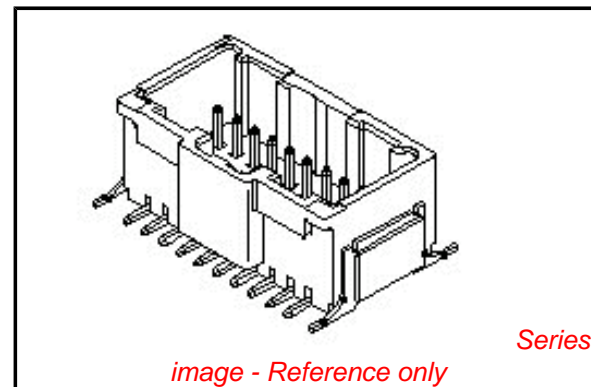
Electrical

Current - Maximum per Contact	3A
Voltage - Maximum	250V

Material Info

Reference - Drawing Numbers

Packaging Specification	SPK-55763-001
Product Specification	PS-51242-002, RPS-51242-004
Sales Drawing	SD-55763-006, SD-55763-007



EU RoHS

**ELV and RoHS
Compliant**
REACH SVHC
 Not Reviewed
**Halogen-Free
Status**

China RoHS



Not Reviewed

**Need more information on product
environmental compliance?**

Email productcompliance@molex.com
 For a multiple part number RoHS Certificate of Compliance, [click here](#)

Please visit the [Contact Us](#) section for any non-product compliance questions.

Search Parts in this Series

[55763Series](#)

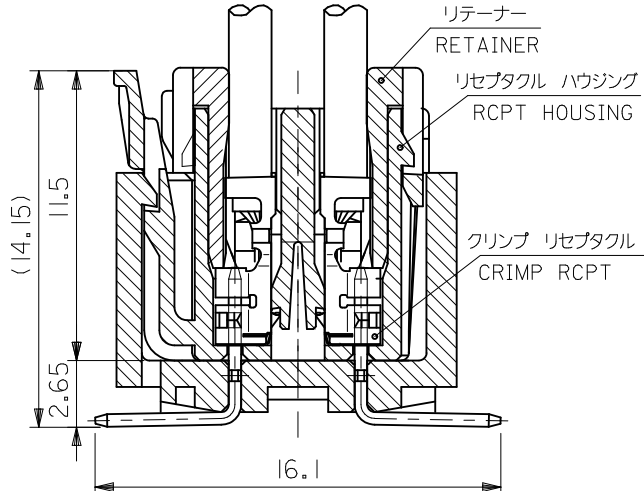
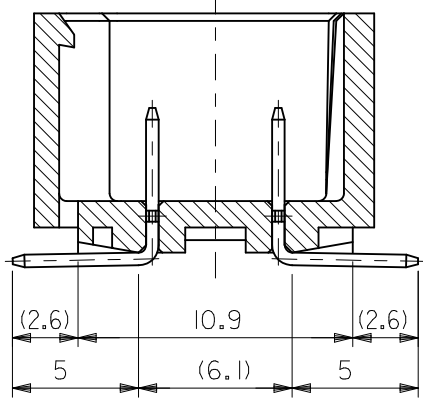
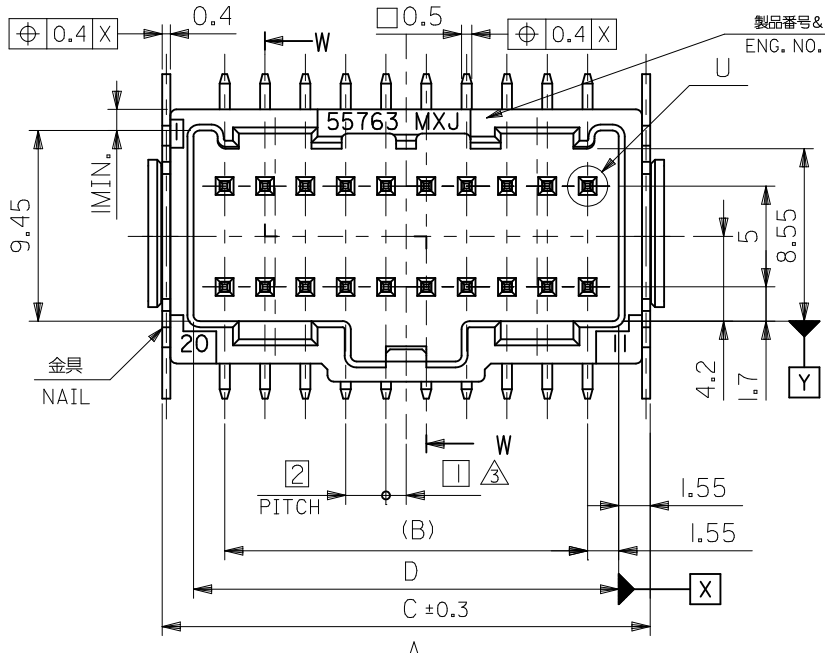
Mates With

[51242 MicroClasp™ Wire-to-Board Receptacle Housing](#)

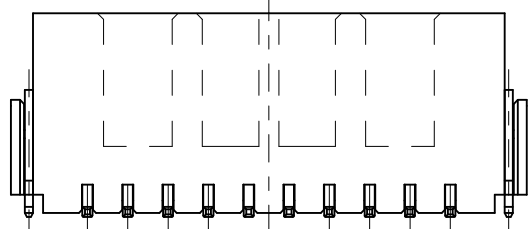
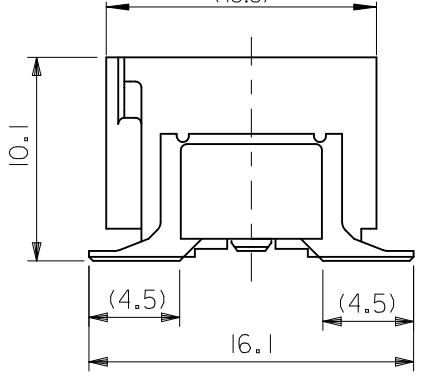
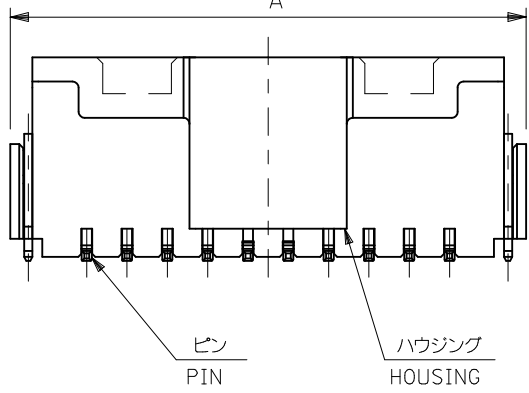
This document was generated on 05/27/2010

PLEASE CHECK WWW.MOLEX.COM FOR LATEST PART INFORMATION

10 9 8 7 6 5 4 3 2 1

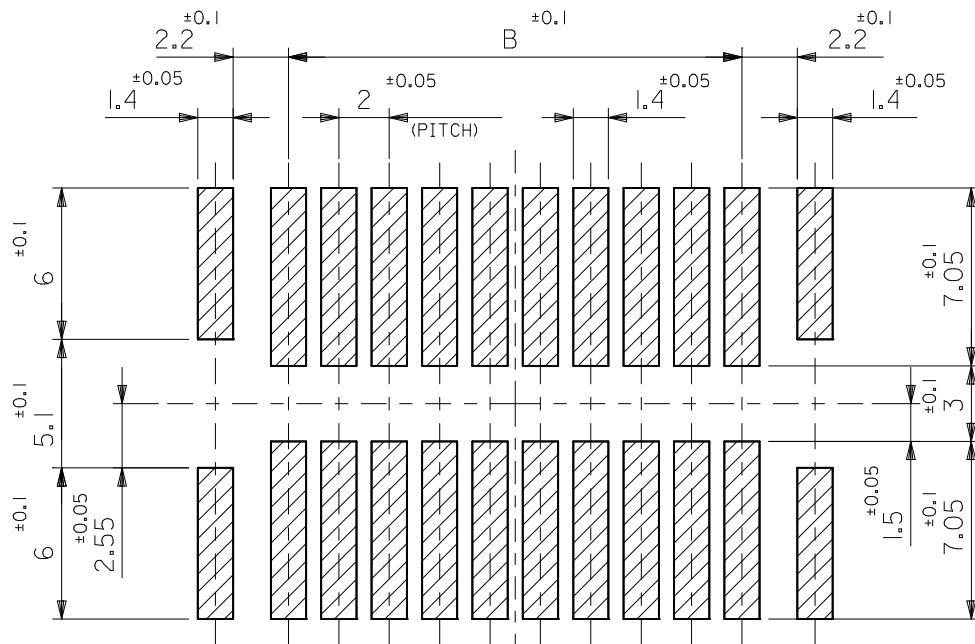


ターミナル及びリテーナー装着状態図
TERMINAL & RETAINER ASSEMBLY DRAWING
SCALE 5:1

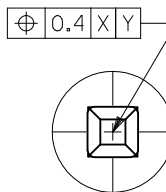


41.1	44.2	38	45.6	55763-408*	40
31.1	34.2	28	35.6	55763-308*	30
21.1	24.2	18	25.6	55763-208*	20
D	C	B	A	△ MATERIAL NO.	CKT.
MODEL NO. 55763-***8*					

REVISED EC NO: J2010-2017 DRWN: ITO CHKD: K. TOJO APPR: NUKITA	2010/04/07 2010/04/09 2010/04/12	GENERAL TOLERANCES (UNLESS SPECIFIED)		DIMENSION STYLE MM ONLY		SCALE 4:1	DESIGN UNITS METRIC	THIRD ANGLE PROJECTION	
		10 UNDER	± 0.2	DRAWN BY M. NAGATA	DATE 2004/02/10	TITLE 2.0MM W-TO-B DUAL CONN PLUG HOUSING ASS'Y -LEAD FREE-			
		10 OVER 30 UNDER	± 0.25	CHECKED BY K. TOJO	DATE 2004/02/10	MOLEX INCORPORATED			
		30 OVER	± 0.3	APPROVED BY M. SASAO	DATE 2004/02/10	DOCUMENT NO. SD-55763-006			
ANGULAR ± 3 °		DRAFT WHERE APPLICABLE MUST REMAIN WITHIN DIMENSIONS		MATERIAL NO. SEE CHART		SHEET NO. 1 OF 2			
SIZE A3		THIS DRAWING CONTAINS INFORMATION THAT IS PROPRIETARY TO MOLEX INCORPORATED AND SHOULD NOT BE USED WITHOUT WRITTEN PERMISSION							



参考基板レイアウト (マウント面)
P.C.BOARD PATTERN DIMENSION (REFERENCE)
(MOUNTING AREA)



DETAIL U
SCALE 30:1

注記 NOTES

1. 使用材料 MATERIAL
ハウジング: ポリアミド、ガラス入り、UL94V-0、色:自然色(白)
HOUSING: PA46, UL94V-0, COLOR: NATURAL(WHITE)
ピン: 黄銅 (□0.5)
PIN: BRASS (□0.5)
金具: 黄銅 (t=0.4)
NAIL: BRASS (t=0.4)
2. メッキ仕様 PLATING
ピン PIN
錫 2.0マイクロメートル
TIN 2.0MICROMETER MINIMUM
下地メッキ: 銅メッキ 1.0マイクロメートル
UNDER PLATING: COPPER 1.0MICROMETER MINIMUM
金具 NAIL
錫 2.0マイクロメートル
TIN 2.0MICROMETER MINIMUM
下地メッキ: ニッケルメッキ 1.0マイクロメートル
UNDER PLATING: NICKEL 1.0MICROMETER MINIMUM

⚠ (全極数/2) = 偶数の場合に適用。
APPLY FOR (CIRCUIT/2)=EVEN

4. 嵌合相手: 51242-***00
MATE WITH: 51242-***00
5. テール平坦度は、0.1以下
テール及び金具の平坦度は、0.1以下
TAIL COPLANARITY TO BE 0.1MAXIMUM.
TAIL AND FITTING NAIL
COPLANARITY TO BE 0.1 MAXIMUM.

⚠ 製品番号
MATERIAL NO.
55763-***8*

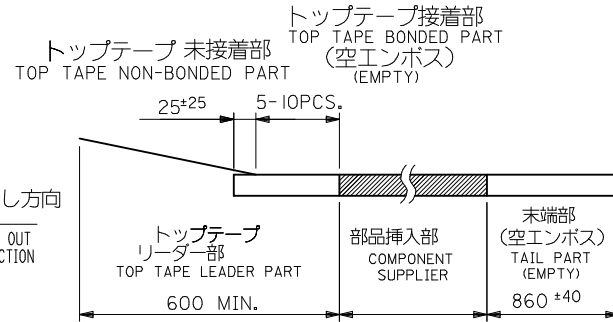
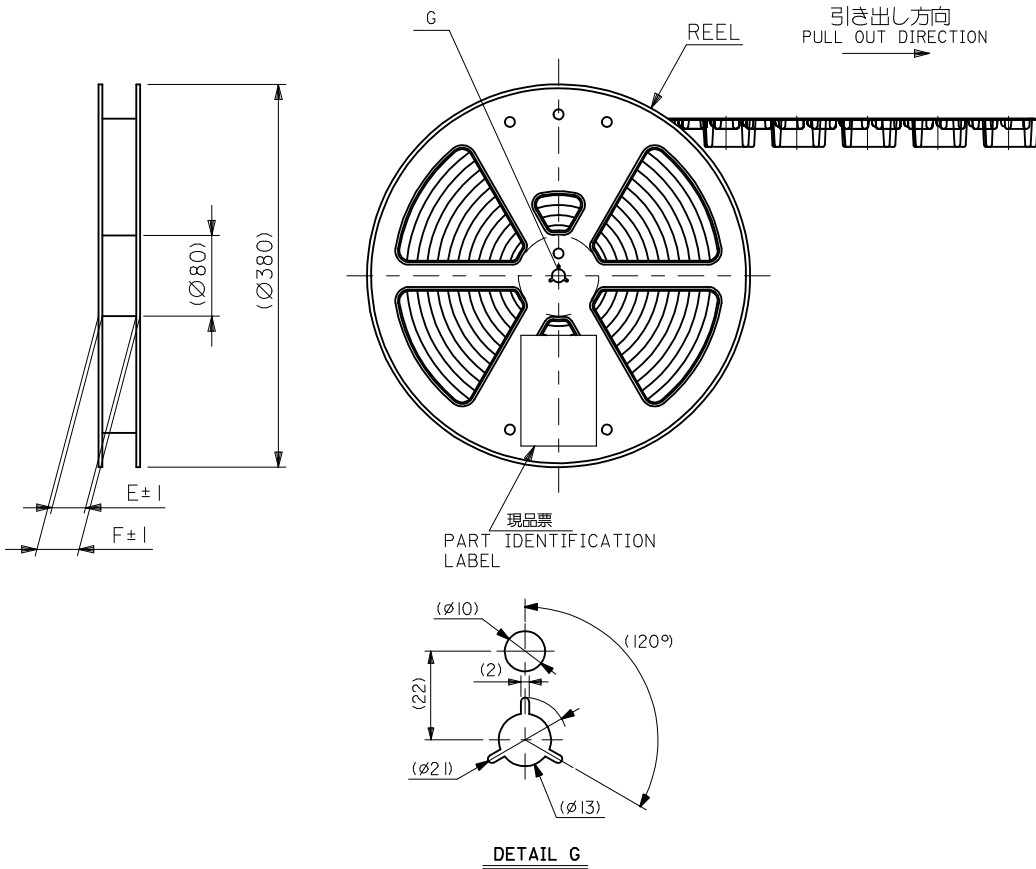
極数 CIRCUIT SIZE	色 COLOR	ナチュラル(白) NATURAL(WHITE)	0
		赤 RED	2

7. 本製品は 55763-*** の鉛フリー品である。
THIS PRODUCT IS LEAD FREE OF 55763-***

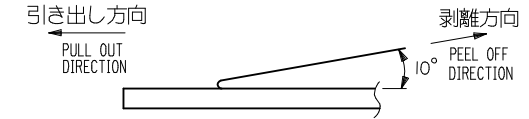
MODEL NO. 55763-***8*

REVISED EC NO: J2010-2017 DRWN: NITO 2010/04/07 CHKD: TOJO 2010/04/09 APPR: NUKITA 2010/04/12	GENERAL TOLERANCES (UNLESS SPECIFIED)		DIMENSION STYLE MM ONLY	SCALE ---	DESIGN UNITS METRIC	THIRD ANGLE PROJECTION
	10 UNDER	± ---	DRAWN BY M. NAGATA	DATE 2004/02/10	TITLE 2.0MM W-TO-B DUAL CONN PLUG HOUSING ASS'Y -LEAD FREE-	
	10 OVER 30 UNDER	± ---	CHECKED BY K. TOJO	DATE 2004/02/10	MOLEX INCORPORATED	
	30 OVER	± ---	APPROVED BY M. SASAO	DATE 2004/02/10	MATERIAL NO. SEE CHART	DOCUMENT NO. SD-55763-006
REV	DESCRIPTION	ANGULAR ± --- ° DRAFT WHERE APPLICABLE MUST REMAIN WITHIN DIMENSIONS	SIZE A3	THIS DRAWING CONTAINS INFORMATION THAT IS PROPRIETARY TO MOLEX INCORPORATED AND SHOULD NOT BE USED WITHOUT WRITTEN PERMISSION		

- NOTES
1. 梱包数量：300個/リール
NUMBER OF CONNECTORS : 300PCS/REEL
 2. リードテープ長さ
LEAD TAPE LENGTH



3. トップテープの剥離強度：0.1N ~ 1.3N (10 ~ 130gf)
<剥離速度：300mm/min (参考)> (剥離方向は下図参照)
PEELING OFF FORCE OF TOP TAPE : 0.1N ~ 1.3N (10 ~ 130gf)
(PEELING DIRECTION AS SHOWN IN FOLLOWING FIG.)
PEELING OFF SPEED : 300mm/min. (REF.)



4. 材料
キャリアテープ：ポリプロピレン (PP)
トップテープ：PET、PE、PEF
リール：ポリスチレン (PS) <リサイクル材を含む>
MATERIAL CARRIER TAPE : POLYPROPYLENE
TOP TAPE : PET, PE, PEF
REEL : POLYSTYREN(PS) <RECYCLE MATERIAL CONTAINED>

5. 欠損無きこと。
THERE MUST NOT BE LOSS.

△ 製品番号
MATERIAL NO.

55763-***7*

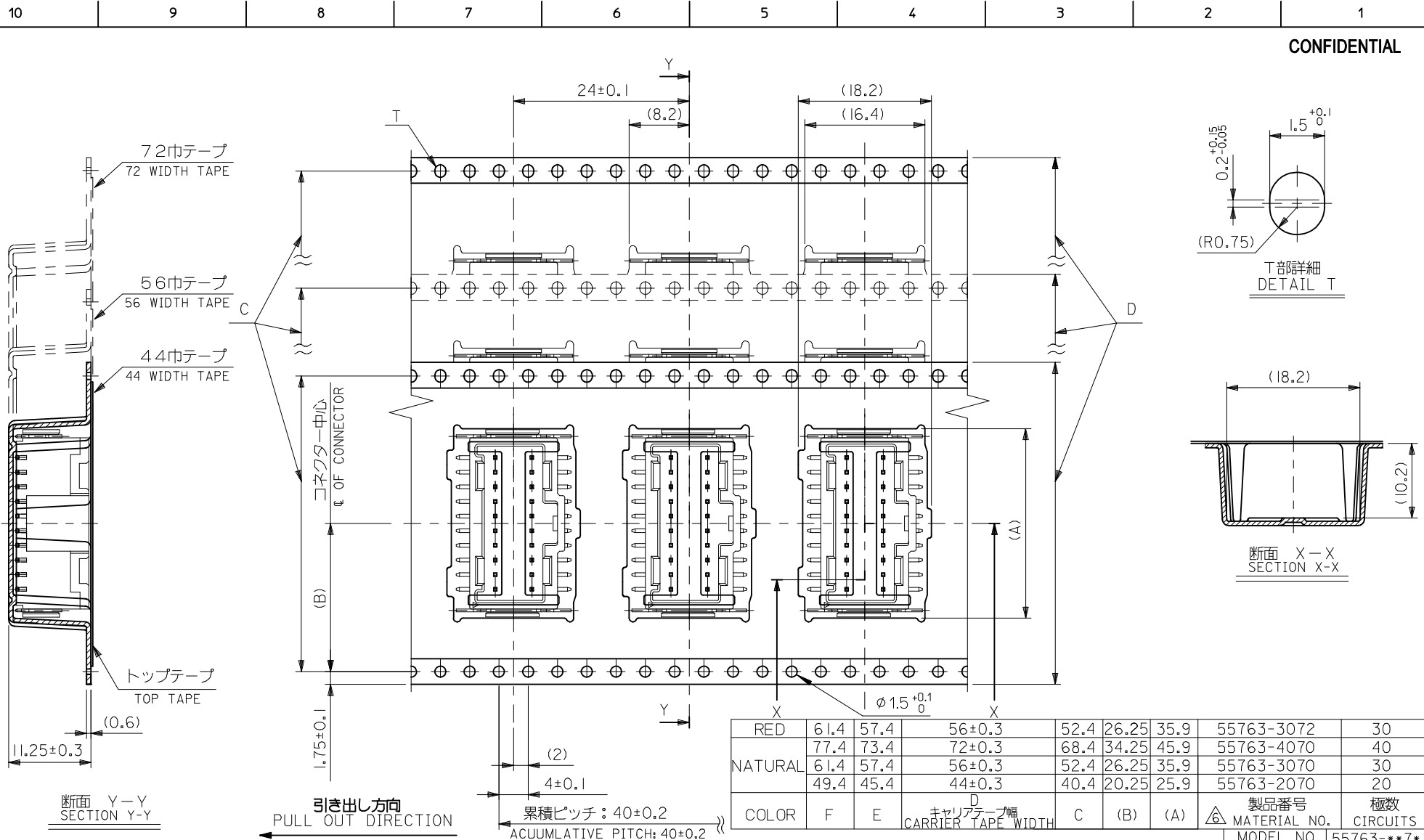
極数 CIRCUIT SIZE	色 COLOR	ナチュラル(白) NATURAL(WHITE)	0
		赤 RED	2

7. 本製品は 55763-***9* の鉛フリー品である。
THIS PRODUCT IS LEAD FREE OF 55763-***9*.

8. 本製品は乾燥剤入り、ハイバリア梱包仕様である。
開梱後の保管条件に注意して下さい。(PS-51242-002参照)
HIGH BARRIER PACKAGING INCLUDING DESICCANT.
NOTE THE CONDITION OF THE OPEN PACKAGE.
(REFER TO PS-51242-002)

REVISED EC NO: J2009-2113 DRWN:TKON 2009/06/16 CHKD:HATSUMOTO 2009/06/16 APPR:NIKIITA 2009/06/17	DESCRIPTION	GENERAL TOLERANCES (UNLESS SPECIFIED)		DIMENSION STYLE MM ONLY		SCALE ---	DESIGN UNITS METRIC	MODEL NO. 55763-***7*	
		10 UNDER	±0.2	DRAWN BY M. NAGATA	DATE 2004/02/10	TITLE 2.0MM W-TO-B DUAL CONN ASS'Y EMBSTP PKG -LEAD FREE- HIGH BARRIER		THIRD ANGLE PROJECTION	
		10 OVER 30 UNDER	±0.25	CHECKED BY K. TOJO	DATE 2004/02/10	MOLEX INCORPORATED		SHEET NO. 1 OF 2	
		30 OVER	±0.3	APPROVED BY M. SASAO	DATE 2004/02/10	DOCUMENT NO. SD-55763-007			
REV		ANGULAR ±3 ° DRAFT WHERE APPLICABLE MUST REMAIN WITHIN DIMENSIONS		MATERIAL NO. SEE SHEET 2		THIS DRAWING CONTAINS INFORMATION THAT IS PROPRIETARY TO MOLEX INCORPORATED AND SHOULD NOT BE USED WITHOUT WRITTEN PERMISSION			

CONFIDENTIAL



RED	61.4	57.4	56±0.3	52.4	26.25	35.9	55763-3072	30
	77.4	73.4	72±0.3	68.4	34.25	45.9	55763-4070	40
NATURAL	61.4	57.4	56±0.3	52.4	26.25	35.9	55763-3070	30
	49.4	45.4	44±0.3	40.4	20.25	25.9	55763-2070	20
COLOR	F	E		C	(B)	(A)	製品番号 MATERIAL NO.	極数 CIRCUITS
							△	MODEL NO. 55763-***7*

REVISED EC NO: J2009-2113 DRWN:TKON 2009/06/16 CHKD:HMATSUMOTO 2009/06/16 APPR:NIKITA 2009/06/17	GENERAL TOLERANCES (UNLESS SPECIFIED)		DIMENSION STYLE MM ONLY		SCALE 2:1	DESIGN UNITS METRIC	THIRD ANGLE PROJECTION	
	10 UNDER	±0.2	DRAWN BY M. NAGATA		DATE 2004/02/10		TITLE 2.0MM W-TO-B DUAL CONN ASS'Y EMBSTP PKG -LEAD FREE-	
	10 OVER 30 UNDER	±0.25	CHECKED BY K. TOJO		DATE 2004/02/10		MOLEX INCORPORATED	
	30 OVER	±0.3	APPROVED BY M. SASAO		DATE 2004/02/10		DOCUMENT NO. SD-55763-007	SHEET NO. 2 OF 2
	ANGULAR ±3 °	DRAFT WHERE APPLICABLE MUST REMAIN WITHIN DIMENSIONS		SEE TABLE		THIS DRAWING CONTAINS INFORMATION THAT IS PROPRIETARY TO MOLEX INCORPORATED AND SHOULD NOT BE USED WITHOUT WRITTEN PERMISSION		