

PLEASE CHECK WWW.MOLEX.COM FOR LATEST PART INFORMATION

Part Number: [0591230000](#)
Status: **Active**
Description: 1.25mm (.049") Pitch Small MGC (Multi-Ground Connector) Plug Cable Clamp Set

Documents:

[Drawing \(PDF\)](#) [Product Specification PS-54678-007 \(PDF\)](#)
[Product Specification PS-54678-003 \(PDF\)](#) [RoHS Certificate of Compliance \(PDF\)](#)
[Product Specification PS-54678-006 \(PDF\)](#)

General

| | |
|----------------|-----------------------|
| Product Family | Accessories |
| Series | 59123 |
| Component Type | Cable Clamp |
| Product Name | Small MGC |

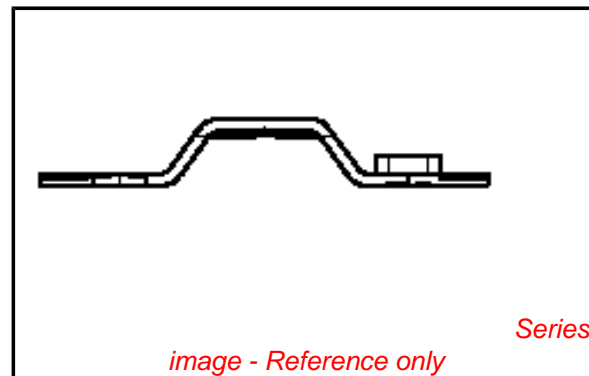
Physical

| | |
|-------------------------------|-----------------|
| Circuits (Loaded) | N/A |
| Circuits (maximum) | 0 |
| Gender | N/A |
| Material - Metal | Stainless Steel |
| Number of Rows | 0 |
| Packaging Type | Bag |
| Polarized to Mating Part | N/A |
| Temperature Range - Operating | -20°C to +80°C |

Material Info

Reference - Drawing Numbers

| | |
|-----------------------|--|
| Product Specification | PS-54678-003, PS-54678-006, PS-54678-007 |
| Sales Drawing | SD-59123-002 |



EU RoHS
ELV and RoHS
Compliant
REACH SVHC
 Not Reviewed
Halogen-Free
Status
Not Reviewed

China RoHS



Need more information on product environmental compliance?

Email productcompliance@molex.com
 For a multiple part number RoHS Certificate of Compliance, [click here](#)

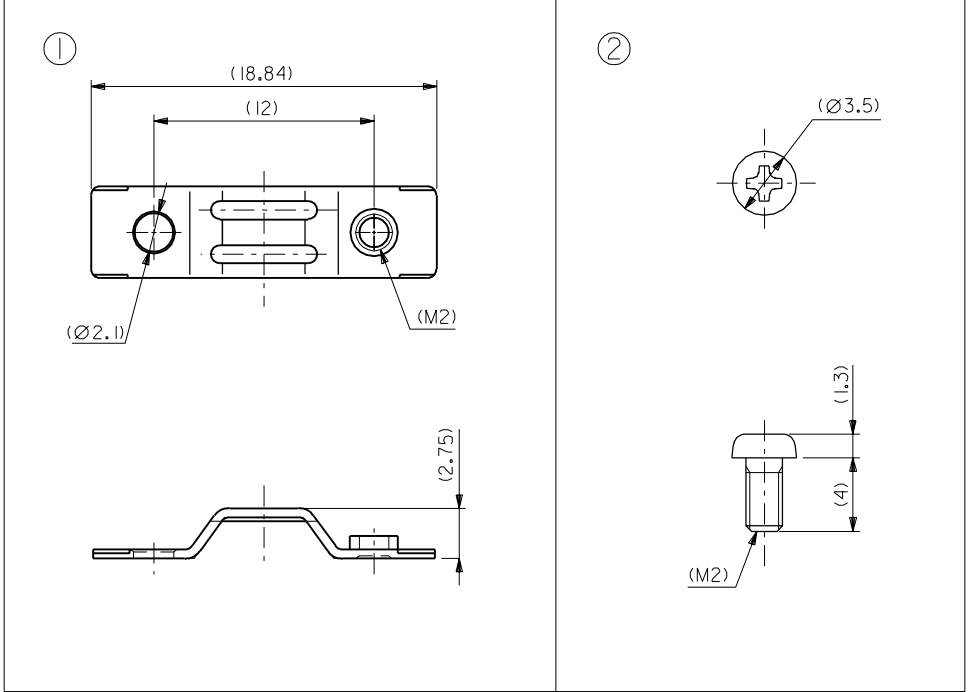
Please visit the [Contact Us](#) section for any non-product compliance questions.

Search Parts in this Series

[59123Series](#)

Use With

[55513](#) , [55514](#)



| | | | | | | | |
|--------------------|----------|-------|------------|----------------------------|-----|--------------|------------|
| ±0.5 | SUS | 2 | 59465-0000 | SMALL-MGC PLUG CABLE CRAMP | ① | 59123-0000 | 59123-0000 |
| M2XL4 (PLATING:NI) | STEEL | 2 | 58203-0009 | CROSS RECESSED HEAD SCREW | ② | | |
| NOTES | MATERIAL | QUAN. | PART NO. | DESCRIPTION | NO. | MATERIAL NO. | MODEL NO. |

| | | | | | | | | | | | | |
|--|----------------------------------|----------------------------------|----------------------------------|----------------------------------|---|-------------------------------------|---|--------------|--|---|--|-----------------------------|
| EC NO. DRWN: CHK: APPR: | EC NO. DRWN: CHK: APPR: | EC NO. DRWN: CHK: APPR: | EC NO. DRWN: CHK: APPR: | EC NO. DRWN: CHK: APPR: | EC NO. JD2001-0070 DRWN: M.ISOGAYA CHK: S.ICHIKAWA APPR: H.IKESUCI | MATERIAL 材料 注記参照 SEE NOTES | GENERAL TOLERANCES: (UNLESS SPECIFIED) 一般公差 | SCALE 2-1 | DESIGN UNITS <input checked="" type="checkbox"/> mm <input type="checkbox"/> INCH | THIRD ANGLE PROJECTION | DIMENSIONS: <input type="checkbox"/> mm <input type="checkbox"/> INCH <input checked="" type="checkbox"/> mm ONLY | SHT REV |
| | | | | | RELEASED | 注記参照 SEE NOTES | 10 UNDER 未滿 | ±0.2 | DRAWN BY & DATE M.ISOGAYA '00/07/11 | TITLE: SMALL-MGC CABLE CRAMP SUB ASS'Y | | |
| | | | | | FINISH 仕上り | 注記参照 SEE NOTES | 10 OVER 以上 | ±0.25 | CHECKED BY & DATE S. Ichikawa / 3/06 | | | |
| | | | | | WIRE RANGE 適用電線範囲 | | 30 OVER 以上 | ±0.3 | APPROVED BY & DATE H. Ikegami | | MATERIAL NO. 59123-0000 | DRAWING NO. SD-59123-002 |
| | | | | | INS. RANGE 被覆外径 | | ANGLE 角度 | ±3° | CAD FILENAME 59123002.S01 | | SHEET NO. 1 OF 1 | SIZE B |
| THIS DRAWING CONTAINS INFORMATION THAT IS PROPRIETARY TO MOLEX INCORPORATED AND SHOULD NOT BE USED WITHOUT WRITTEN PERMISSION. | | | | | | | | | | | | |