

**PLEASE CHECK WWW.MOLEX.COM FOR LATEST PART INFORMATION**

**Part Number:** [0705550042](#)

**Status:** **Active**

**Overview:** [cgrid\\_sl\\_products](#)

**Description:** 2.54mm (.100") Pitch SL™ Header, Single Row, Right Angle, .120" Pocket, Shrouded, with Press-fit Plastic Peg, 8 Circuits, 0.38µm (15µ") Gold (Au) Selective Plating, Tin (Sn) PC Tail Plating

**Documents:**

|   |  |
|---|--|
| <a href="#">3D Model</a>                      | <a href="#">Product Specification PS-70400 (PDF)</a> |
| <a href="#">Drawing (PDF)</a>                 | <a href="#">Product Specification PS-70541 (PDF)</a> |
| <a href="#">Packaging Specification (PDF)</a> | <a href="#">RoHS Certificate of Compliance (PDF)</a> |

**Agency Certification**

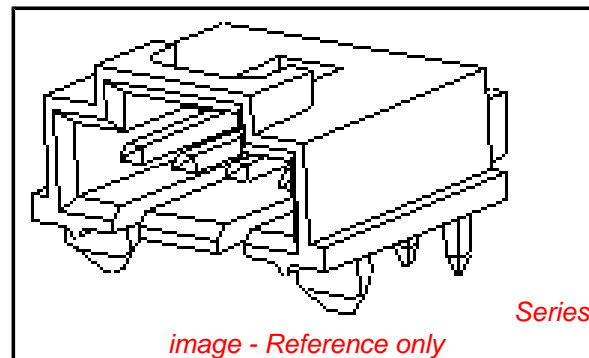
|     |         |
|-----|---------|
| CSA | LR19980 |
| UL  | E29179  |

**General**

|                |                                   |
|----------------|-----------------------------------|
| Product Family | PCB Headers                       |
| Series         | <a href="#">70555</a>             |
| Application    | Wire-to-Board                     |
| Overview       | <a href="#">cgrid_sl_products</a> |
| Product Name   | SL™                               |

**Physical**

|                                |                                |
|--------------------------------|--------------------------------|
| Breakaway                      | No                             |
| Circuits (Loaded)              | 8                              |
| Circuits (maximum)             | 8                              |
| Color - Resin                  | Black                          |
| Durability (mating cycles max) | 50                             |
| Flammability                   | 94V-0                          |
| Glow-Wire Compliant            | No                             |
| Guide to Mating Part           | Yes                            |
| Lock to Mating Part            | Yes                            |
| Material - Metal               | Brass, Phosphor Bronze         |
| Material - Plating Mating      | Gold                           |
| Material - Plating Termination | Tin                            |
| Material - Resin               | High Temperature Thermoplastic |
| Number of Rows                 | 1                              |
| Orientation                    | Right Angle                    |
| PC Tail Length (in)            | 0.130 In                       |
| PC Tail Length (mm)            | 3.30 mm                        |
| PCB Locator                    | Yes                            |
| PCB Retention                  | Yes                            |
| PCB Thickness Recommended (in) | 0.062 In                       |
| PCB Thickness Recommended (mm) | 1.60 mm                        |
| Packaging Type                 | Tube                           |
| Pitch - Mating Interface (in)  | 0.100 In                       |
| Pitch - Mating Interface (mm)  | 2.54 mm                        |
| Plating min: Mating (µin)      | 15                             |
| Plating min: Mating (µm)       | 0.375                          |
| Plating min: Termination (µin) | 75                             |
| Plating min: Termination (µm)  | 1.875                          |
| Polarized to Mating Part       | Yes                            |
| Shrouded                       | Fully                          |
| Stackable                      | No                             |
| Temperature Range - Operating  | -40°C to +105°C                |



*image - Reference only*

**EU RoHS**

**ELV and RoHS Compliant**

**REACH SVHC**

Not Reviewed

**Halogen-Free**

**Status**

**Not Halogen-Free**

**China RoHS**



**Need more information on product environmental compliance?**

Email [productcompliance@molex.com](mailto:productcompliance@molex.com)  
For a multiple part number RoHS Certificate of Compliance, [click here](#)

Please visit the [Contact Us](#) section for any non-product compliance questions.

**Search Parts in this Series**

[70555Series](#)

**Mates With**

[70066n](#) , [70066g](#) , [70430g](#) , [70400g Housing](#)

Termination Interface: Style Through Hole

**Electrical**

Current - Maximum per Contact 3A  
Voltage - Maximum 250V

**Solder Process Data**

Duration at Max. Process Temperature (seconds) 1  
Lead-free Process Capability Wave Capable (TH only)  
Max. Cycles at Max. Process Temperature 3  
Process Temperature max. C 260

**Material Info**

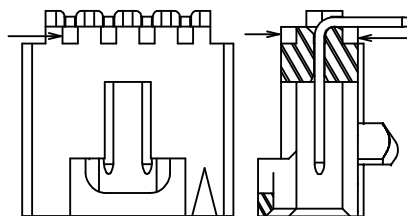
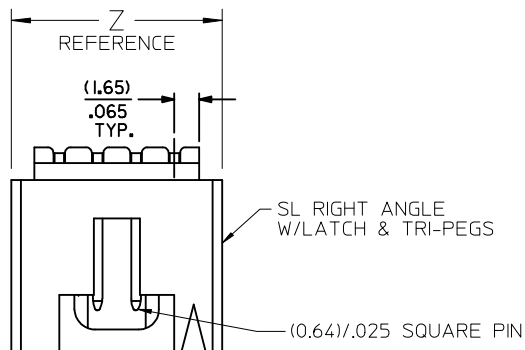
Old Part Number A-70555-0042

**Reference - Drawing Numbers**

Packaging Specification PK-70873-0015  
Product Specification PS-70400, PS-70541  
Sales Drawing SDA-70555-\*\*\*\*

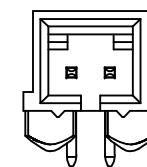
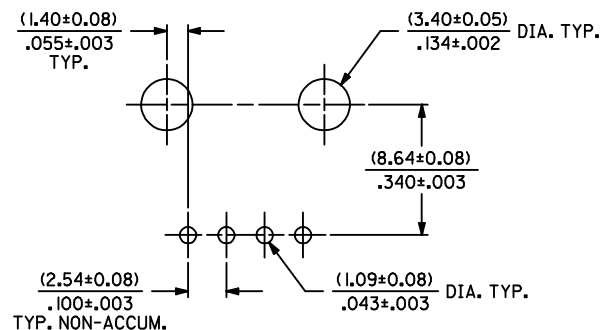
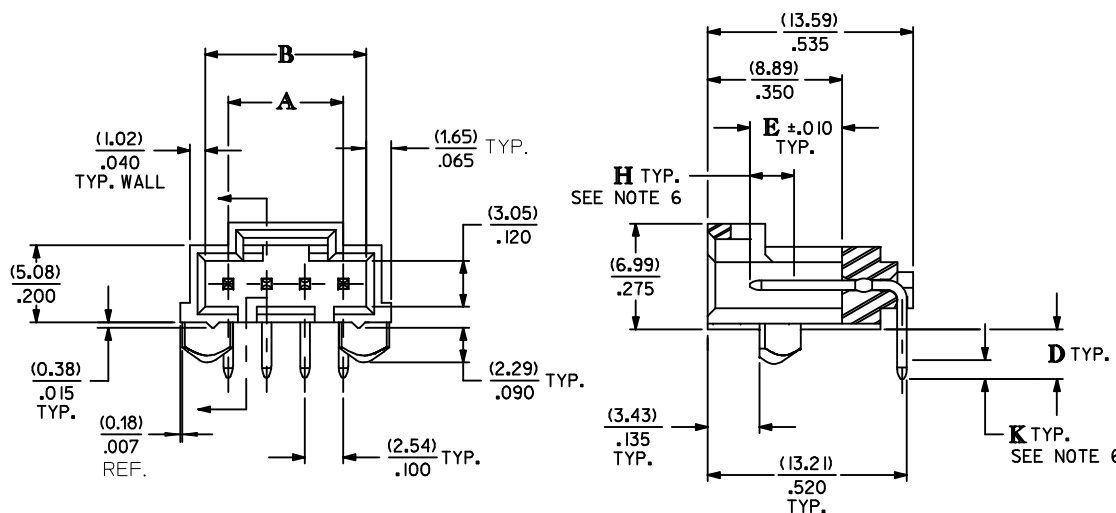
This document was generated on 05/28/2010

**PLEASE CHECK [WWW.MOLEX.COM](http://WWW.MOLEX.COM) FOR LATEST PART INFORMATION**

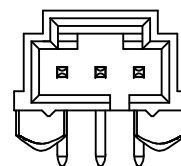


**ALTERNATIVE CORING  
MANUFACTURER'S OPTION**

| CKT. SIZE | DIM. "A" |       | DIM. "B" |       | DIM. "Z" |       |
|-----------|----------|-------|----------|-------|----------|-------|
|           | MM       | IN.   | MM       | IN.   | MM       | IN.   |
| 2         | 2.54     | .100  | 5.33     | .210  | 8.64     | .340  |
| 3         | 5.08     | .200  | 8.13     | .320  | 11.43    | .450  |
| 4         | 7.62     | .300  | 10.67    | .420  | 13.97    | .550  |
| 5         | 10.16    | .400  | 13.21    | .520  | 16.51    | .650  |
| 6         | 12.70    | .500  | 15.75    | .620  | 19.05    | .750  |
| 7         | 15.24    | .600  | 18.29    | .720  | 21.59    | .850  |
| 8         | 17.78    | .700  | 20.83    | .820  | 24.13    | .950  |
| 9         | 20.32    | .800  | 23.37    | .920  | 26.67    | 1.050 |
| 10        | 22.86    | .900  | 25.91    | 1.020 | 29.21    | 1.150 |
| 11        | 25.40    | 1.000 | 28.45    | 1.120 | 31.75    | 1.250 |
| 12        | 27.94    | 1.100 | 30.99    | 1.220 | 34.29    | 1.350 |
| 13        | 30.48    | 1.200 | 33.53    | 1.320 | 36.83    | 1.450 |
| 14        | 33.02    | 1.300 | 36.07    | 1.420 | 39.37    | 1.550 |
| 15        | 35.56    | 1.400 | 38.61    | 1.520 | 41.91    | 1.650 |
| 16        | 38.10    | 1.500 | 41.15    | 1.620 | 44.45    | 1.750 |
| 17        | 40.64    | 1.600 | 43.69    | 1.720 | 46.99    | 1.850 |
| 18        | 43.18    | 1.700 | 46.23    | 1.820 | 49.53    | 1.950 |
| 19        | 45.72    | 1.800 | 48.77    | 1.920 | 52.07    | 2.050 |
| 20        | 48.26    | 1.900 | 51.31    | 2.020 | 54.61    | 2.150 |
| 21        | 50.80    | 2.000 | 53.85    | 2.120 | 57.15    | 2.250 |
| 22        | 53.34    | 2.100 | 56.39    | 2.220 | 59.69    | 2.350 |
| 23        | 55.88    | 2.200 | 58.93    | 2.320 | 62.23    | 2.450 |
| 24        | 58.42    | 2.300 | 61.47    | 2.420 | 64.77    | 2.650 |
| 25        | 60.96    | 2.400 | 64.01    | 2.520 | 67.31    | 2.750 |



**2 CIRCUIT**



**3 CIRCUIT**

- NOTES:  
 1. HEADER MATERIAL: GLASS FILLED POLYESTER, UL 94V-0, COLOR: BLACK  
 PIN MATERIAL: PHOSPHOR BRONZE  
 2. HEADER TO BE USED WITH OPTION "G" 70400 AND 70430 SERIES SL CONNECTORS  
 3. REFER TO MOLEX PRODUCT SPECIFICATION PS-70541  
 4. STANDARD PACKAGING PER PK-70873-0015  
 5. DIMENSIONS WITHOUT TOLERANCE ARE SHOWN FOR REFERENCE ONLY  
 6. MEASURE POINT FOR PLATING THICKNESS

- PLATING:  
 TIN - 3.81 MICROMETERS/150 MICROINCHES MINIMUM TIN PLATE OVER NICKEL UNDERPLATE OVERALL  
 15 GOLD - 0.38 MICROMETERS/15 MICROINCHES MINIMUM GOLD PLATE IN MATE AREA  
 1.91 MICROMETERS/75 MICROINCHES MINIMUM TIN PLATE IN PC TAIL AREA OVER NICKEL UNDERPLATE OVERALL  
 30 GOLD - 0.76 MICROMETERS/30 MICROINCHES MINIMUM GOLD PLATE IN MATE AREA  
 1.91 MICROMETERS/75 MICROINCHES MINIMUM TIN PLATE IN PC TAIL AREA OVER NICKEL UNDERPLATE OVERALL

**RECOMMENDED P.C. BOARD LAYOUT**  
(FOR USE WITH (1.57)/.062 THICK BOARD)

|  |                                      |  |  |  |  |                                |                      |                        |
|--|--------------------------------------|--|--|--|--|--------------------------------|----------------------|------------------------|
| ADD DIMENSION "Z"<br>EC NO: UCP2010-1081<br>DRWINSI BARRA 2009/10/27<br>CHKD:DMORGAN 2009/11/09<br>APPR:SMILLER 2009/11/09 | QUALITY SYMBOLS<br>∇=0<br>∇=0<br>∇=0 | GENERAL TOLERANCES (UNLESS SPECIFIED)<br>mm INCH<br>4 PLACES ± --- ± ---<br>3 PLACES ± --- ± .005<br>2 PLACES ± 0.13 ± .01<br>1 PLACE ± 0.25 ± ---<br>ANGULAR ± 1/2° |  | DIMENSION STYLE<br>MM/IN<br>DRAWN BY DATE<br>AAB 1993/05/13<br>CHECKED BY DATE<br>AAB 1993/05/13<br>APPROVED BY DATE<br>WAZ 1993/05/13 |  | SCALE<br>4:1                   | DESIGN UNITS<br>INCH | THIRD ANGLE PROJECTION |
|  |                                      | DRAFT WHERE APPLICABLE MUST REMAIN WITHIN DIMENSIONS   |  | MATERIAL NO.<br>SEE TABLE  |  | DOCUMENT NO.<br>SDA-70555-**** | SHEET NO.<br>1 OF 2  |                        |

THIS DRAWING CONTAINS INFORMATION THAT IS PROPRIETARY TO MOLEX INCORPORATED AND SHOULD NOT BE USED WITHOUT WRITTEN PERMISSION

SL RIGHT ANGLE HEADER  
 W/LATCH & TRI-PEGS  
 (2.54)/.100 CENTERS  
**MOLEX INCORPORATED**

| CIRCUIT SIZE | ENGINEERING NUMBER<br>A-70555 | MANUFACTURE<br>RELEASE<br>STATUS | D<br>REF. | E<br>± .010 | PLATE<br>PER<br>ES-<br>88 | CONNECTOR END PLATING |            | P.C. BOARD END PLATING |            | VOIDED<br>CIRCUIT<br>NUMBER |
|--------------|-------------------------------|----------------------------------|-----------|-------------|---------------------------|-----------------------|------------|------------------------|------------|-----------------------------|
|              |                               |                                  |           |             |                           | TYPE                  | H<br>MEAS. | TYPE                   | K<br>MEAS. |                             |
| 2-10         | -0001-0009                    | R.F.M.                           | (3.30)    | (6.10)      | TIN                       | (2.54)                | .100       | TIN                    | (1.27)     | .050                        |
| 11-25        | -0010-0024                    | R.F.M.                           | .130      | .240        |                           |                       |            |                        |            |                             |
| 2-10         | -0036-0044                    | R.F.M.                           | (3.30)    | (6.10)      | 15 GOLD                   | (2.54)                | .100       | TIN                    | (1.27)     | .050                        |
| 11-25        | -0045-0059                    | R.F.M.                           | .130      | .240        |                           |                       |            |                        |            |                             |
| 2-10         | -0071-0079                    | R.F.M.                           | (3.30)    | (6.10)      | 30 GOLD                   | (2.54)                | .100       | TIN                    | (1.27)     | .050                        |
| 11-25        | -0080-0094                    | R.F.M.                           | .130      | .240        |                           |                       |            |                        |            |                             |
| 2-10         | -0106-0114                    | R.F.M.                           | (2.67)    | (6.10)      | 15 GOLD                   | (2.54)                | .100       | TIN                    | (1.27)     | .050                        |
| 11-25        | -0115-0129                    | R.F.M.                           | .105      | .240        |                           |                       |            |                        |            |                             |
| 2-10         | -5001-5009                    | R.F.M.                           | (3.30)    | (6.10)      | TIN                       | (2.54)                | .100       | TIN                    | (1.27)     | .050                        |
| 11-25        | -5010-5024                    | R.F.M.                           | .130      | .240        |                           |                       |            |                        |            |                             |

| CIRCUIT SIZE | ASSEMBLY ITEM NUMBER | ASSEMBLY ITEM NUMBER | ASSEMBLY ITEM NUMBER | ASSEMBLY ITEM NUMBER | ASSEMBLY ITEM NUMBER | ASSEMBLY ITEM NUMBER |
|--------------|----------------------|----------------------|----------------------|----------------------|----------------------|----------------------|
| 2            | 70555-0001           | 70555-0036           | 70555-0071           |                      |                      | 70555-5001           |
| 3            | 70555-0002           | 70555-0037           | 70555-0072           |                      |                      | 70555-5002           |
| 4            | 70555-0003           | 70555-0038           | 70555-0073           | 70555-0108           |                      | 70555-5003           |
| 5            | 70555-0004           | 70555-0039           | 70555-0074           | 70555-0109           |                      | 70555-5004           |
| 6            | 70555-0005           | 70555-0040           | 70555-0075           |                      |                      | 70555-5005           |
| 7            | 70555-0006           | 70555-0041           | 70555-0076           |                      |                      | 70555-5006           |
| 8            | 70555-0007           | 70555-0042           | 70555-0077           |                      |                      | 70555-5007           |
| 9            | 70555-0008           | 70555-0043           | 70555-0078           |                      |                      | 70555-5008           |
| 10           | 70555-0009           | 70555-0044           | 70555-0079           |                      |                      | 70555-5009           |
| 11           | 70555-0010           | 70555-0045           | 70555-0080           |                      |                      | 70555-5010           |
| 12           | 70555-0011           | 70555-0046           | 70555-0081           |                      |                      | 70555-5011           |
| 13           | 70555-0012           | 70555-0047           | 70555-0082           |                      |                      | 70555-5012           |
| 14           | 70555-0013           | 70555-0048           | 70555-0083           |                      |                      | 70555-5013           |
| 15           | 70555-0014           | 70555-0049           | 70555-0084           |                      |                      | 70555-5014           |
| 16           | 70555-0015           | 70555-0050           | 70555-0085           |                      |                      | 70555-5015           |
| 17           | 70555-0016           | 70555-0051           | 70555-0086           |                      |                      | 70555-5016           |
| 18           | 70555-0017           | 70555-0052           | 70555-0087           |                      |                      | 70555-5017           |
| 19           | 70555-0018           | 70555-0053           | 70555-0088           |                      |                      | 70555-5018           |
| 20           | 70555-0019           | 70555-0054           | 70555-0089           |                      |                      | 70555-5019           |
| 21           | 70555-0020           | 70555-0055           | 70555-0090           |                      |                      | 70555-5020           |
| 22           | 70555-0021           | 70555-0056           | 70555-0091           |                      |                      | 70555-5021           |
| 23           | 70555-0022           | 70555-0057           | 70555-0092           |                      |                      | 70555-5022           |
| 24           | 70555-0023           | 70555-0058           | 70555-0093           |                      |                      | 70555-5023           |
| 25           | 70555-0024           | 70555-0059           | 70555-0094           |                      |                      | 70555-5024           |

\*X\* IN COLUMN UNDER "ASSEMBLY ITEM NUMBER " HEADING DENOTES TOOLING NOT AVAILABLE

| <b>SEE SHEET 1</b><br>EC NO: UCP2010-1081<br>DRINKINS BARRA 200910127<br>CHYKHOJORGAN 200911109<br>APPR:SMILLER 200911109 | QUALITY SYMBOLS<br>▽=0<br>▽=0<br>▽=0 | GENERAL TOLERANCES (UNLESS SPECIFIED)   |       | DIMENSION STYLE<br>MM/IN         |      | SCALE<br>4:1  | DESIGN UNITS<br>INCH | THIRD ANGLE PROJECTION |                |        |                 |       |                |       |                                 |  |                                   |  |   |  |
|---|--------------------------------------|---|-------|----------------------------------|------|---|----------------------|------------------------|----------------|--------|-----------------|-------|----------------|-------|---------------------------------|--|-----------------------------------|--|---|--|
|   |                                      | <table border="1"> <tr><th>mm</th><th>INCH</th></tr> <tr><td>4 PLACES ± ---</td><td>± ---</td></tr> <tr><td>3 PLACES ± ---</td><td>± .005</td></tr> <tr><td>2 PLACES ± 0.13</td><td>± .01</td></tr> <tr><td>1 PLACE ± 0.25</td><td>± ---</td></tr> </table> |       | mm                               | INCH | 4 PLACES ± ---  | ± ---                |                        | 3 PLACES ± --- | ± .005 | 2 PLACES ± 0.13 | ± .01 | 1 PLACE ± 0.25 | ± --- | DRAWN BY DATE<br>AAB 1993/05/13 |  | CHECKED BY DATE<br>AAB 1993/05/13 |  | <b>SL RIGHT ANGLE HEADER<br/>W/LATCH &amp; TRI-PEGS<br/>(2.54)/.100 CENTERS</b> |  |
|   |                                      | mm  | INCH  |                                  |      |   |                      |                        |                |        |                 |       |                |       |                                 |  |                                   |  |   |  |
|   |                                      | 4 PLACES ± ---  | ± --- |                                  |      |   |                      |                        |                |        |                 |       |                |       |                                 |  |                                   |  |   |  |
| 3 PLACES ± ---  | ± .005                               |   |       |                                  |      |   |                      |                        |                |        |                 |       |                |       |                                 |  |                                   |  |   |  |
| 2 PLACES ± 0.13   | ± .01                                |   |       |                                  |      |   |                      |                        |                |        |                 |       |                |       |                                 |  |                                   |  |   |  |
| 1 PLACE ± 0.25  | ± ---                                |   |       |                                  |      |   |                      |                        |                |        |                 |       |                |       |                                 |  |                                   |  |   |  |
| ANGULAR ±1/2°   |                                      | APPROVED BY DATE<br>WAZ 1993/05/13  |       | MATERIAL NO.<br><b>SEE TABLE</b> |      | DOCUMENT NO.<br><b>SDA-70555-****</b>   |                      |                        |                |        |                 |       |                |       |                                 |  |                                   |  |   |  |
| DRAFT WHERE APPLICABLE MUST REMAIN WITHIN DIMENSIONS  |                                      |   |       | SIZE<br>C                        |      | THIS DRAWING CONTAINS INFORMATION THAT IS PROPRIETARY TO MOLEX INCORPORATED AND SHOULD NOT BE USED WITHOUT WRITTEN PERMISSION |                      |                        |                |        |                 |       |                |       |                                 |  |                                   |  |   |  |