

Slim Line Hybrid for Infineon 0803-6500-20



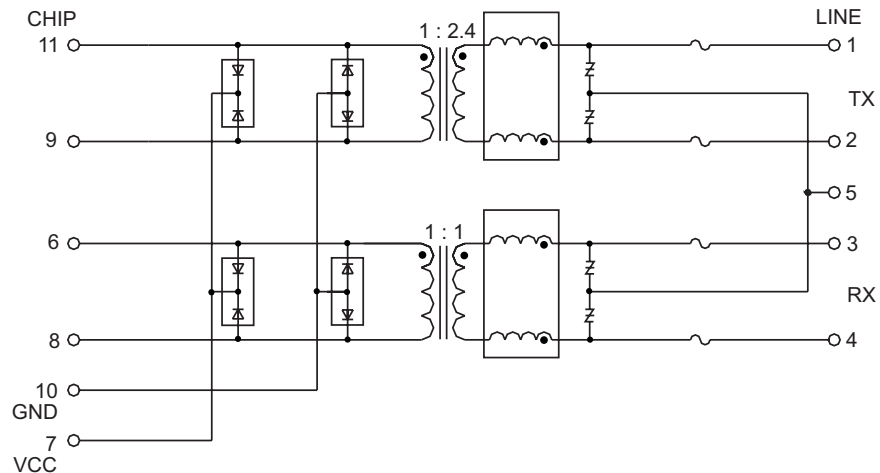
FEATURES

- Supports Infineon Quad Liu PEB 22504 chipset for T1/E1 long and short haul applications
- Wide temperature range (-40° to 85° C)
- Minimum board space requirement, ideal for multiple interface line cards
- Metallic protection circuit designed to meet Telcordia GR1089 for first level and second level lightning and power line cross events
- Designed to meet supplementary isolation 1500V, working voltage 250V of UL60950 (approval pending)

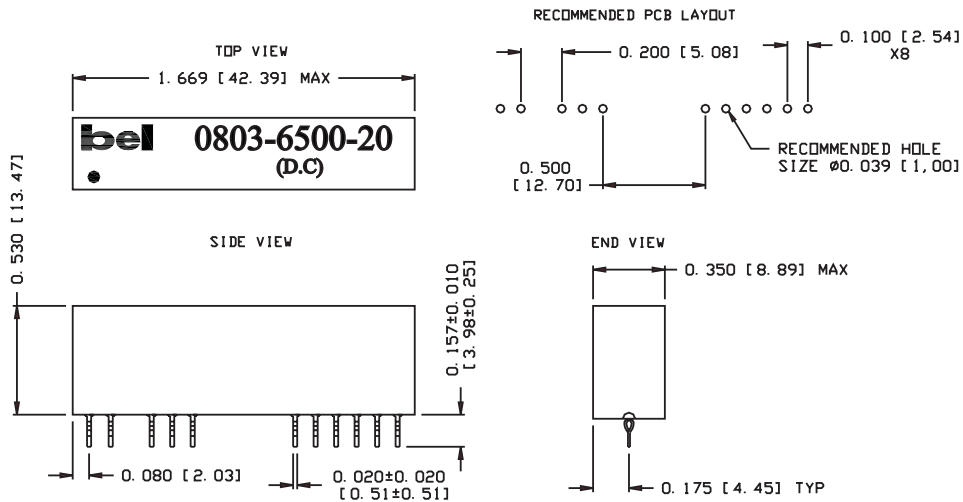
SPECIFICATIONS @ -40° TO +85° C (RX AND TX)

IWC pF max	DCR max	OCL (Line) mH min	LL μH max max	RX TR Chip : Line	TX TR Chip : Line
35	0.8R	1.2	0.5	1 : 1	1 : 2.4

SCHEMATIC



MECHANICAL



NOTE: ALL DIMENSIONS IN INCHES [MM]

©2007 Bel Fuse Inc. Specifications subject to change without notice. 11.01.07



Slim Line Hybrid for Infineon
0803-6500-20



PROTECTION CIRCUIT - COMPONENT SPECIFICATIONS

Two element line side (over voltage/over current) protection scheme designed to meet Telcordia GR1089.

LINE SIDE OVER VOLTAGE PROTECTION

- Discrete longitudinal solution using semiconductor devices.

O/V PROTECTION DEVICE RATINGS

Peak Off State Voltage	Switching Voltage	On State Voltage	Leakage Current μ A	Switching Current max	On State Current	Holding Current mA	Off State Capacitance pF
160V	220V	5V	5	800A	1A	150	40

LINE SIDE OVER CURRENT PROTECTION

- Surface mount power cross protection fuses designed to meet UL 1950/60950 & Telcordia GR1089.

FUSE RATINGS

Ampere Rating	Voltage Rating	DCR Ω	Voltage Drop@ I max	Peak Surge Current	Maximum Power Dissipation
1.25A	600V	0.090	0.18V	100	0.4W

CHIP SIDE OVER VOLTAGE PROTECTION

- Diode over voltage protection provided with respect to GND and VCC.

DIODE RATINGS

VRRM max	IF (AV) mA max	IFSM max	TSTG	TJ max	PD max	VR max	VF	IR	CT
200V	200	1A	-55° to +150° C	150°	200V	200V	1.1V @ 0.87A min	5uA @ 180V max	4pF @ 1MHz max

©2007 Bel Fuse Inc. Specifications subject to change without notice. 11.01.07

CORPORATE

Bel Fuse Inc.
206 Van Vorst Street
Jersey City, NJ 07302
Tel 201-432-0463
Fax 201-432-9542
www.belfuse.com

FAR EAST

Bel Fuse Ltd.
8F / 8 Luk Hop Street
San Po Kong
Kowloon, Hong Kong
Tel 852-2328-5515
Fax 852-2352-3706
www.belfuse.com

EUROPE

Bel Stewart Connector
45/46 Riverside
Medway City Estate
Rochester, Kent ME2 4DP U.K.
Tel 44-1634-722890
Fax 44-1634-716677
www.belfuse.com