

**PLEASE CHECK WWW.MOLEX.COM FOR LATEST PART INFORMATION**

**Part Number:** [1300980064](#)  
**Status:** **Active**  
**Overview:** [brad wire mesh grips](#)  
**Description:** MAX-LOC® Strain Relief Cord-Sealing Grip, 1/2" NPT, Straight Female with O-Ring, Cable Diameter 7.93-9.53mm (.312-.375")

**Documents:**

[Drawing \(PDF\)](#) [RoHS Certificate of Compliance \(PDF\)](#)

**Agency Certification**

CSA LR32159  
 UL E76954

**General**

Product Family Cable Grips  
 Series [130098](#)  
 Eye Type N/A  
 Insulated No  
 NEMA Rating NEMA 6  
 O-Ring Yes  
 Overview [brad wire mesh grips](#)  
 Product Name MAX-LOC®  
 Type Strain Relief Grips  
 Use With [1300990143](#) 1/2" NPT MAX-LOC® Lock Nut,  
[1301800314](#) 1/2" MAX-LOC O-Ring  
 Woodhead Yes

**Physical**

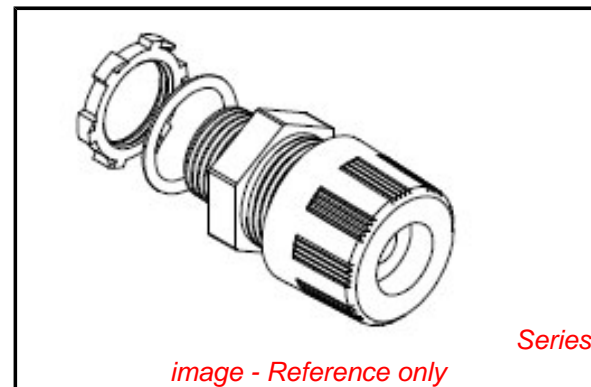
Approximate Break Strength N/A  
 Bale Length N/A  
 Body Style Straight  
 Cable Diameter 7.93-9.53mm (.312-.375")  
 Color - Grommet Gray  
 Gender Female  
 Material - Body Nylon  
 Material - Grip N/A  
 Mesh Length N/A  
 Number of Holes 2  
 Strain Relief Force 35 lbs  
 Thread Size 1/2" NPT

**Material Info**

Old Part Number 5526W

**Reference - Drawing Numbers**

Sales Drawing SD-130098-004



**EU RoHS**

**ELV and RoHS  
 Compliant  
 REACH SVHC  
 Not Reviewed  
 Halogen-Free  
 Status  
 Not Reviewed**

**China RoHS**

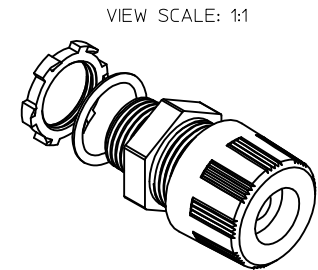
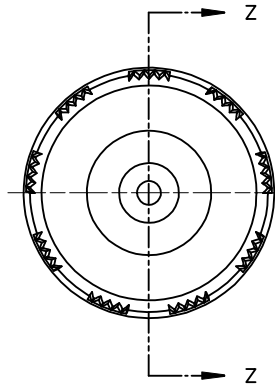
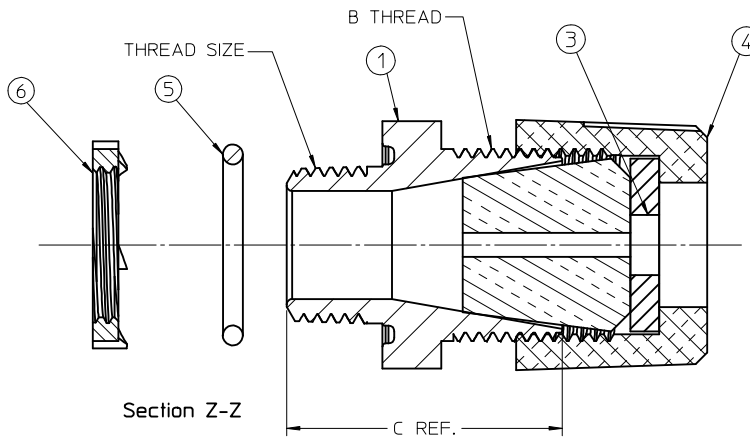
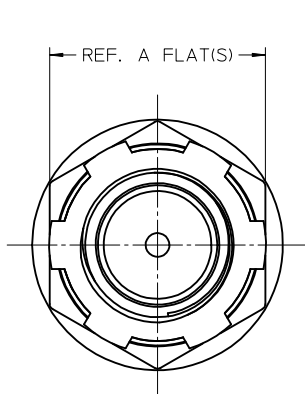


**Need more information on product  
 environmental compliance?**

Email [productcompliance@molex.com](mailto:productcompliance@molex.com)  
 For a multiple part number RoHS Certificate of  
 Compliance, [click here](#)

Please visit the [Contact Us](#) section for any  
 non-product compliance questions.

**Search Parts in this Series**  
[130098Series](#)



| MATERIAL NO. | OLD PART NO. | THREAD SIZE | CABLE DIA. RANGE        | A           | B        | C           | ITEM 1 COLOR | ITEM 2 MATERIAL | ITEM 2 COLOR | ITEM 3 MATERIAL | ITEM 4 MATERIAL | ITEM 4 COLOR |
|--------------|--------------|-------------|-------------------------|-------------|----------|-------------|--------------|-----------------|--------------|-----------------|-----------------|--------------|
| 1300980038   | 5518W        | 1/2" NPT    | .062-.125 / 1.57-3.18   | 1.13 / 28.7 | 1"-14    | 1.44 / 36.6 | GRAY         | NITRILE         | BLACK        | HDPE            | NYLON           | GRAY         |
| 1300980043   | 5520W        |             | .125-.187 / 3.18-4.75   |             |          |             |              |                 | YELLOW       |                 |                 |              |
| 1300980049   | 5522W        |             | .187-.250 / 4.75-6.35   |             |          |             |              |                 | ORANGE       |                 |                 |              |
| 1300980056   | 5524W        |             | .250-.312 / 6.35-7.92   |             |          |             |              |                 | BLACK        |                 |                 |              |
| 1300980064   | 5526W        |             | .312-.375 / 7.92-9.53   |             |          |             |              |                 | GRAY         |                 |                 |              |
| 1300980071   | 5528W        |             | .375-.437 / 9.53-11.10  |             |          |             |              |                 | GREEN        |                 |                 |              |
| 1300980078   | 5530W        |             | .437-.500 / 11.10-12.70 |             |          |             |              |                 | ORANGE       |                 |                 |              |
| 1300980086   | 5532W        |             | .500-.562 / 12.70-14.27 |             |          |             |              |                 | BLACK        |                 |                 |              |
| 1300980215   | 5620W        | 3/4" NPT    | .187-.250 / 4.75-6.35   | 1.38 / 35.1 | 1 1/4-14 | 1.69 / 42.9 | GRAY         | NITRILE         | ORANGE       | HDPE            | NYLON           | GRAY         |
| 1300980221   | 5622W        |             | .250-.375 / 6.35-9.53   |             |          |             |              |                 | GRAY         |                 |                 |              |
| 1300980227   | 5624W        |             | .375-.437 / 9.53-11.10  |             |          |             |              |                 | GREEN        |                 |                 |              |
| 1300980099   | 5536W        |             | .437-.562 / 11.10-14.27 |             |          |             |              |                 | BLACK        |                 |                 |              |
| 1300980107   | 5538W        |             | .500-.625 / 12.70-15.87 |             |          |             |              |                 | GRAY         |                 |                 |              |
| 1300980114   | 5540W        |             | .562-.687 / 14.27-17.45 |             |          |             |              |                 | GREEN        |                 |                 |              |
| 1300980121   | 5542W        |             | .625-.750 / 15.87-19.05 |             |          |             |              |                 | ORANGE       |                 |                 |              |

NOTES:  
 1. MATERIAL: SEE TABLE  
 2. FINISHES: SEE TABLE  
 3. NEMA RATING: NEMA 6P  
 4. RoHS COMPLIANT: YES

| 6    | 1    | LOCKNUT              | STEEL     | ZINC PLATED     |
|------|------|----------------------|-----------|-----------------|
| 5    | 1    | O-RING FOR 3/4" BODY | BUNA-N    | BLACK           |
|      |      | O-RING FOR 1/2" BODY | NEOPRENE  | BLACK           |
| 4    | 1    | COMPRESSION NUT      | SEE CHART | SEE CHART       |
| 3    | 1    | COMPRESSION RING     | SEE CHART | NATURAL (WHITE) |
| 2    | 1    | GROMMET              | SEE CHART | SEE CHART       |
| 1    | 1    | STRAIGHT MALE BODY   | NYLON     | SEE CHART       |
| ITEM | QTY. | DESCRIPTION          | MATERIAL  | FINISH          |

RELEASED  
 EC NO: MNAZ009-0534  
 DRWR:STONE 2009/03/11  
 CHKD:B WOODMAN  
 APPR:J MURPHY 2009/04/17

QUALITY SYMBOLS  
 ▽=0  
 ▽=0

GENERAL TOLERANCES (UNLESS SPECIFIED)  
 mm INCH  
 4 PLACES ± --- ± ---  
 3 PLACES ± --- ± ---  
 2 PLACES ± --- ± .010  
 1 PLACE ± 0.3 ± ---  
 ANGULAR ± 1/2°

DRAFT WHERE APPLICABLE  
 MUST REMAIN  
 WITHIN DIMENSIONS

DIMENSION STYLE  
 IN/MM

DRAWN BY DATE  
 R. STONE 2009/03/05

CHECKED BY DATE  
 B. WOODMAN 2009/03/07

APPROVED BY DATE  
 J. MURPHY 2009/03/09

MATERIAL NO.  
 SEE CHART

SCALE 2:1  
 DESIGN UNITS INCH  
 THIRD ANGLE PROJECTION

TITLE  
 MAX-LOC STRAIN RELIEF  
 CORD GRIP, STRAIGHT MALE  
 WITH O-RING

MOLEX MOLEX INCORPORATED

DOCUMENT NO. SD-130098-004  
 SHEET NO. 1 OF 1

THIS DRAWING CONTAINS INFORMATION THAT IS PROPRIETARY TO MOLEX INCORPORATED AND SHOULD NOT BE USED WITHOUT WRITTEN PERMISSION