

PLEASE CHECK WWW.MOLEX.COM FOR LATEST PART INFORMATION

Part Number: [0050650107](#)
Status: **Active**
Overview: [cgrid_sl_products](#)
Description: 2.54mm (.100") Pitch, SL™ Single Row Wire-to-Wire Panel Mount, 7 Circuits

Documents:

[3D Model](#) [Drawing \(PDF\)](#)
[Packaging Specification \(PDF\)](#) [RoHS Certificate of Compliance \(PDF\)](#)

Agency Certification

CSA	LR19980
TUV	R72081037
UL	E29179

General

Product Family	Accessories
Series	70104
Component Type	Branch
Overview	cgrid_sl_products
Product Name	SL™

Physical

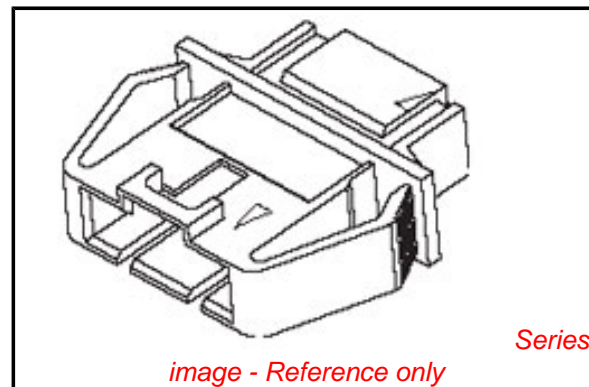
Circuits (Loaded)	7
Color - Resin	Black
Flammability	94V-0
Lock to Mating Part	Yes
Material - Resin	Polyester
Packaging Type	Bag

Material Info

Old Part Number	70104-0006
-----------------	------------

Reference - Drawing Numbers

Sales Drawing	SD-70104-0003-0024
---------------	--------------------



EU RoHS

**ELV and RoHS
Compliant**
**REACH SVHC
Contains SVHC: No**
**Halogen-Free
Status
Not Reviewed**

China RoHS



**Need more information on product
environmental compliance?**

Email productcompliance@molex.com
For a multiple part number RoHS Certificate of
Compliance, [click here](#)

Please visit the [Contact Us](#) section for any
non-product compliance questions.

Search Parts in this Series

[70104Series](#)

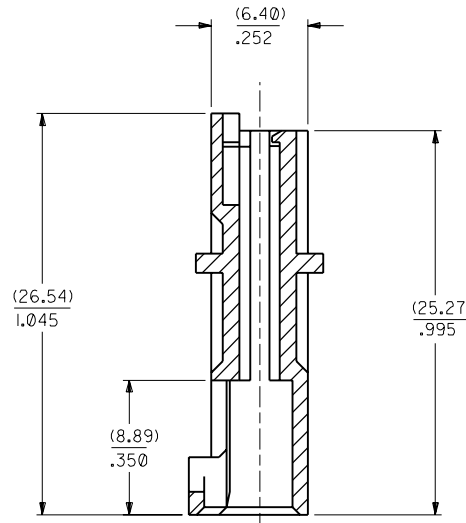
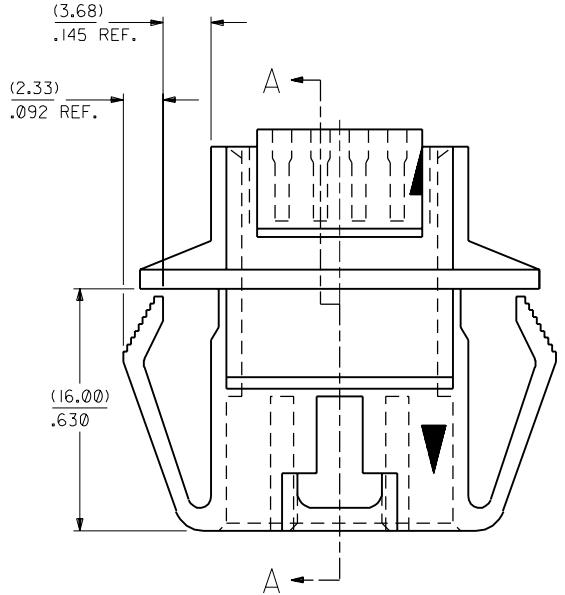
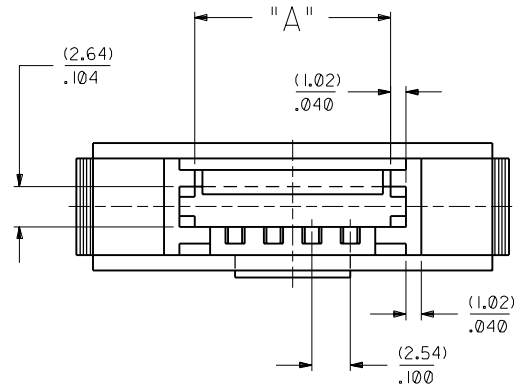
Use With

[70066](#) SL™ Crimp Housing. [70475](#) SL™
IDT Connector Assembly. [70431](#) SL™ FFC/
FPC Connector

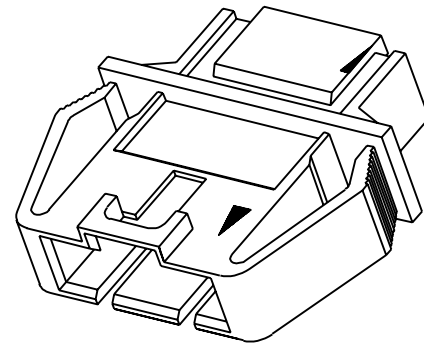
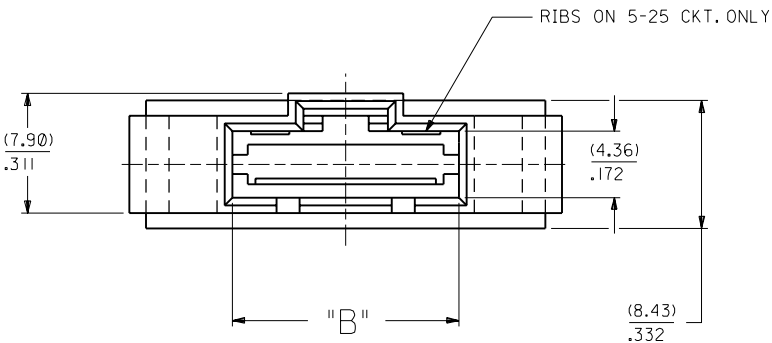
NOTES

- 1) MATERIAL : POLYESTER, 94V-0
COLOR : BLACK
- 2) SEE CHART FOR CIRCUIT SIZES .
- 3) HOUSING TO BE USED WITH 70400 SERIES HOUSING (OPTION "D" & INTERIM CLIP 70004 (VERSION A)
- 4) PANEL THICKNESS (0.81)/.032 - (2.36)/.093
- 5) SEE SHEET 2 FOR MOUNTING HOLE DIMENSIONS .
- 6) PACKAGE PER PK-70104-100.

CKT. NO.	EDP. NO.	ENG. NO.	DIM. A	DIM. B
4	50-65-0104	70104-0003	(10.29) .405	(12.45) .490
5	50-65-0105	70104-0004	(12.83) .505	(14.99) .590
6	50-65-0106	70104-0005	(15.37) .605	(17.53) .690
7	50-65-0107	70104-0006	(17.91) .705	(20.07) .790
8	50-65-0108	70104-0007	(20.45) .805	(22.61) .890
9	50-65-0109	70104-0008	(22.99) .905	(25.15) .990
10	50-65-0110	70104-0009	(25.53) 1.005	(27.69) 1.090
11	50-65-0111	70104-0010	(28.07) 1.105	(30.23) 1.190
12	50-65-0112	70104-0011	(30.61) 1.205	(32.77) 1.290
13	50-65-0113	70104-0012	(33.15) 1.305	(35.31) 1.390
14	50-65-0114	70104-0013	(35.69) 1.405	(37.89) 1.490
15	50-65-0115	70104-0014	(38.23) 1.505	(40.39) 1.590
16	50-65-0116	70104-0015	(40.77) 1.605	(42.93) 1.690
17	50-65-0117	70104-0016	(43.31) 1.705	(45.47) 1.790
18	50-65-0118	70104-0017	(45.85) 1.805	(48.01) 1.890
19	50-65-0119	70104-0018	(48.39) 1.905	(50.55) 1.990
20	50-65-0120	70104-0019	(50.93) 2.005	(53.09) 2.090
21	50-65-0121	70104-0020	(53.47) 2.105	(55.63) 2.190
22	50-65-0122	70104-0021	(56.01) 2.205	(58.17) 2.290
23	50-65-0123	70104-0022	(58.55) 2.305	(60.71) 2.390
24	50-65-0124	70104-0023	(61.09) 2.405	(63.25) 2.490
25	50-65-0125	70104-0024	(63.63) 2.505	(65.79) 2.590

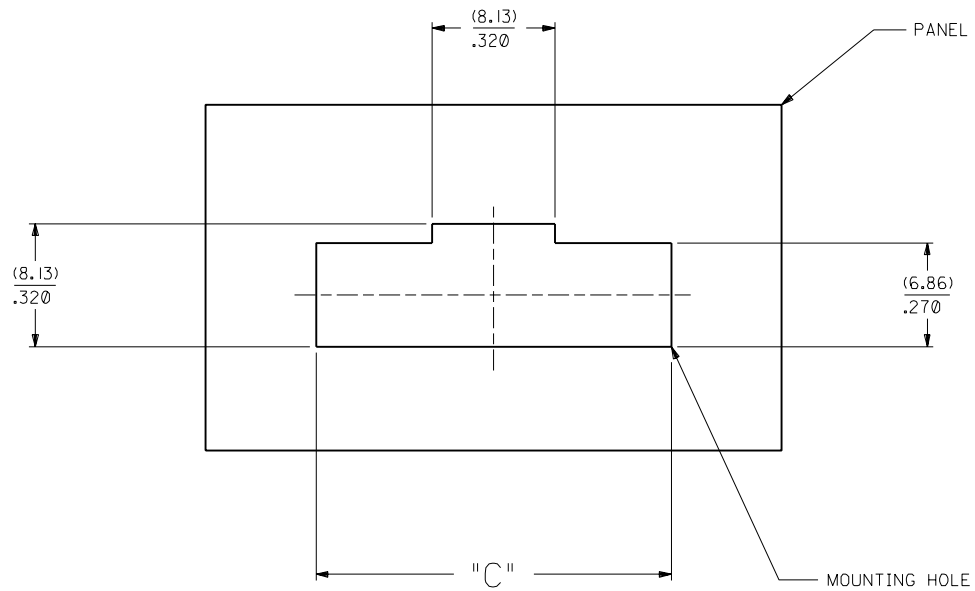


SECTION A-A



REVISIONS I ADD PKG NOTE PER UDT2000-0468 SCHAFER 99/12/1 G REVISED RIBS AND DIM "A" PER E.C.R #9776 06/11/87 M.J.M. H REVISE PER ECR #L00070 4/27/88 M.J.M.		REDRAWN ON CAD PER ECR # 9120 5/5/86 WZ DRAFT WHERE APPLICABLE MUST REMAIN WITHIN DIMENSIONS		DIMENSIONS SHOWN (METRIC) INCH UNLESS OTHERWISE SPECIFIED TOLERANCES: ANGULAR ± 1/2° 5 PLACE ± .010 --- 2 PLACE ± .014 ± 0.25 1 PLACE --- ± 0.35		REVISE ONLY ON CAD SYSTEM TITLE HOUSING PANEL MOUNT (INTERIM CLIP TO OPT. "D" HSG.) MOLEX INCORPORATED SHEET NO. 1 OF 2 DATE 4/25/86 PART NO. SD-70104-0003-0024 DRWG. NO. SD-70104-0003-0024 FILE NAME S70104X1.DWG THIS DRAWING CONTAINS INFORMATION THAT IS PROPRIETARY TO MOLEX INC. AND SHOULD NOT BE USED WITHOUT WRITTEN PERMISSION.	
LTR.	REVISIONS	LTR.	REVISIONS	DRW. BY ME	CHK'D. BY WZ	SCALE 4 : 1	APP'D. BY RL

2	F
1	I
MFG. SH. REV.	



RECOMMENDED MOUNTING HOLE LAYOUT

CKT. NO.	EDP. NO.	ENG. NO.	DIM. C
4	50-65-0104	70104-0003	(20.95) / .825
5	50-65-0105	70104-0004	(23.49) / .925
6	50-65-0106	70104-0005	(26.03) / 1.025
7	50-65-0107	70104-0006	(28.57) / 1.125
8	50-65-0108	70104-0007	(31.11) / 1.225
9	50-65-0109	70104-0008	(33.65) / 1.325
10	50-65-0110	70104-0009	(36.19) / 1.425
11	50-65-0111	70104-0010	(38.73) / 1.525
12	50-65-0112	70104-0011	(41.27) / 1.625
13	50-65-0113	70104-0012	(43.81) / 1.725
14	50-65-0114	70104-0013	(46.35) / 1.825
15	50-65-0115	70104-0014	(48.89) / 1.925
16	50-65-0116	70104-0015	(51.43) / 2.025
17	50-65-0117	70104-0016	(53.97) / 2.125
18	50-65-0118	70104-0017	(56.51) / 2.225
19	50-65-0119	70104-0018	(59.05) / 2.325
20	50-65-0120	70104-0019	(61.59) / 2.425
21	50-65-0121	70104-0020	(64.13) / 2.525
22	50-65-0122	70104-0021	(66.67) / 2.625
23	50-65-0123	70104-0022	(69.21) / 2.725
24	50-65-0124	70104-0023	(71.75) / 2.825
25	50-65-0125	70104-0024	(74.29) / 2.925

LTR.	REVISIONS	LTR.	REVISIONS
		F	SEE SHEET 1

DIMENSIONS SHOWN (METRIC) INCH	
UNLESS OTHERWISE SPECIFIED TOLERANCES: ANGULAR 1/2°	
3 PLACE	± .005
2 PLACE	± .01 ± 0.13
1 PLACE	--- ± 0.25
DRAFT WHERE APPLICABLE MUST REMAIN WITHIN DIMENSIONS	
DRWG. BY: ME	CHK'D. BY: WZ
APP'D. BY: RL	SCALE: 4 : 1

MFG. SH. REV.		REVISE ONLY ON CAD SYSTEM	
TITLE: HOUSING PANEL MOUNT (INTERIM CLIP TO OPT. "G" HSG.)			
MOLEX INCORPORATED L15LEJLL 60532 U.S.A.		SHEET NO. 2	DATE 4/11/86
PART NO. SD-70104-0003-0024		DRWG. NO.	
FILE NAME: S70104X2 THIS DRAWING CONTAINS INFORMATION THAT IS PROPRIETARY TO MOLEX INC. AND SHOULD NOT BE USED WITHOUT WRITTEN PERMISSION.			
DRWG. NO. SD-70104-0003-0024	SIZE C		