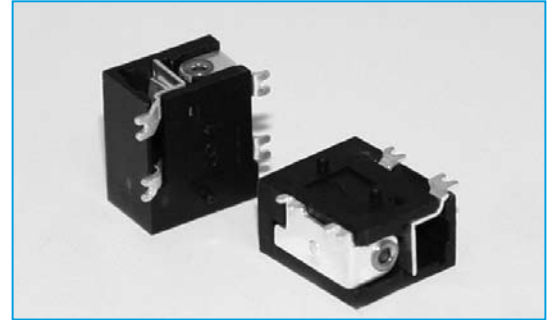


**AUDIO**

- Competitively priced
- Industry compatible
- Surface Mount

**SMT DC JACK SOCKET**



**SPECIFICATION**

**Contact resistance (DCR 0.1A)**

**1, Initial, before any testing:**

- (1) Between the terminals (NC): 30mΩ
- (2) Plug to sleeve, tip, ring (NO) contact: 50mΩ

**2, After life test with mating plug:**

- (1) Between the terminals (NC): 60mΩ
- (2) Plug to sleeve, tip, ring (NO) contact: 100mΩ

**Insertion Force:**

0.3kg - 1.5kg                      Terminals must withstand a 500g minimum pull for 10 seconds

**Extraction Force:**

0.3kg - 1.5kg                      before movement or break from housing occurs

**Soldering Heat:**

Terminal for PC board temperature: 260± 5 °C for 5-+ 1.0 seconds

**Operating Temperature range:**

-25 °C to 80 °C

**Insulating Resistance:**

More than 100MΩ by 500v DC at 90-95% RH, 40 °C

**Voltage Test:**

Withstand 0.5mA 500v AC between any open terminal for one minute

**Lifetime:**

Withstand more than 5000 cycle's insertion and withdrawal with testing plug

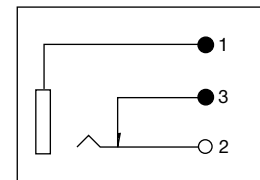
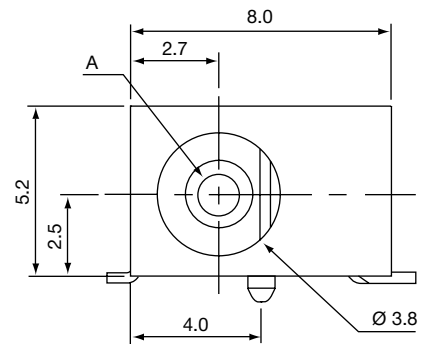
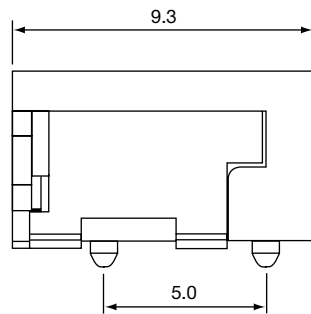
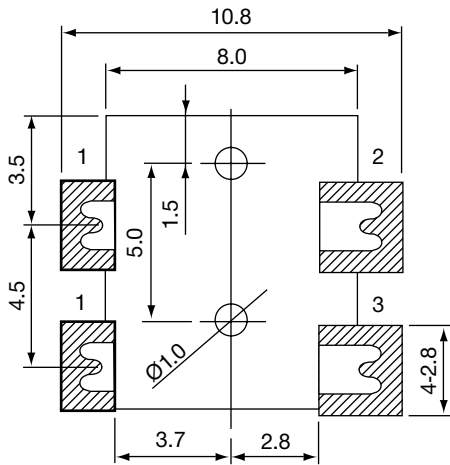
**Rated Voltage:**

16vdc

**Rated Current:**

20mA - 0.3A

**OUTLINE DRAWING**



**ORDERING INFORMATION**

DBC	PJ	0217T	-1.3
Dubilier Connectors	DC Jack Socket Connector	Series	1.3 = 1.3mm 1.0 = 1.0mm