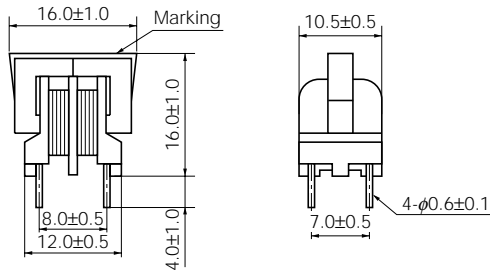


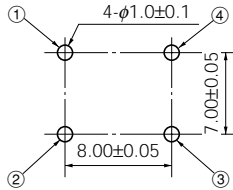
Series M

● Type 11M

Dimensions in mm (not to scale)

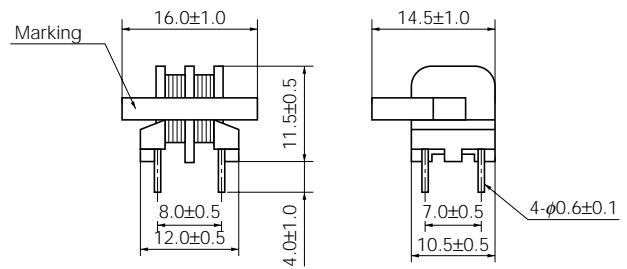


Recommended PWB piercing plan

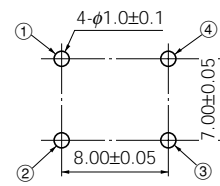


● Type 14M

Dimensions in mm (not to scale)



Recommended PWB piercing plan



● Standard Parts (Vertical type)

Part No.	Marking	Inductance (mH) min. (Tol ±20 %)	*R _{bc} (Ω) [at 20 °C] max.	Current (A rms) max.
ELF11M010E	010E	30.0	9.70	0.1
ELF11M020E	020E	12.0	4.30	0.2
ELF11M030E	030E	6.0	2.30	0.3
ELF11M040E	040E	3.5	1.35	0.4
ELF11M050E	050E	2.5	0.93	0.5
ELF11M060E	060E	1.5	0.58	0.6
ELF11M070E	070E	1.0	0.36	0.7
ELF11M080E	080E	0.8	0.33	0.8
ELF11M090E	090E	0.7	0.28	0.9
ELF11M100E	100E	0.5	0.25	1.0

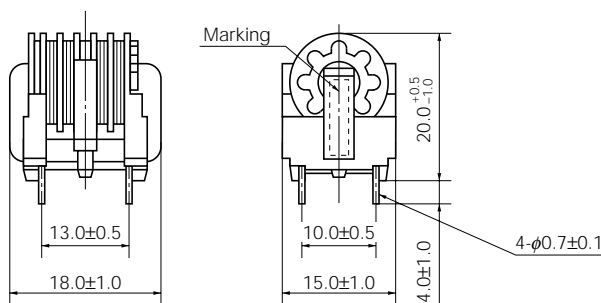
● Standard Parts (Horizontal type)

Part No.	Marking	Inductance (mH) min. (Tol ±20 %)	*R _{bc} (Ω) [at 20 °C] max.	Current (A rms) max.
ELF14M010E	010E	30.0	9.70	0.1
ELF14M020E	020E	12.0	4.30	0.2
ELF14M030E	030E	6.0	2.30	0.3
ELF14M040E	040E	3.5	1.35	0.4
ELF14M050E	050E	2.5	0.93	0.5
ELF14M060E	060E	1.5	0.58	0.6
ELF14M070E	070E	1.0	0.36	0.7
ELF14M080E	080E	0.8	0.33	0.8
ELF14M090E	090E	0.7	0.28	0.9
ELF14M100E	100E	0.5	0.25	1.0

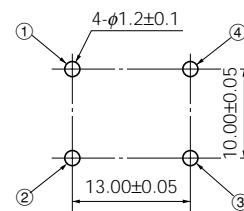
* DC Resistance

● Type 16M

Dimensions in mm (not to scale)



Recommended PWB piercing plan



● Standard Parts

Part No.	Marking	Inductance (mH) min. (Tol ±20 %)	*R _{bc} (Ω) [at 20 °C] max.	Current (A rms) max.	Part No.	Marking	Inductance (mH) min. (Tol ±20 %)	*R _{bc} (Ω) [at 20 °C] max.	Current (A rms) max.
ELF16M020A	020A	28.0	3.650	0.2	ELF16M080A	080A	3.5	0.400	0.8
ELF16M030A	030A	20.0	2.700	0.3	ELF16M100A	100A	2.0	0.270	1.0
ELF16M040A	040A	15.0	1.800	0.4	ELF16M130A	130A	1.0	0.160	1.3
ELF16M050A	050A	8.0	0.980	0.5	ELF16M150A	150A	0.8	0.110	1.5
ELF16M060A	060A	7.0	0.800	0.6	ELF16M170A	170A	0.6	0.078	1.7
ELF16M070A	070A	5.0	0.550	0.7	ELF16M200A	200A	0.5	0.070	2.0

* DC Resistance

Design and specifications are each subject to change without notice. Ask factory for the current technical specifications before purchase and/or use. Should a safety concern arise regarding this product, please be sure to contact us immediately.