

Customer Name	Standard specification	FUJITSU MEDIA DEVICES LIMITED	
Application	IF Filter for Terrestrial-TV		
System	South America		
Center Frequency	36.125 MHz	DATE	Jun. 27 2003
FMD Part Number	FAR-F4SE-36M125-A001	Version 1.1	

Table 1 Electrical Specification (Ta=25°C)

Items	Conditions	Specification			Unit	Remarks
		Min.	Typ.	Max.		
Center Frequency		–	36.125	–	MHz	
Insertion Loss	36.125 MHz	16.6	18.1	19.6	dB	
Pass Bandwidth	3 dB	–	6.1	–	MHz	
	30 dB	–	7.4	–	MHz	
Relative level	26.125 ~ 30.125 MHz	–	-44	-37	dB	
	30.125 ~ 32.125 MHz	–	-38	-30	dB	
	33.125 MHz	-4.0	-2.4	–	dB	
	33.595 MHz	–	0.3	–	dB	
	36.125 MHz	–	0	–	dB	Reference
	38.655 MHz	–	-0.2	-	dB	
	39.125 MHz	-4.0	-2.6	-	dB	
	40.125 ~ 42.125 MHz	–	-35	-30	dB	
	42.125 ~ 46.125 MHz	-	-40	-35	dB	
Amplitude ripple (p-p)	33.595 ~ 38.655 MHz	-	0.6	1.0	dB	
Group delay ripple (p-p)	33.125 ~ 39.125 MHz	–	30	–	ns	
Input Capacitance	Cin (1.0 MHz)	–	14.0	–	pF	
Output Capacitance	Cout (1.0 MHz)	–	2.8	–	pF	
Temperature coefficient		–	-72	–	ppm/°C	

Customer Name	Standard specification	FUJITSU MEDIA DEVICES LIMITED	
Application	IF Filter for Terrestrial-TV		
System	South America		
Center Frequency	36.125 MHz	DATE	Jun. 27 2003
FMD Part Number	FAR-F4SE-36M125-A001	Version 1.1	

● **Dimensions**

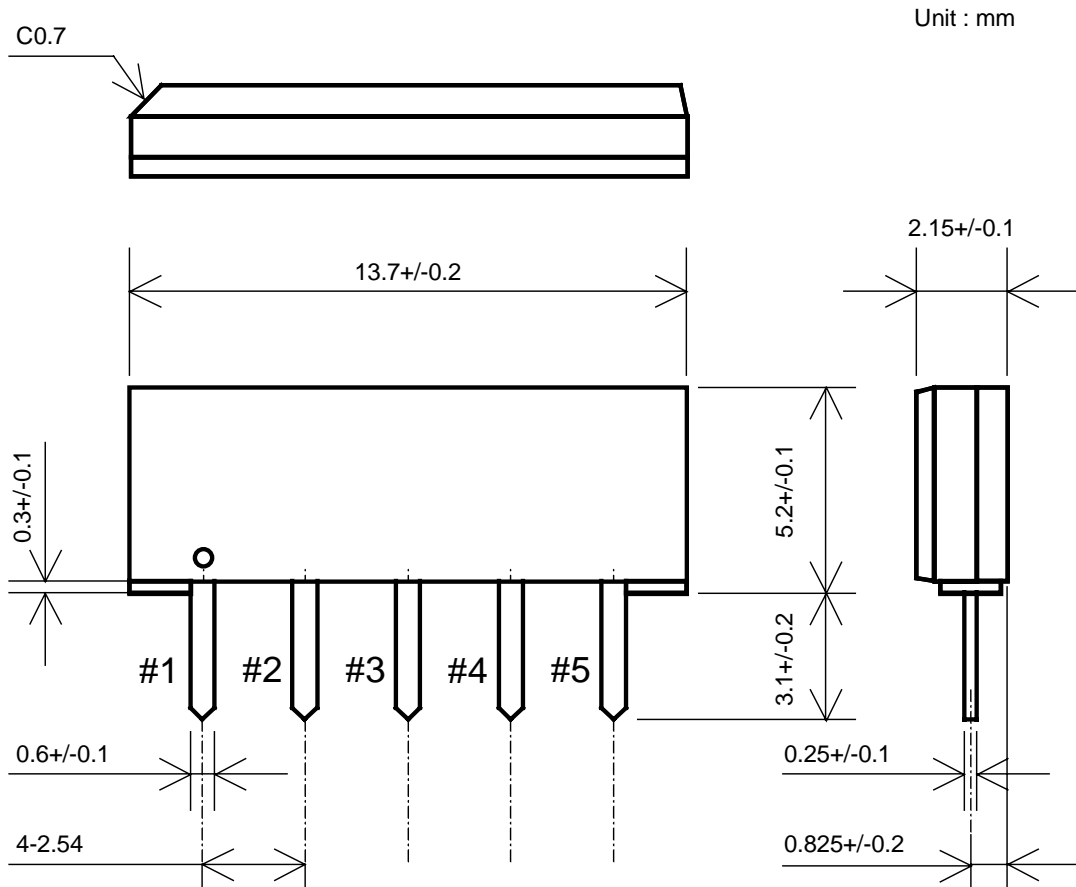


Fig.1

● **Pin Configuration**

Table 2

Pin No.	Symbol	Function
#1	IN	Input
#2	IN(GND)	Input(Ground)
#3	GND	Ground
#4	OUT	Output
#5	OUT	Output

Customer Name	Standard specification	FUJITSU MEDIA DEVICES LIMITED	
Application	IF Filter for Terrestrial-TV		
System	South America		
Center Frequency	36.125 MHz	DATE	Jun. 27 2003
FMD Part Number	FAR-F4SE-36M125-A001	Version 1.1	

● **Evaluation Circuit**

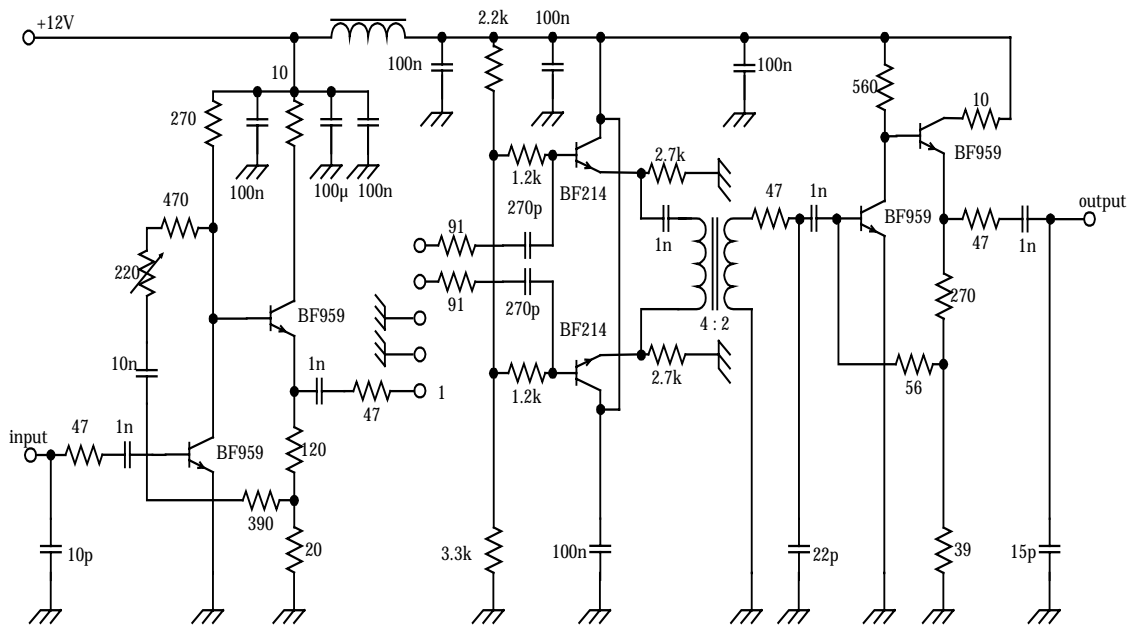


Fig.2 Evaluation circuit

● **Equivalent Circuit**

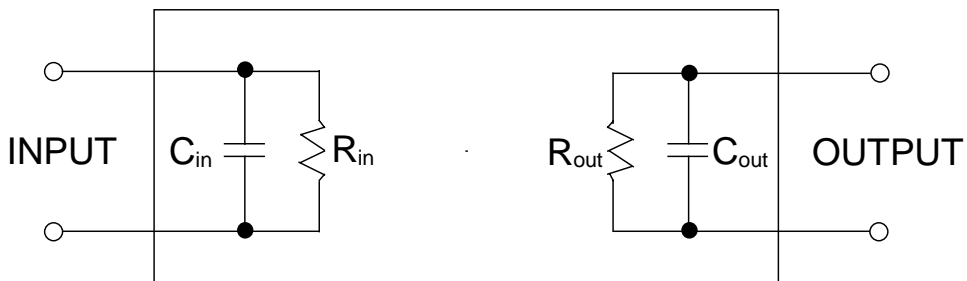
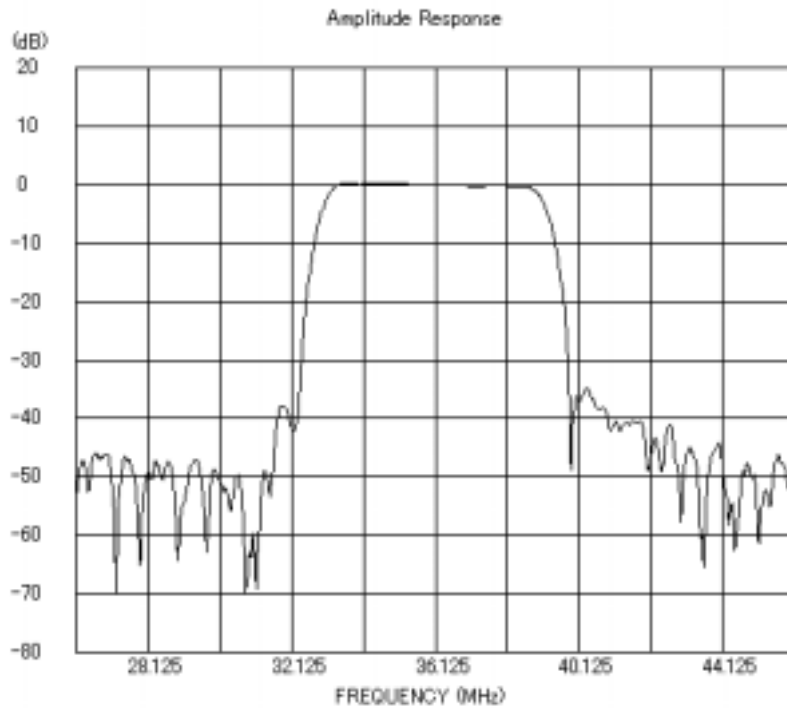
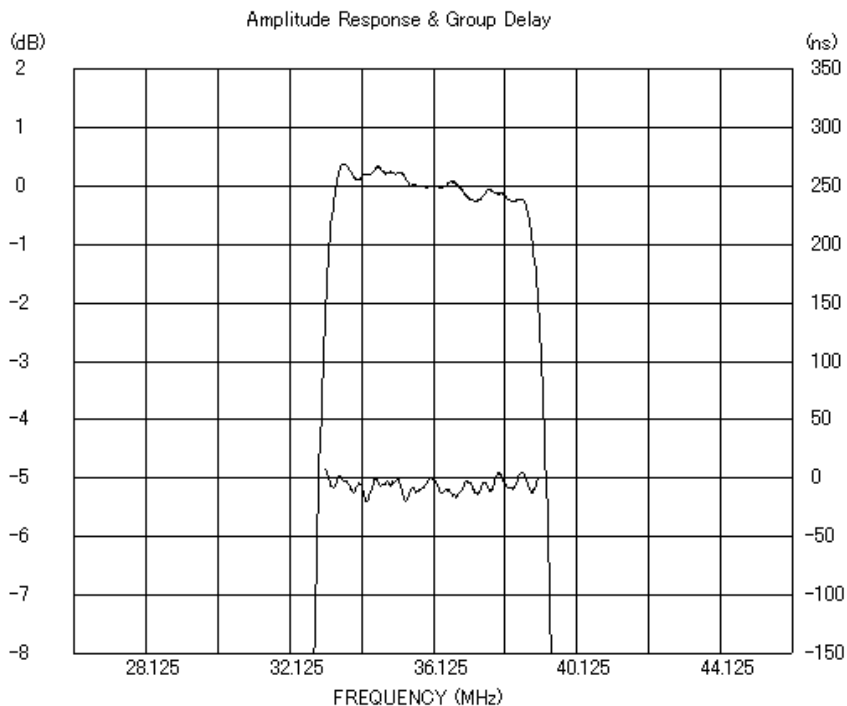


Fig.3 Equivalent circuit

Customer Name	Standard specification	FUJITSU MEDIA DEVICES LIMITED	
Application	IF Filter for Terrestrial-TV		
System	South America		
Center Frequency	36.125 MHz	DATE	Jun. 27 2003
FMD Part Number	FAR-F4SE-36M125-A001	Version 1.1	



Frequency Characteristics



In-band Characteristics