

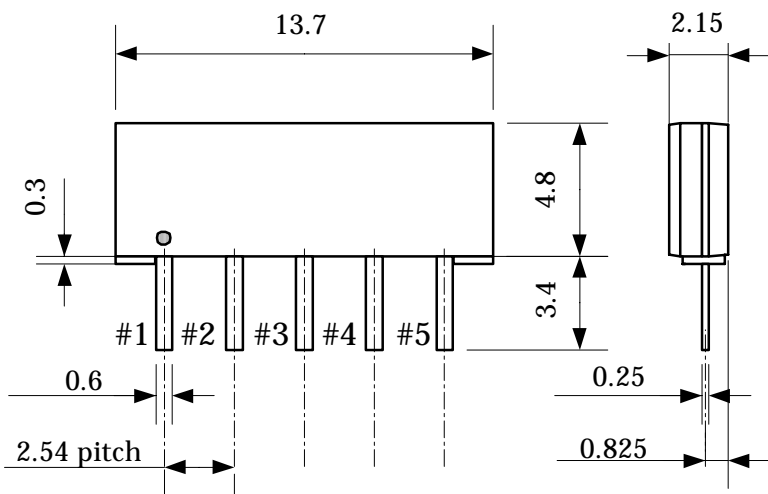
Customer Name	Standard specification	FUJITSU MEDIA DEVICES LIMITED	
Application	IF Filter for Terrestrial-TV/STB		
System	Europe / Asia		
Picture Carrier Frequency	36.125MHz	DATE	Apr. 27 2005
FMD Part Number	FAR-F4SE-36M125-H0E8	Version	1.0 Preliminary

Table 1 Proposal Specification (Ta=25°C)

Items	Conditions	Specification			Unit	Remarks
		Min.	Typ.	Max.		
Insertion Loss	36.13 MHz	17.5	19.0	20.5	dB	
Pass bandwidth	3dB	–	6.9	–	MHz	
	30dB	–	8.6	–	MHz	
Relative level	25.00 ~ 31.30 MHz	–	–40	–32	dB	
	32.63 MHz	–4.2	–3.2	–2.2	dB	
	33.08 MHz	–	–0.3	–	dB	
	36.13 MHz	–	0	–	dB	Reference
	39.17 MHz	–	–0.4	–	dB	
	39.63 MHz	–4.9	–3.9	–2.9	dB	
	40.65 ~ 45.00 MHz	–	–37	–32		
Amplitude ripple (p-p)	33.33 ~ 38.93 MHz	–	0.5	–	dB	
Group delay ripple (p-p)	32.63 ~ 39.63 MHz	–	33	–	ns	
Input Impedance	36.13 MHz	–	3.7//10.0	–	kΩ//pF	
Output Impedance	36.13 MHz	–	3.9//3.3	–	kΩ//pF	
Temperature coefficient		–	-72	–	ppm/°C	

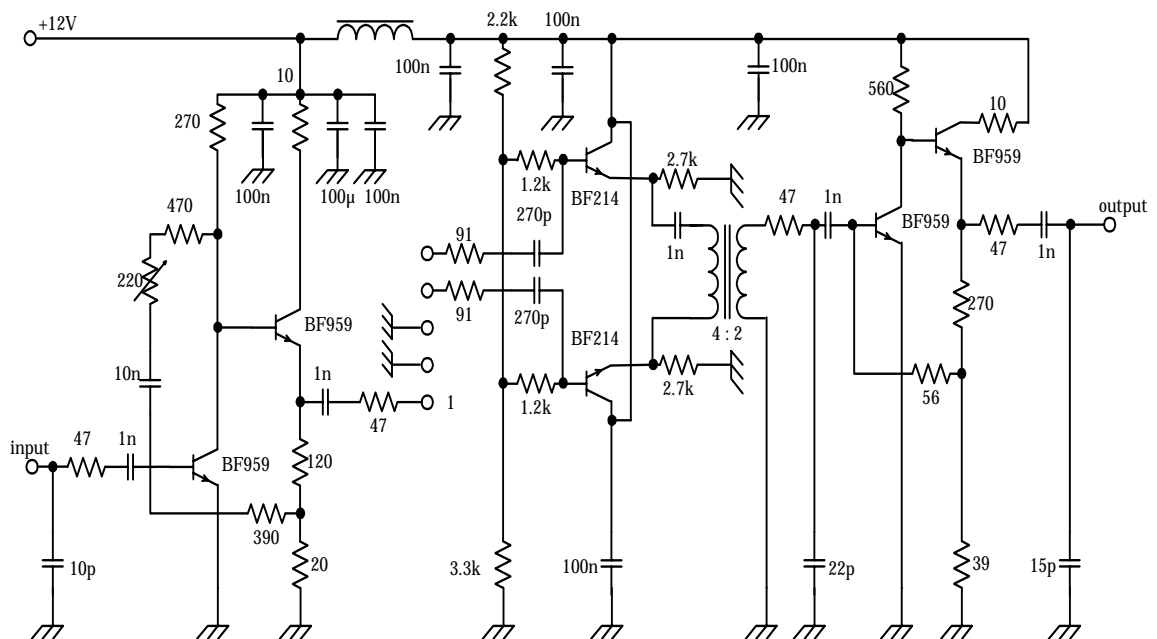
Customer Name	Standard specification	FUJITSU MEDIA DEVICES LIMITED	
Application	IF Filter for Terrestrial-TV/STB		
System	Europe / Asia		
Picture Carrier Frequency	36.125MHz	DATE	Apr. 27 2005
FMD Part Number	FAR-F4SE-36M125-H0E8	Version	1.0 Preliminary

1. Pin assignment of plastics Package



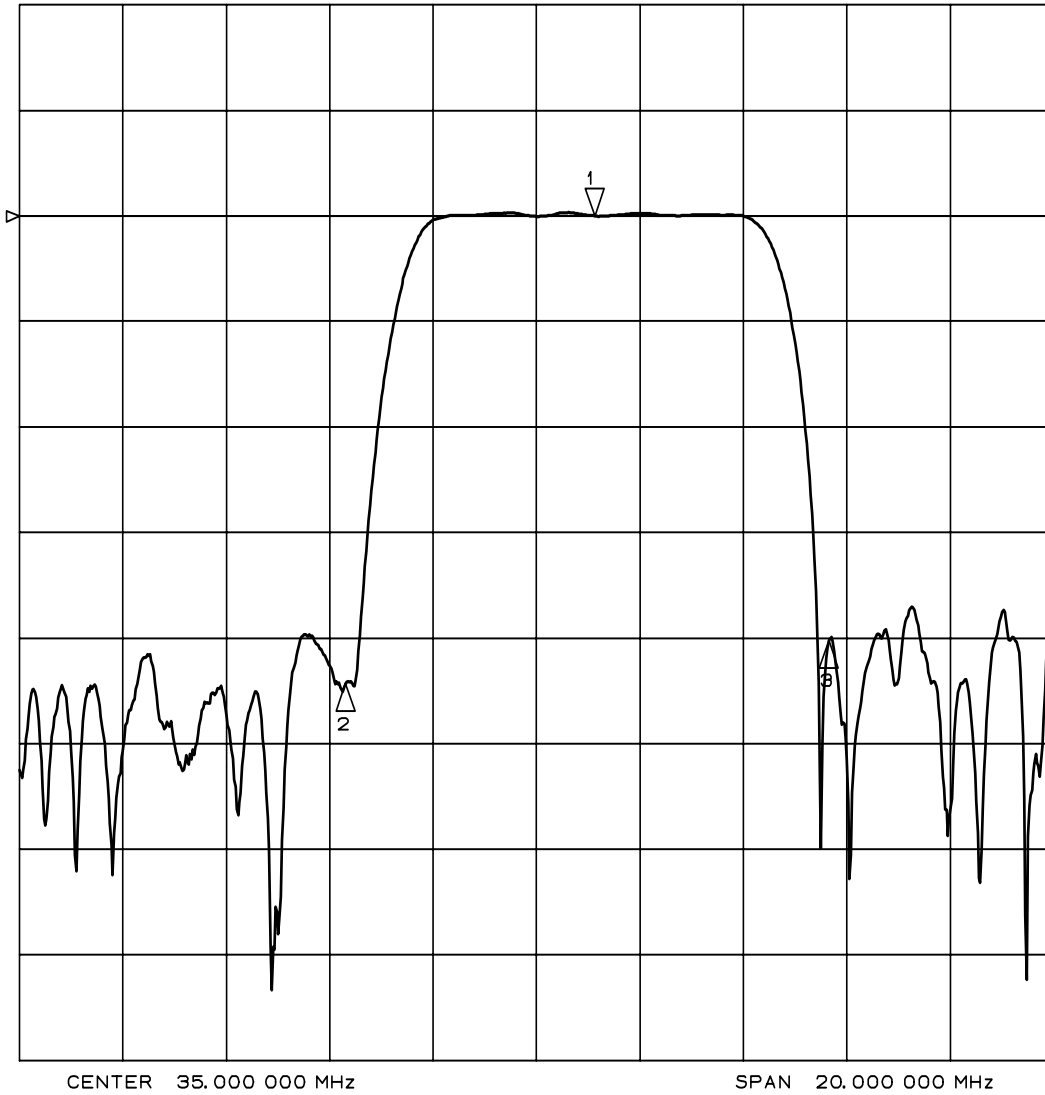
Pin No.	Pin name	Description
1	IN	input pin
2	IN	input pin (Ground)
3	GND	Ground pin
4	OUT	output pin
5	OUT	output pin

2. Measurement circuit



Customer Name	Standard specification	FUJITSU MEDIA DEVICES LIMITED	
Application	IF Filter for Terrestrial-TV/STB		
System	Europe / Asia		
Picture Carrier Frequency	36.125MHz	DATE	Apr. 27 2005
FMD Part Number	FAR-F4SE-36M125-H0E8	Version	1.0 Preliminary

Amplitude Response (10dB/div)



Marker 1 = 36.13 MHz

Marker 2 = 31.30 MHz

Marker 3 = 40.65 MHz

Customer Name	Standard specification	FUJITSU MEDIA DEVICES LIMITED	
Application	IF Filter for Terrestrial-TV/STB		
System	Europe / Asia		
Picture Carrier Frequency	36.125MHz	DATE	Apr. 27 2005
FMD Part Number	FAR-F4SE-36M125-H0E8	Version	1.0 Preliminary

Amplitude Response (1dB/div)

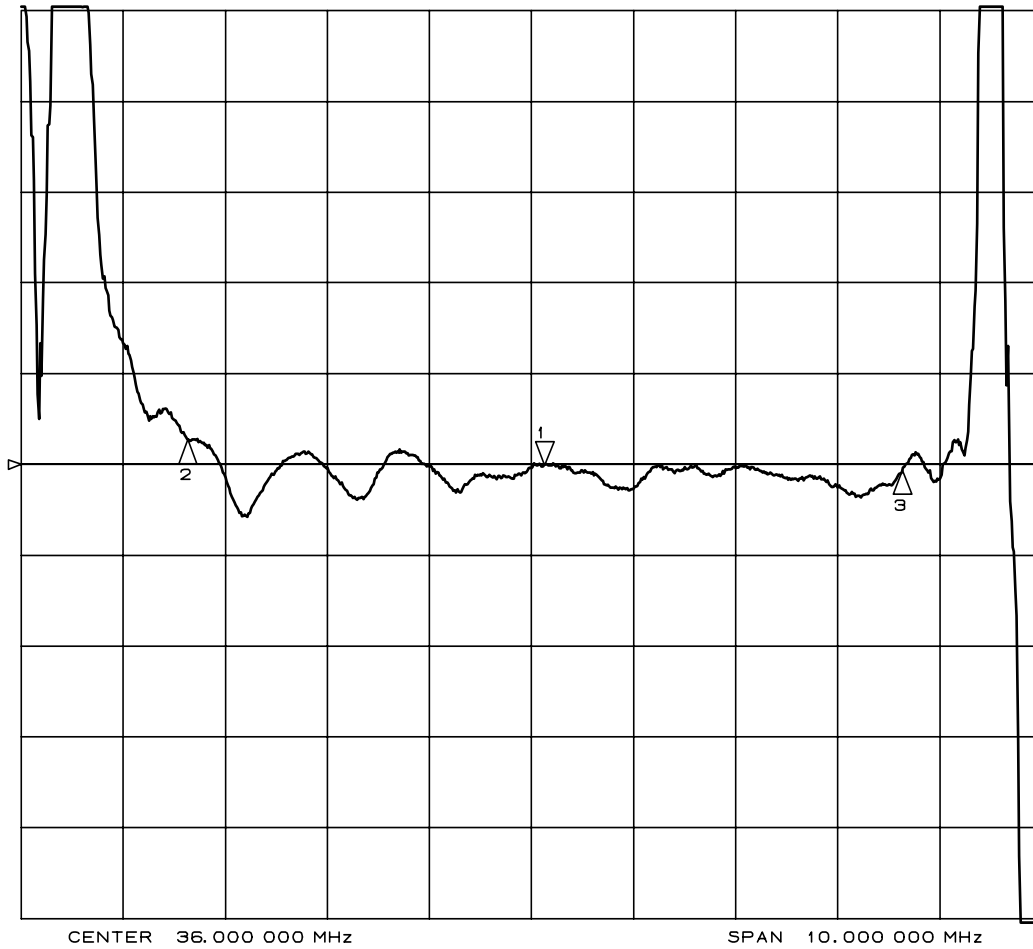


- Marker 1 = 36.13 MHz
- Marker 2 = 32.63 MHz
- Marker 3 = 33.08 MHz
- Marker 4 = 39.17 MHz
- Marker 5 = 39.63 MHz

Customer Name	Standard specification	FUJITSU MEDIA DEVICES LIMITED	
Application	IF Filter for Terrestrial-TV/STB		
System	Europe / Asia		
Picture Carrier Frequency	36.125MHz	DATE	Apr. 27 2005
FMD Part Number	FAR-F4SE-36M125-H0E8	Version	1.0 Preliminary

Group Delay (50ns/div)

Delay Aperi.=200kHz



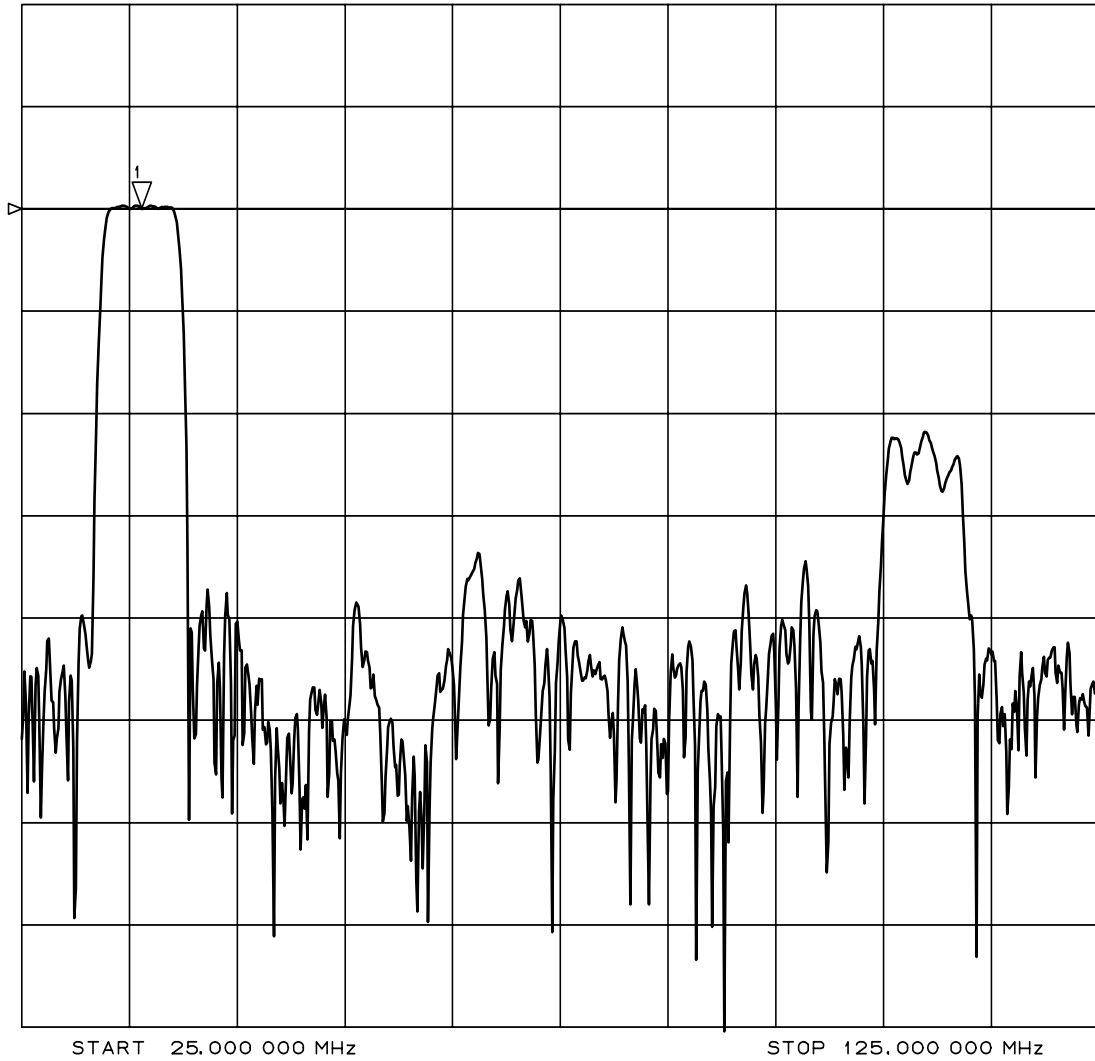
Marker 1 = 36.13 MHz

Marker 2 = 32.63 MHz

Marker 3 = 39.63 MHz

Customer Name	Standard specification	FUJITSU MEDIA DEVICES LIMITED	
Application	IF Filter for Terrestrial-TV/STB		
System	Europe / Asia		
Picture Carrier Frequency	36.125MHz	DATE	Apr. 27 2005
FMD Part Number	FAR-F4SE-36M125-H0E8	Version	1.0 Preliminary

Amplitude Response (10dB/div)
(25.0MHz ----- 125.0MHz)



Marker 1 = 36.13 MHz

Customer Name	Standard specification	FUJITSU MEDIA DEVICES LIMITED	
Application	IF Filter for Terrestrial-TV/STB		
System	Europe / Asia		
Picture Carrier Frequency	36.125MHz	DATE	Apr. 27 2005
FMD Part Number	FAR-F4SE-36M125-H0E8	Version	1.0 Preliminary

Time domain Response (10dB/div)

