

PLEASE CHECK WWW.MOLEX.COM FOR LATEST PART INFORMATION

Part Number: [0194330014](#)
Status: **Active**
Overview: [mx150l sealed connector system](#)
Description: MX150L™ 2 Circuit Plug for 8 AWG Wire

Documents:

[3D Model](#) [Product Specification PS-19432-001 \(PDF\)](#)
[Drawing \(PDF\)](#) [RoHS Certificate of Compliance \(PDF\)](#)

Agency Certification

CSA LR18689
 UL E152602

General

Product Family Crimp Housings
 Series [19433](#)
 Comments Mat Seal Color is Red, Polarized to Mating Part
 Overview [mx150l sealed connector system](#)
 Product Literature Order No 987650-2181
 Product Name MX150L™

Physical

Circuits (maximum) 2
 Circuits Detail 1x1
 Flammability 94V-0
 Gender Male
 Glow-Wire Compliant No
 Keying to Mating Part N/A
 Lock to Mating Part Yes
 Number of Rows 1
 Packaging Type Bag
 Panel Mount No
 Pitch - Mating Interface (in) 0.230 In
 Pitch - Mating Interface (mm) 5.84 mm
 Polarized to Mating Part Yes
 Stackable No
 Temperature Range - Operating -40°C to +125°C

Electrical

Current - Maximum per Contact 40A

Material Info

Reference - Drawing Numbers

Packaging Specification PK-19433-001
 Product Specification PS-19432-001
 Sales Drawing SD-19433-001

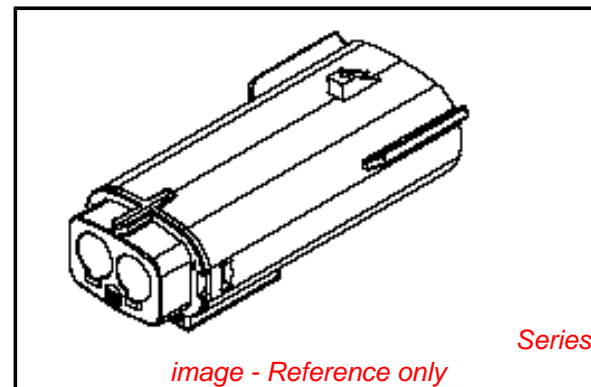


image - Reference only

EU RoHS

**ELV and RoHS
 Compliant**
REACH SVHC
 Not Reviewed
**Halogen-Free
 Status**
 Not Reviewed

China RoHS



**Need more information on product
 environmental compliance?**

Email productcompliance@molex.com
 For a multiple part number RoHS Certificate of
 Compliance, [click here](#)

Please visit the [Contact Us](#) section for any
 non-product compliance questions.

Search Parts in this Series

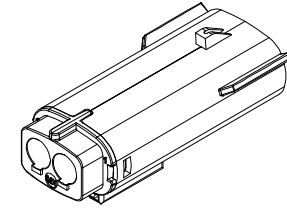
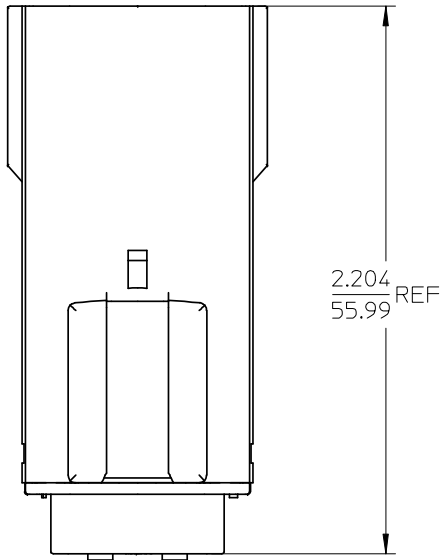
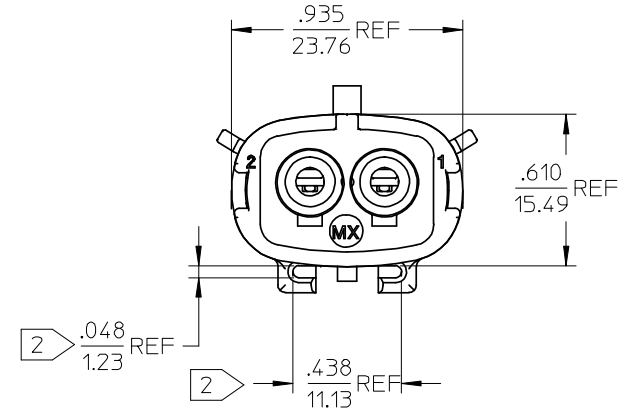
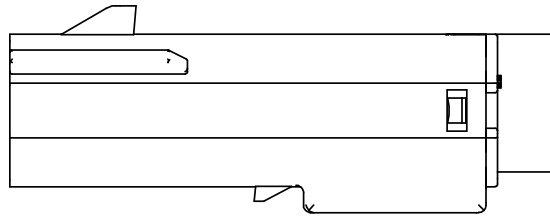
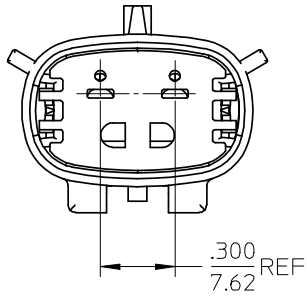
[19433Series](#)

Mates With

[19432-0014](#) Female Receptacle

Use With

[19431](#) Male Terminal



194330013	10-12
194330014	8
MATERIAL NUMBER	UL WIRE AWG

PRODUCT RELEASE EC NO: ETC2005-0048 DRW: JPAWLICK 2004/10/29 CHKD: JPAWLICK 2004/10/29 APPR: RDEROSS 2004/10/29	QUALITY SYMBOLS	GENERAL TOLERANCES (UNLESS SPECIFIED)	DIMENSION STYLE	SCALE	DESIGN UNITS	THIRD ANGLE PROJECTION
	▼=0 ▽=0	mm INCH 4 PLACES ± --- ± --- 3 PLACES ± --- ± .015 2 PLACES ± 0.38 ± --- 1 PLACE ± --- ± --- ANGULAR ± 1°	IN/MM	1:1	INCH	TITLE 2 WAY PLUG ASSEMBLY MX250L
	DESCRIPTION	DRAFT WHERE APPLICABLE MUST REMAIN WITHIN DIMENSIONS	DRAWN BY DATE B. RUPERT 04/09/29 CHECKED BY DATE JPAWLICK 04/09/29 APPROVED BY DATE R. DEROSS 04/09/29	MATERIAL NO.	MOLEX INCORPORATED DOCUMENT NO. SD-19433-001	SHEET NO. 1 OF 1
	REV	SIZE	THIS DRAWING CONTAINS INFORMATION THAT IS PROPRIETARY TO MOLEX INCORPORATED AND SHOULD NOT BE USED WITHOUT WRITTEN PERMISSION			

- NOTES:
- ASSEMBLY PACKAGED PER PK-19433-001
 - USE CONNECTOR WITH MALE CRIMP TERMINAL: SERIES 19431.