

PLEASE CHECK WWW.MOLEX.COM FOR LATEST PART INFORMATION

Part Number: [0473410041](#)
Status: **Active**
Overview: [pogo_pins](#)
Description: 4.00mm (.157") Pitch Pogo Speaker Connector, Height: 2.60mm (.102"), Contact Pin: 1.0µm (40µ") Gold (Au) over 3-5µm Nickel Plating, 2 Circuits

Documents:

[3D Model](#) [Product Specification PS-47341-001 \(PDF\)](#)
[Drawing \(PDF\)](#) [RoHS Certificate of Compliance \(PDF\)](#)

General

Product Family	PCB Headers
Series	47341
Application	Board-to-Board
Comments	Action Height: 2.00mm (.079")
Overview	pogo_pins
Product Name	PoGo Pin

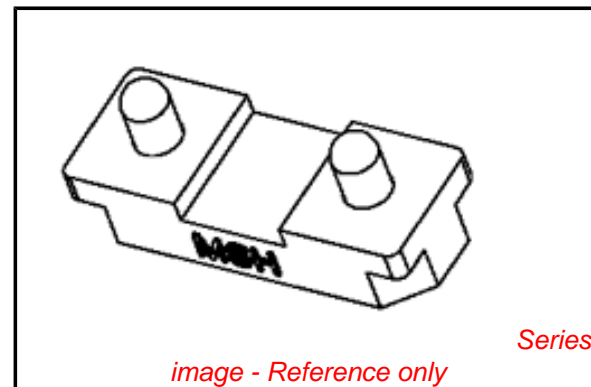
Physical

Breakaway	No
Circuits (Loaded)	2
Circuits (maximum)	2
Durability (mating cycles max)	2,000
First Mate / Last Break	No
Glow-Wire Compliant	No
Guide to Mating Part	No
Keying to Mating Part	None
Lock to Mating Part	None
Material - Plating Mating	Gold
Material - Plating Termination	Gold
Number of Rows	1
Orientation	Vertical
PCB Locator	No
PCB Retention	Yes
Packaging Type	Embossed Tape on Reel
Pitch - Mating Interface (in)	0.157 In
Pitch - Mating Interface (mm)	4.00 mm
Pitch - Term. Interface (in)	0.157 In
Pitch - Term. Interface (mm)	4.00 mm
Plating min: Mating (µin)	40
Plating min: Mating (µm)	1
Plating min: Termination (µin)	80
Plating min: Termination (µm)	2
Polarized to Mating Part	No
Polarized to PCB	No
Shrouded	No
Stackable	No
Surface Mount Compatible (SMC)	No
Temperature Range - Operating	-40°C to +85°C
Termination Interface: Style	Surface Mount

Electrical

Current - Maximum per Contact	0.5A
Voltage - Maximum	12V DC

Material Info



EU RoHS

RoHS Compliant by Exemption

REACH SVHC

Not Reviewed

Halogen-Free

Status

Not Halogen-Free

China RoHS



Pb

Need more information on product environmental compliance?

Email productcompliance@molex.com
 For a multiple part number RoHS Certificate of Compliance, [click here](#)

Please visit the [Contact Us](#) section for any non-product compliance questions.

Search Parts in this Series

[47341Series](#)

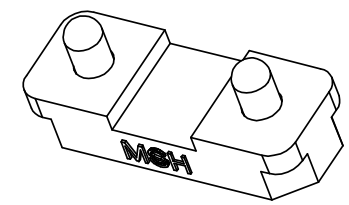
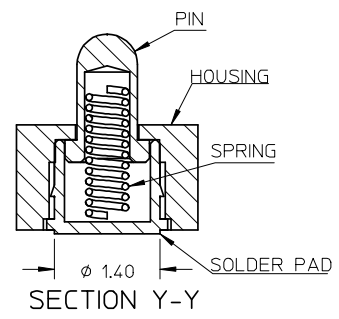
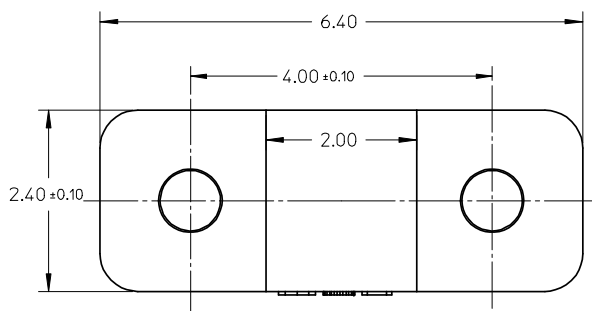
Reference - Drawing Numbers

Product Specification
Sales Drawing

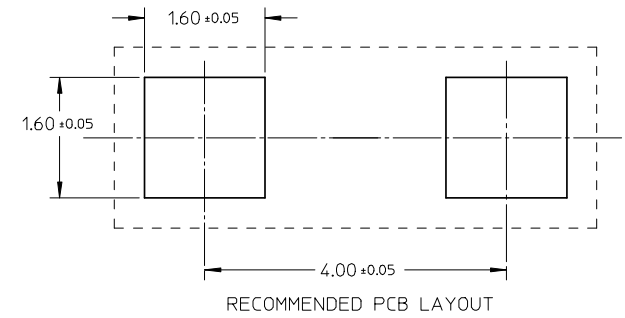
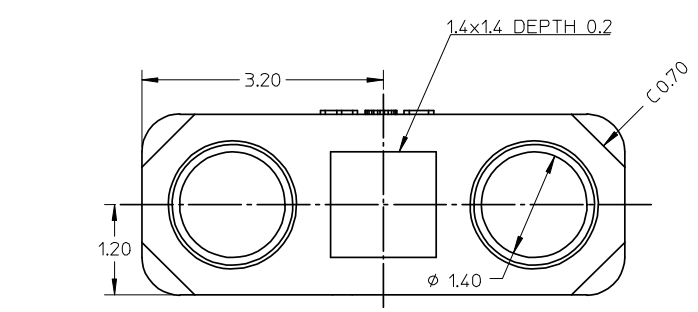
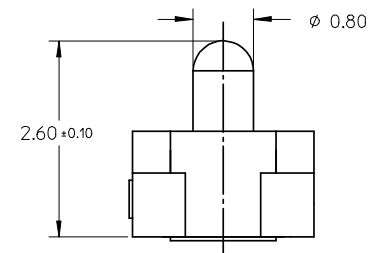
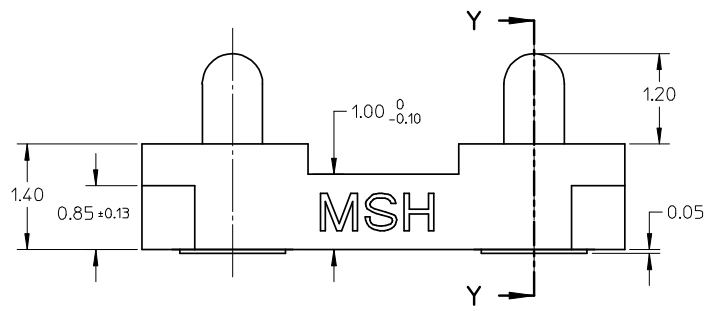
PS-47341-001
SD-47341-001

This document was generated on 05/26/2010

PLEASE CHECK WWW.MOLEX.COM FOR LATEST PART INFORMATION



- NOTES:
- MATERIAL:
 - 1-1 PIN & SOLDER PAD : COPPER ALLOY
 - 1-2 SPRING : SWP-B,PIANO WIRE OR EQUIVALENT
 - 1-3 HOUSING :
 - 473410001 : NYLON 46 UL 94-V0, BLACK
 - 473410041 : NYLON 9T, UL 94-V0, MEDIUM GRAY
 - FINISH:
 - CONTACT PIN : SEE TABLE
 - SOLDER PAD & SPRING : OVERALL 0.1 μm MIN. GOLD OVER 1.27 μm NICKEL
 - MECHANICAL SPECIFICATION:
 - 3-1 SPRING FORCE : 0.8N MIN @ 0.65mm DEFLECTION/PIN
 - 3-2 PRELOAD : 0.15N/PIN MIN
 - 3-3 DURABILITY : 2,000 cycles
 - ELECTRICAL SPECIFICATION :
 - 4-1 RATING VOLTAGE : 12V RMS
 - 4-2 RATING CURRENT : 0.5A MAX.
 - 4-3 CONTACT RESISTANCE : 200 mOhms MAX @ 0.65mm DEFLECTION
 - PRODUCT SPECIFICATION : PS-47341-001
 - PRODUCT COMPLIANT TO RoHS DIRECTIVE 2002/95/EC AND ELV 2000/53/EC.



473410001	CONTACT PIN : OVERALL 0.1 μm MIN. GOLD OVER 1.27 μm NICKEL
473410041	CONTACT PIN : OVERALL 1 μm MIN. GOLD OVER 3~5 μm NICKEL

CHANGE RAW MATERIAL OF HSG EC NO: SH2008-0278 DRWN: JYANG13 2008/01/16 CHKD: YLZHU02 2008/01/21 APPR: HWANG 2008/02/04	QUALITY SYMBOLS ▽=0 ◻=0	GENERAL TOLERANCES (UNLESS SPECIFIED)		DIMENSION STYLE	SCALE	DESIGN UNITS	THIRD ANGLE PROJECTION
		mm	INCH	MM ONLY	15:1	METRIC	
		4 PLACES ± --- ± ---	3 PLACES ± --- ± ---	DRAWN BY	DATE	TITLE	
		2 PLACES ± 0.15 ± ---	1 PLACE ± 0.2 ± ---	CYZHU	2006/02/27	ASSEMBLY 2 PIN POGO SPEAKER CONN.	
	ANGULAR ± 1/2°	2 PLACES ± 0.15 ± ---	1 PLACE ± 0.2 ± ---	APPROVED BY	DATE	MOLEX INCORPORATED	
		DRAFT WHERE APPLICABLE MUST REMAIN WITHIN DIMENSIONS		JNCHEN	2006/03/02	DOCUMENT NO.	SHEET NO.
				MATERIAL NO.	SEE TABLE	SD-47341-001	1 OF 1
		THIS DRAWING CONTAINS INFORMATION THAT IS PROPRIETARY TO MOLEX INCORPORATED AND SHOULD NOT BE USED WITHOUT WRITTEN PERMISSION					