

PLEASE CHECK WWW.MOLEX.COM FOR LATEST PART INFORMATION

Part Number: **0491021220**
Status: **Active**
Description: 2.50mm (.098") Pitch Male Housing, for 1.02mm (.040") Diameter Terminal, Used in Car Mirror Applications, With Clip

Documents:

[Drawing \(PDF\)](#) [RoHS Certificate of Compliance \(PDF\)](#)
[Product Specification PS-104000-001 \(PDF\)](#)

General

Product Family Crimp Housings
 Series 49102
 Product Name N/A

Physical

Circuits (maximum) 12
 Color - Resin Natural, Yellow
 Gender Male
 Glow-Wire Compliant No
 Lock to Mating Part Yes
 Material - Resin Polyester
 Number of Rows 2
 Packaging Type Bag
 Panel Mount Yes
 Pitch - Mating Interface (in) 0.098 In
 Pitch - Mating Interface (mm) 2.50 mm
 Polarized to Mating Part Yes
 Stackable No
 Temperature Range - Operating -40°C to +120°C

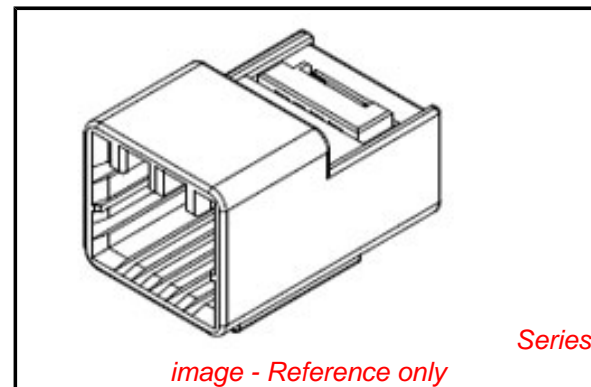
Electrical

Current - Maximum per Contact 5A

Material Info

Reference - Drawing Numbers

Product Specification PS-104000-001
 Sales Drawing SD-49102-002



EU RoHS

**ELV and RoHS
Compliant**
REACH SVHC
 Not Reviewed
**Halogen-Free
Status**

China RoHS



**Need more information on product
environmental compliance?**

Email productcompliance@molex.com
 For a multiple part number RoHS Certificate of Compliance, [click here](#)

Please visit the [Contact Us](#) section for any non-product compliance questions.

Search Parts in this Series

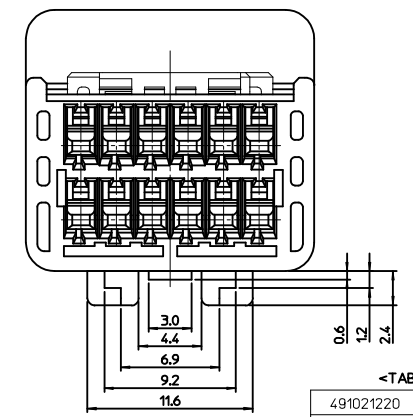
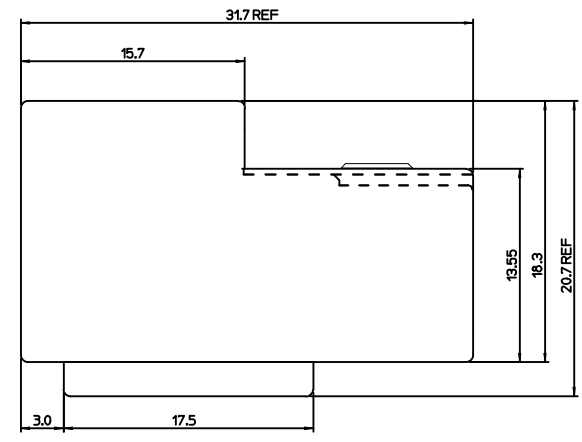
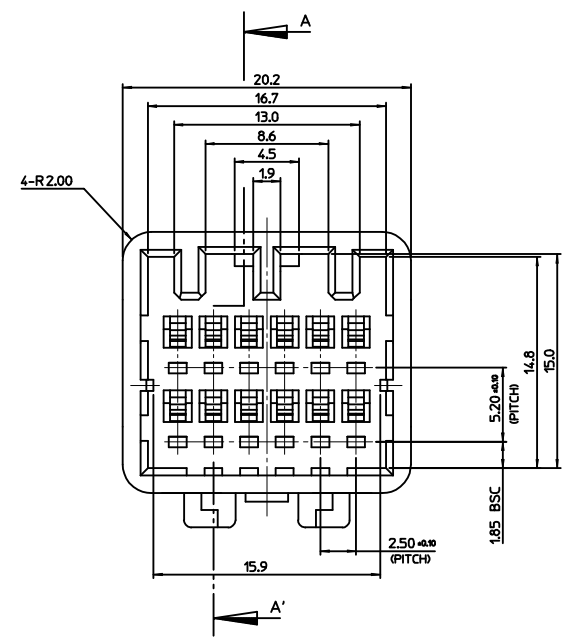
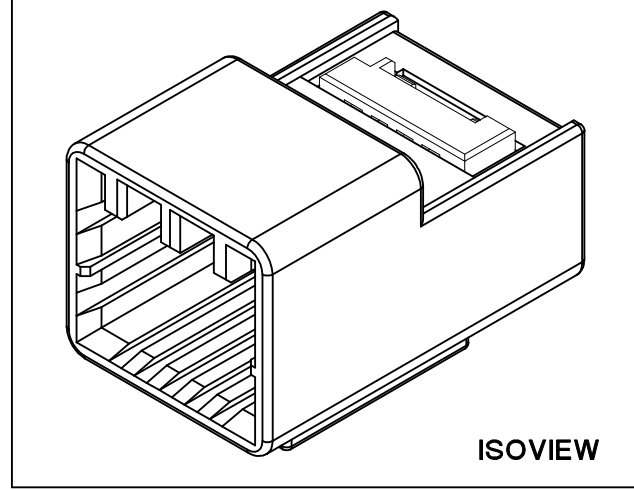
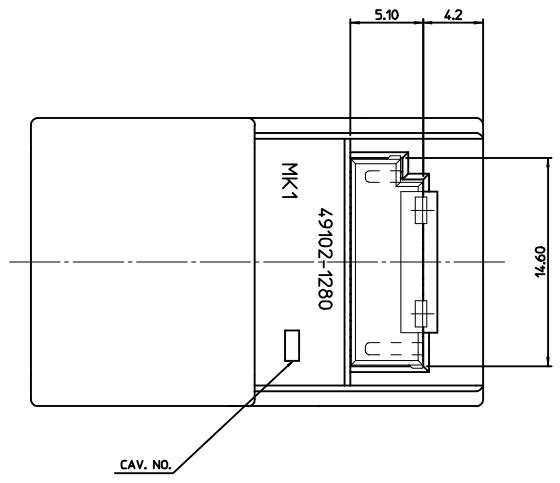
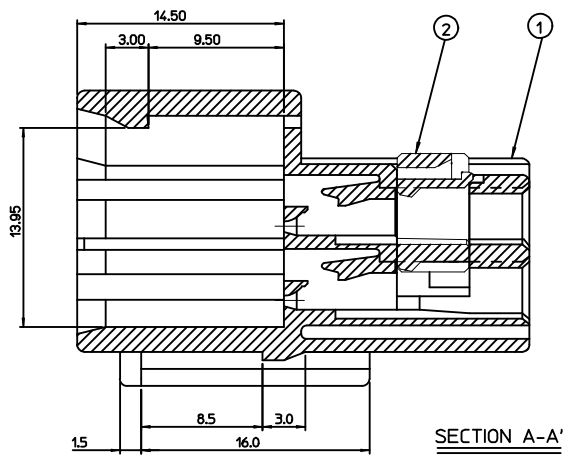
[49102Series](#)

Mates With

[64002-1215](#)

Use With

[50660-9001](#)



<NOTE>

1. APPLICABLE MALE TERMINAL : 50660-9001
2. MATING FEMALE HOUSING ASS'Y : 64002-1215
3. MATING FEMALE TERMINAL : 50654-1001

<PART LIST>

NO.	PART NAME	MATERIAL	USAGE	REMARK
①	MALE HSG 12PICLIP TYPE)	POLYESTER	1	NATURAL
②	MALE TPA 12P	POLYESTER	1	YELLOW

NEW RELEASED IEC NO: KOR2009-0153 DRW: EOKIM 2009/06/04 CHK: BGYOON 2009/07/06 APPR: YUN IKKIM 2009/07/07 REV A	QUALITY SYMBOLS ▽=0 ▽=0	GENERAL TOLERANCES (UNLESS SPECIFIED) <table border="1"> <tr> <th></th> <th>mm</th> <th>INCH</th> </tr> <tr> <td>4 PLACES</td> <td>± 0.15</td> <td>± 0.006</td> </tr> <tr> <td>3 PLACES</td> <td>± 0.20</td> <td>± 0.008</td> </tr> <tr> <td>2 PLACES</td> <td>± 0.25</td> <td>± 0.010</td> </tr> <tr> <td>1 PLACE</td> <td>± 0.30</td> <td>± 0.012</td> </tr> <tr> <td colspan="3">ANGULAR ± 1°</td> </tr> </table>		mm	INCH	4 PLACES	± 0.15	± 0.006	3 PLACES	± 0.20	± 0.008	2 PLACES	± 0.25	± 0.010	1 PLACE	± 0.30	± 0.012	ANGULAR ± 1°			DIMENSION STYLE MM ONLY	SCALE 4:1	DESIGN UNITS METRIC	THIRD ANGLE PROJECTION
				mm	INCH																			
			4 PLACES	± 0.15	± 0.006																			
			3 PLACES	± 0.20	± 0.008																			
2 PLACES	± 0.25	± 0.010																						
1 PLACE	± 0.30	± 0.012																						
ANGULAR ± 1°																								
DRAWN BY EOKIM	DATE 2008/11/13	TITLE 040 MIRROR MALE CONNECTOR 12P-CLIP TYPE																						
CHECKED BY BGYOON	DATE 2008/11/13	MATERIAL NO. SEE TABLE 1																						
APPROVED BY EHJUNG	DATE 2008/11/13	DOCUMENT NO. SD-49102-002																						

<TABLE 1>

491021220	49102-1220
MATERIAL NO.	ORDER NO.