

PLEASE CHECK WWW.MOLEX.COM FOR LATEST PART INFORMATION

Part Number: **0500138000**
Status: **Active**
Description: 2.00mm (.079") Pitch Crimp Terminal, Reel, for 51005 Housing

Documents:

[3D Model](#) [Product Specification PS-51005-001 \(PDF\)](#)
[Drawing \(PDF\)](#) [RoHS Certificate of Compliance \(PDF\)](#)

General

Product Family Crimp Terminals
 Series 50013
 Crimp Quality Equipment Yes
 Product Name N/A

Physical

Gender Female
 Material - Metal Phosphor Bronze
 Material - Plating Mating Tin
 Material - Plating Termination Tin
 Packaging Type Reel
 Plating min: Mating (µin) 36
 Plating min: Mating (µm) 0.90
 Plating min: Termination (µin) 36
 Plating min: Termination (µm) 0.90
 Termination Interface: Style Crimp or Compression
 Wire Insulation Diameter 0.90-1.15mm (.035-.045")
 Wire Size AWG 24, 26, 28
 Wire Size mm² N/A

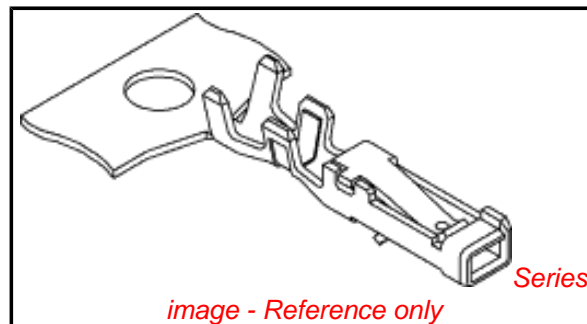
Electrical

Current - Maximum per Contact 2A
 Voltage - Maximum 125V

Material Info

Reference - Drawing Numbers

Product Specification PS-51005-001, RPS-51005-001, RPS-51005-002
 Sales Drawing SD-50013-001



EU RoHS

ELV and RoHS

Compliant

REACH SVHC

Contains SVHC: No

Halogen-Free

Status

Halogen-Free

China RoHS



Need more information on product environmental compliance?

Email productcompliance@molex.com
 For a multiple part number RoHS Certificate of Compliance, [click here](#)

Please visit the [Contact Us](#) section for any non-product compliance questions.

Search Parts in this Series

[50013Series](#)

Mates With

[50012](#)

Use With

Crimp Terminal [51005](#)

Application Tooling | FAQ

Tooling specifications and manuals are found by selecting the products below. Crimp Height Specifications are then contained in the Application Tooling Specification document.

Global

Description **Product #**

Hand Crimp Tool, UL [0638117800](#)

Approved

T2 Terminator Die [0638515000](#)

FineAdjust™ [0638615000](#)

Applicator

Japan

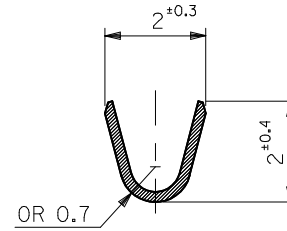
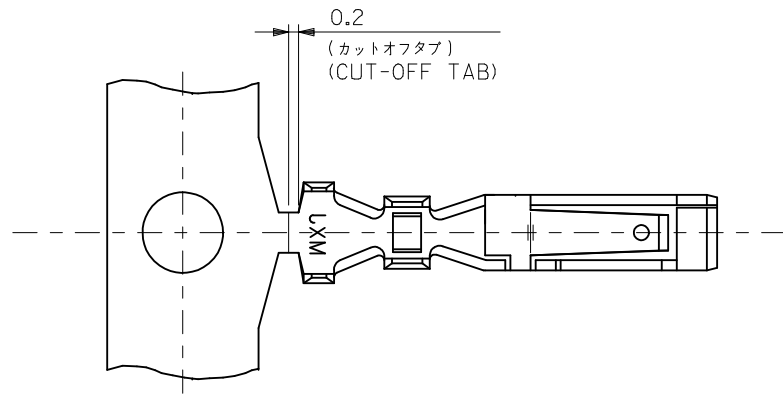
Description **Product #**

Applicator for M211A [0570453000](#)

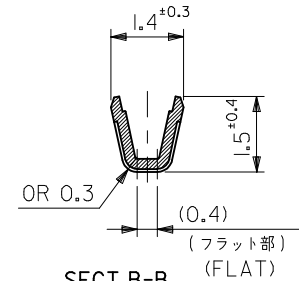
Bench Press, 24-28

This document was generated on 04/15/2010

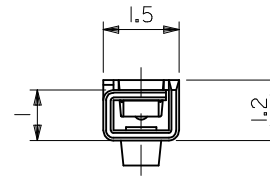
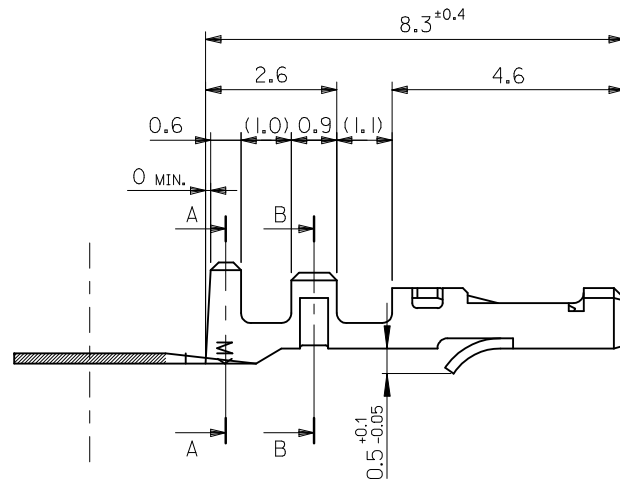
PLEASE CHECK WWW.MOLEX.COM FOR LATEST PART INFORMATION



SECT.A-A



SECT.B-B



注記
NOTES

- 適合ハウジング : 51005
APPLICABLE HOUSING : 51005
- 嵌合相手 : 50012
MATE WITH : 50012
- ELV 及び RoHS適合品
ELV AND RoHS COMPLIANT.

50013-8100	バラ状 LOOSE
50013-8000	連鎖状 CHAIN
MATERIAL NO.	端子形状 FORM

50013-8×00
MODEL NO.

材料 MATERIAL	リン青銅 錫メッキ (t=0.2) PHOS. BRO. PRE-TINNED (t=0.2)
仕上げ FINISH	—#—
適用電線範囲 WIRE RANGE	AWG#24 ~ #28
被覆外径 INS. RANGE	φ0.9 ~ φ1.15

REVISED	EC NO: J2010-0035	DRWN: TNKAGAWA01 2009/07/06	CHKD: HMATSUMOTO 2009/07/06	APPR: NUKITA 2009/07/06
DESCRIPTION	GENERAL TOLERANCES (UNLESS SPECIFIED)			
REV	10 UNDER	±0.2		
	10 OVER 30 UNDER	±0.25		
	30 OVER	±0.3		
	ANGULAR	±3 °		
	DRAFT WHERE APPLICABLE MUST REMAIN WITHIN DIMENSIONS			

DIMENSION STYLE		SCALE	DESIGN UNITS	THIRD ANGLE PROJECTION
MM ONLY		10:1	METRIC	☉
DRAWN BY	DATE	TITLE		
T. YASUI	'95/08/21	2.0 WIRE TO WIRE CONN. CRIMP REC.		
CHECKED BY	DATE			
H. HIRAMOTO	'95/08/22			
APPROVED BY	DATE			
M. FUKUSHIMA	'95/08/22			
MATERIAL NO.	DOCUMENT NO.			
SEE TABLE	SD-50013-001			
SIZE	THIS DRAWING CONTAINS INFORMATION THAT IS PROPRIETARY TO MOLEX INCORPORATED AND SHOULD NOT BE USED WITHOUT WRITTEN PERMISSION			
A3				

MATERIAL NO.		SHEET NO.	
SD-50013-001		1 OF 1	