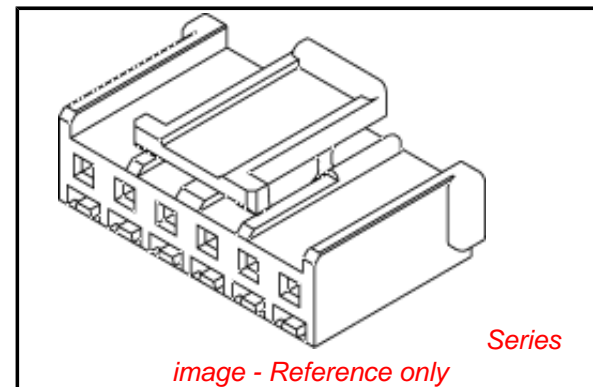


PLEASE CHECK WWW.MOLEX.COM FOR LATEST PART INFORMATION

Part Number: **0511030200**
Status: **Active**
Description: 2.50mm (.098") Pitch Wire-to-Wire and Wire-to-Board Housing, Positive Lock, 2 Circuits

Documents:

| | |
|--|--|
| 3D Model | Product Specification PS-51103-024 (PDF) |
| Drawing (PDF) | Product Specification PS-51103-025 (PDF) |
| Product Specification PS-51103-001 (PDF) | Product Specification PS-51103-026 (PDF) |
| Product Specification PS-51103-002 (PDF) | Product Specification PS-51103-027 (PDF) |
| Product Specification PS-51103-005 (PDF) | Product Specification PS-51198-003 (PDF) |
| Product Specification PS-51103-006 (PDF) | RoHS Certificate of Compliance (PDF) |
| Product Specification PS-51103-007 (PDF) | |



Agency Certification

| | |
|-----|-----------|
| CSA | LR19980 |
| TUV | R72081037 |
| UL | E29179 |

General

| | |
|----------------|-----------------------|
| Product Family | Crimp Housings |
| Series | 51103 |
| MolexKits | Yes |
| Product Name | N/A |

Physical

| | |
|-------------------------------|-----------------|
| Circuits (maximum) | 2 |
| Color - Resin | Natural |
| Flammability | 94V-0 |
| Gender | Female |
| Glow-Wire Compliant | No |
| Material - Resin | Polyester |
| Number of Rows | 1 |
| Packaging Type | Bag |
| Panel Mount | No |
| Pitch - Mating Interface (in) | 0.098 In |
| Pitch - Mating Interface (mm) | 2.50 mm |
| Stackable | No |
| Temperature Range - Operating | -40°C to +105°C |

Material Info

Reference - Drawing Numbers

| | |
|-------------------------|---|
| Packaging Specification | SPK-51103-001 |
| Product Specification | PS-51103-001, PS-51103-002, PS-51103-005, PS-51103-006, PS-51103-007, PS-51103-024, PS-51103-025, PS-51103-026, PS-51103-027, PS-51198-003, RPS-51103-001, RPS-51103-002, RPS-51103-003, RPS-51103-009, RPS-51103-010, RPS-51103-011, RPS-51103-012, RPS-51103-017, RPS-51103-018, RPS-51103-021, RPS-51103-022, RPS-51103-027, RPS-51103-028, RPS-51103-030, RPS-51103-031, RPS-51103-032, RPS-51103-033, RPS-51103-034, RPS-51103-039, RPS-51103-041, RPS-51103-043, RPS-51103-044, RPS-51103-046, RPS-51103-047, RPS-51103-049, RPS-51103-050, |

EU RoHS

ELV and RoHS Compliant
REACH SVHC Contains SVHC: No
Halogen-Free Status

China RoHS



Not Halogen-Free

Need more information on product environmental compliance?

Email productcompliance@molex.com
 For a multiple part number RoHS Certificate of Compliance, [click here](#)

Please visit the [Contact Us](#) section for any non-product compliance questions.

Search Parts in this Series

[51103Series](#)

Mates With

[51198](#) , [53375](#) , [53426](#) , [53517](#) , [53608](#)

Use With

[50351](#) , [50752](#)

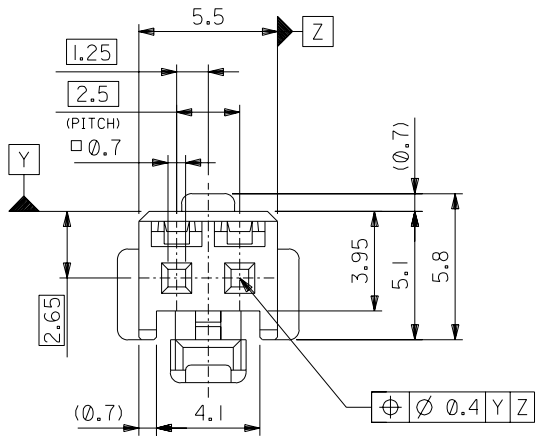
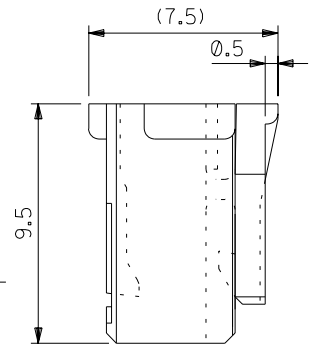
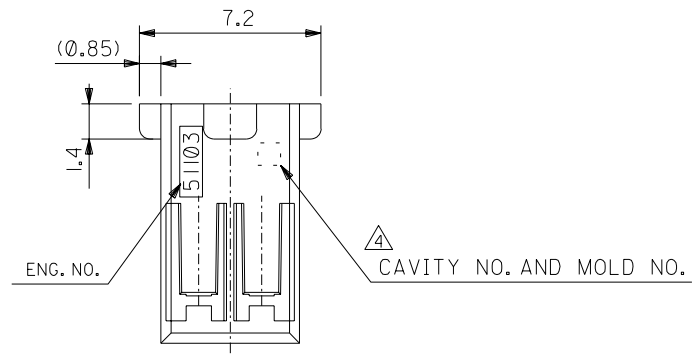
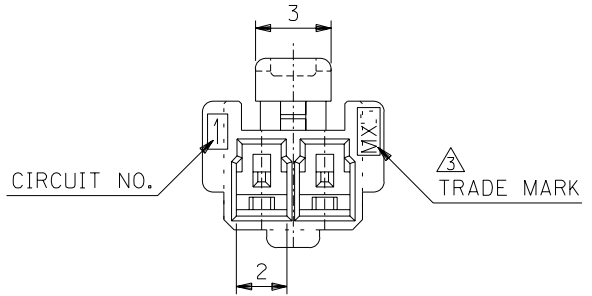
Sales Drawing

RPS-51103-051, RPS-51103-056, RPS-51103-057,
RPS-53375-001
SD-51103-020, SD-51103-021

This document was generated on 06/07/2010

PLEASE CHECK WWW.MOLEX.COM FOR LATEST PART INFORMATION

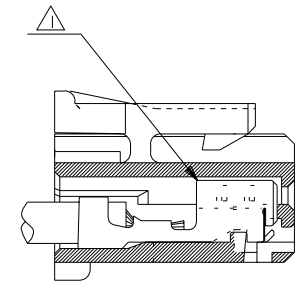
DWG. NO. SD-51103-020



注記 NOTES

- △ 適合ターミナル：50351-8*00
APPLICABLE TERMINAL：50351-8*00
- 2. 嵌合相手：53464 シリーズ
MATE WITH：53464 SERIES.
- △ MX Jと表示。
INDICATE MXJ.
- △ キャビティー番号：1桁～2桁の数字
金型番号：アルファベット1文字にて構成。(例. 1A, 10B)
FORMED BY 1 DIGIT TO 2 DIGIT NUMBERS (TO CAVITY NO.)
AND BY 1 LETTER OF ALPHABET (TO MOLD NO.).
(e.g. 1A, 10B)
- 5. 製品番号の末尾は製品の色を示す
LAST NUMBER OF DWG.NO. MEANS PART COLLER.

51103-**25
色番号 COLLER CODE
5 蛍光灰色 GRAY

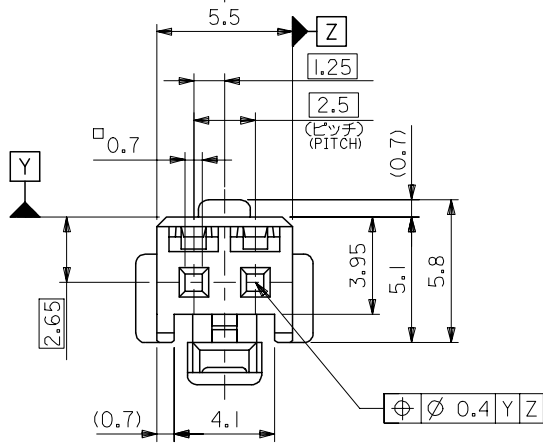
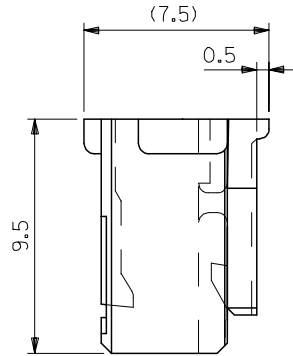
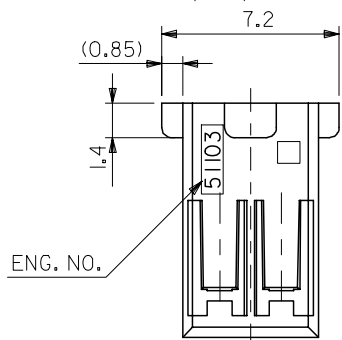
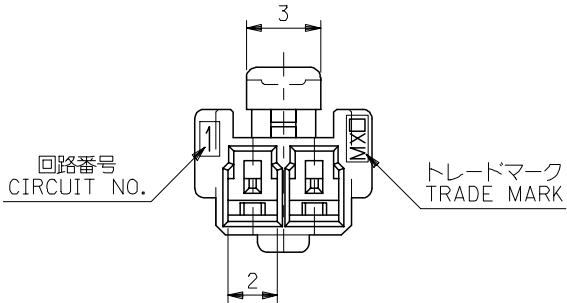


ターミナル装着状態図
TERMINAL ASSEMBLY DRAWING

| | |
|--------------|----------------|
| 51103-0225 | 2 |
| MATERIAL NO. | NO. OF CIRCUIT |

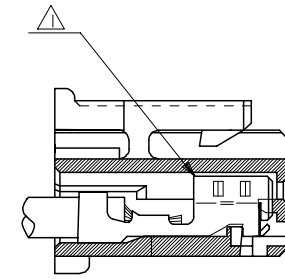
| | | | |
|-----------------------------|-------------------------------|----------------------------------|------------------------------------|
| DIMENSIONS: | | SHT | REV |
| <input type="checkbox"/> mm | <input type="checkbox"/> INCH | <input type="checkbox"/> mm ONLY | <input type="checkbox"/> INCH ONLY |

| | | | | | | | | | | |
|----------------------|-------------------------------|-------------------------------|-------------------------------|--|--|--|--|--|--|--|
| DO NOT SCALE DRAWING | ① 64 NO. DRWN: CH'K: APPR: | ② 63 NO. DRWN: CH'K: APPR: | ③ 62 NO. DRWN: CH'K: APPR: | ④ 61 NO. DRWN: CH'K: APPR: | RELEASED '02/11/22 DRWN: N.IITO CH'K: K.ASAKAWA APPR: T.YAMAGUCHI | MATERIAL 材料 POLYBUTYLENE TEREPHTHALATE UL94V-0 | GENERAL TOLERANCES: (UNLESS SPECIFIED) 一般公差 10 UNDER 未満 ±0.2 10 OVER 以上 30 UNDER 未満 ±0.25 30 OVER 以上 ±0.3 ANGLE 角度 ±3° | SCALE 5 : 1 DESIGN UNITS <input checked="" type="checkbox"/> mm <input type="checkbox"/> INCH DRAWN BY & DATE N.IITO '02/11/22 CHECKED BY & DATE K.ASAKAWA '02/11/22 APPROVED BY & DATE T.YAMAGUCHI '02/11/22 CAD FILENAME SD-51103-020.S01 | TITLE: 2.5 WIRE TO BOARD CONN. HOUSING (POSITIVE LOCK) MOLEX MOLEX INCORPORATED | MATERIAL NO. SEE CHART DRAWING NO. SD-51103-020 SHEET NO. 1 OF 1 |
| | FINISH 仕上げ # | WIRE RANGE 適用線径範囲 # | INS. RANGE 被覆外径 # | DIMENSIONS: <input type="checkbox"/> mm <input type="checkbox"/> INCH <input checked="" type="checkbox"/> mm ONLY <input type="checkbox"/> INCH ONLY | TITLE: 2.5 WIRE TO BOARD CONN. HOUSING (POSITIVE LOCK) | MATERIAL NO. SEE CHART DRAWING NO. SD-51103-020 SHEET NO. 1 OF 1 | | | | |
| | REV 0 | WIRE RANGE 適用線径範囲 # | INS. RANGE 被覆外径 # | DIMENSIONS: <input type="checkbox"/> mm <input type="checkbox"/> INCH <input checked="" type="checkbox"/> mm ONLY <input type="checkbox"/> INCH ONLY | TITLE: 2.5 WIRE TO BOARD CONN. HOUSING (POSITIVE LOCK) | MATERIAL NO. SEE CHART DRAWING NO. SD-51103-020 SHEET NO. 1 OF 1 | | | | |
| | REV 0 | WIRE RANGE 適用線径範囲 # | INS. RANGE 被覆外径 # | DIMENSIONS: <input type="checkbox"/> mm <input type="checkbox"/> INCH <input checked="" type="checkbox"/> mm ONLY <input type="checkbox"/> INCH ONLY | TITLE: 2.5 WIRE TO BOARD CONN. HOUSING (POSITIVE LOCK) | MATERIAL NO. SEE CHART DRAWING NO. SD-51103-020 SHEET NO. 1 OF 1 | | | | |



注記 NOTES

- △ 適合ターミナル：5035I-8*00
APPLICABLE TERMINAL：5035I-8*00
- 2. 嵌合相手：53375,53426 シリーズ
MATE WITH：53375,53426 SERIES
- △ 偶数極の製品に適用。
APPLY EVEN CIRCUIT PRODUCTS.
- 4. 製品型番の下1桁は色を表す。
LAST DIGIT OF PART NUMBER INDICATES COLOR.
0：白 WHITE 1：黒 BLACK 2：赤 RED
3：黄 YELLOW 4：青 BLUE



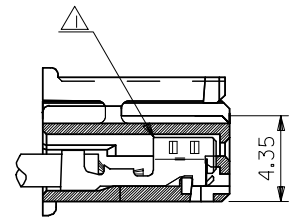
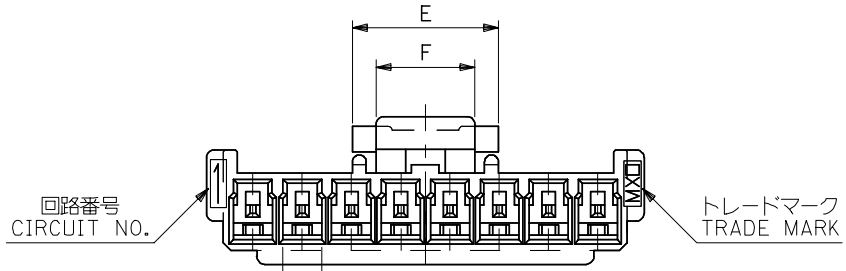
ターミナル装着状態図
TERMINAL ASSEMBLY DRAWING

2極に適用
FOR 2 CKTS.

| | |
|--------------|---------|
| 51103-020* | 2 |
| MATERIAL NO. | CIRCUIT |

| | | | | | | | | |
|--|--|-------|----------------------------|--|---|------------------------|--|--|
| RELEASED EC NO: J2005-2009 DRAWN: M.UMEDA 2005/02/02 CHKD: K.TOYODA 2005/02/04 APPR: N. UKITA 2005/02/14 | GENERAL TOLERANCES (UNLESS SPECIFIED) | | DIMENSION STYLE MM ONLY | | SCALE --- | DESIGN UNITS METRIC | THIRD ANGLE PROJECTION | |
| | 10 UNDER | ±0.2 | DRAWN BY M.UMEDA | | DATE 2005/01/14 | | TITLE 2.5 W/B CONN. HOUSING (POSITIVE LOCK) | |
| | 10 OVER 30 UNDER | ±0.25 | CHECKED BY K. TOYODA | | DATE 2005/01/14 | | MOLEX INCORPORATED | |
| | 30 OVER | ±0.3 | APPROVED BY N. UKITA | | DATE 2005/01/14 | | DOCUMENT NO. SD-51103-021 | |
| | ANGULAR ±3 ° | | MATERIAL NO. | | SEE CHART | | SHEET NO. 1 OF 2 | |
| 0 | DRAFT WHERE APPLICABLE MUST REMAIN WITHIN DIMENSIONS | | SIZE A3 | | THIS DRAWING CONTAINS INFORMATION THAT IS PROPRIETARY TO MOLEX INCORPORATED AND SHOULD NOT BE USED WITHOUT WRITTEN PERMISSION | | | |

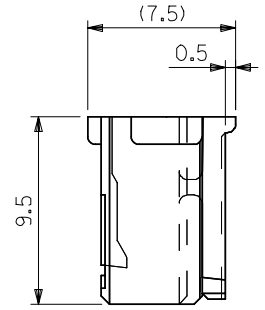
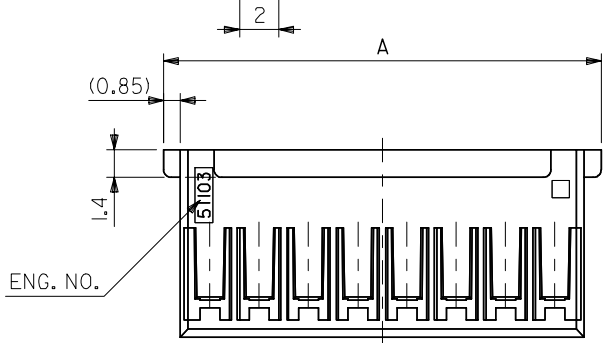
10 9 8 7 6 5 4 3 2 1



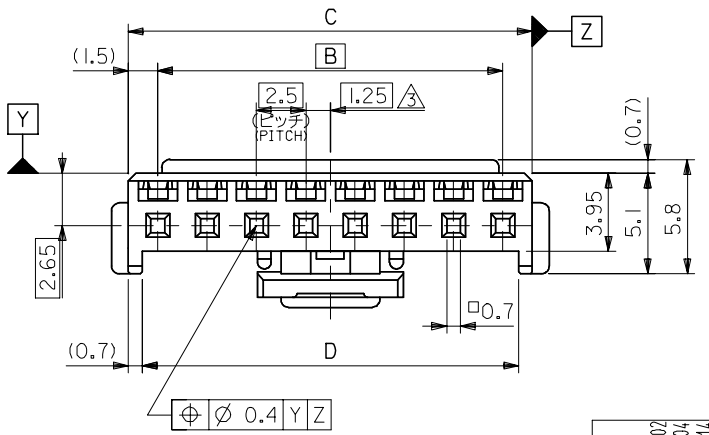
ターミナル装着状態図
TERMINAL ASSEMBLY DRAWING

注記 NOTES

- △ 適合ターミナル：5035I-8*00
APPLICABLE TERMINAL：5035I-8*00
- 2. 嵌合相手：53375,53426 シリーズ
MATE WITH：53375,53426 SERIES
- △ 偶数極の製品に適用。
APPLY EVEN CIRCUIT PRODUCTS.
- 4. 製品型番の下1桁は色を表す。
LAST DIGIT OF PART NUMBER INDICATES COLOR.
0：白 WHITE 1：黒 BLACK 2：赤 RED
3：黄 YELLOW 4：青 BLUE



3-15 極に適用
FOR 3-15 CKTS.



| | | | | | | | |
|---|-----|------|------|------|------|--------------|---------|
| 5 | 7.4 | 36.6 | 38 | 35 | 39.7 | 51103-150* | 15 |
| ↑ | ↑ | 34.1 | 35.5 | 32.5 | 37.2 | ↑ -140* | 14 |
| | | 31.6 | 33 | 30 | 34.7 | ↑ -130* | 13 |
| | | 29.1 | 30.5 | 27.5 | 32.2 | ↑ -120* | 12 |
| | | 26.6 | 28 | 25 | 29.7 | ↑ -110* | 11 |
| | | 24.1 | 25.5 | 22.5 | 27.2 | ↑ -100* | 10 |
| | | 21.6 | 23 | 20 | 24.7 | ↑ -090* | 9 |
| | | 19.1 | 20.5 | 17.5 | 22.2 | ↑ -080* | 8 |
| | | 16.6 | 18 | 15 | 19.7 | ↑ -070* | 7 |
| | | 14.1 | 15.5 | 12.5 | 17.2 | ↑ -060* | 6 |
| | | 11.6 | 13 | 10 | 14.7 | ↑ -050* | 5 |
| 5 | 7.4 | 9.1 | 10.5 | 7.5 | 12.2 | ↓ -040* | 4 |
| 3 | 5 | 6.6 | 8 | 5 | 9.7 | ↓ 51103-030* | 3 |
| F | E | D | C | B | A | MATERIAL NO. | CIRCUIT |

| | | | | | | | |
|--|---------------------------------------|------------|----------------------------|---|--------------------|--|------------------------|
| RELEASED EC NO: J2005-2009 DRAWN: MUMEDA 2005/02/07 CHKD: KTOYODA 2005/02/04 APPR: NUKITA 2005/02/14 | GENERAL TOLERANCES (UNLESS SPECIFIED) | | DIMENSION STYLE MM ONLY | | SCALE --- | DESIGN UNITS METRIC | THIRD ANGLE PROJECTION |
| | 10 UNDER | ±0.2 | DRAWN BY M.UMEDA | | DATE 2005/01/14 | TITLE 2.5 W/B CONN. HOUSING (POSITIVE LOCK) | |
| | 10 OVER 30 UNDER | ±0.25 | CHECKED BY KTOYODA | | DATE 2005/01/14 | MOLEX INCORPORATED | |
| | 30 OVER | ±0.3 | APPROVED BY N. UKITA | | DATE 2005/01/14 | DOCUMENT NO. SD-51103-021 | SHEET NO. 2 OF 2 |
| | ANGULAR | ±3 ° | MATERIAL NO. | | SEE CHART | | |
| DRAFT WHERE APPLICABLE MUST REMAIN WITHIN DIMENSIONS | | SIZE A3 | | THIS DRAWING CONTAINS INFORMATION THAT IS PROPRIETARY TO MOLEX INCORPORATED AND SHOULD NOT BE USED WITHOUT WRITTEN PERMISSION | | | |