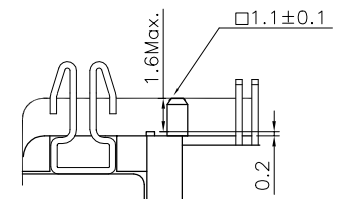
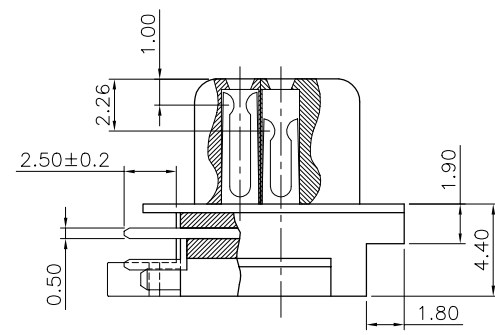
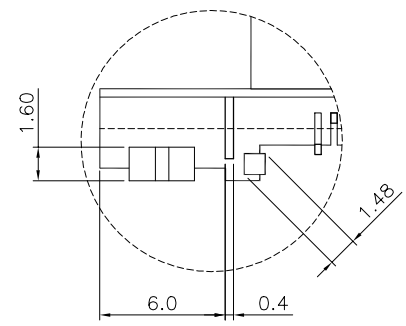
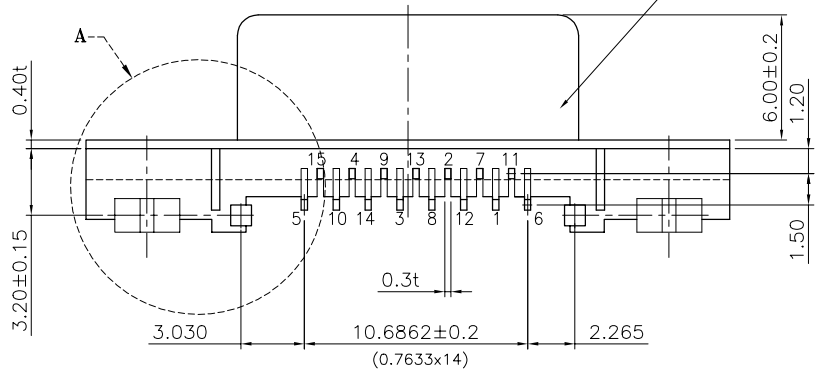


NOTE:
070435FR015 □ 164U

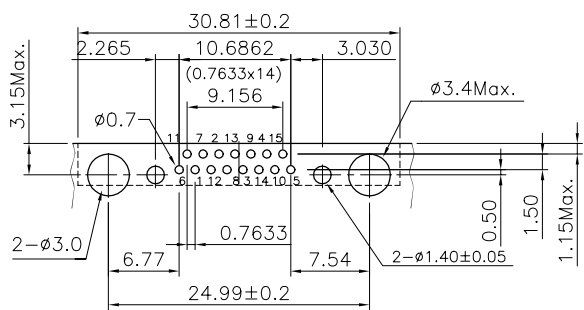
- Selective plating
 'S1,-05u" Min. gold in contact area/
 100u" Min. Tin in solder area.
 'S2,-Gold flash in contact area/
 100u" Min. Tin in solder area.
 'S3,-10u" Min. gold in contact area/
 100u" Min. Tin in solder area.
 'S4,-15u" Min. gold in contact area/
 100u" Min. Tin in solder area.
 'S5,-30u" Min. gold in contact area/
 100u" Min. Tin in solder area.
 'S6,-50u" Min. gold in contact area/
 100u" Min. Tin in solder area.



Detail A Bottom View (4:1)



Recommended P.C.B Layout(Component Side)
(P.C.B Thickness 1.2~1.6mm)



| | | | | |
|-----|-------------|------------|------------|-----------------|
| 5 | RIVET | Brass | — | Nickel plated |
| 4 | FORK | Brass | — | Tin plated |
| 3 | SHELL | SPCC | — | Nickel plated |
| 2 | TERMINAL | Pho.Bronze | — | Gold/Tin plated |
| 1 | HOUSING | High Temp. | Blue(660C) | UL94V-0 |
| NO. | DESCRIPTION | MATERIAL | COLOR | REMARK |

SUYIN
CONNECTOR

| | | | |
|----------------|------------------------------------|-------------------|----|
| CUSTOMER COPY | TITLE:15 PIN D-SUB FEMALE R/A TYPE | | |
| PART NO. | 070435FR015SX164U | | |
| PART NO. (OLD) | — | | |
| DRAWING NO. | D | 070435FR015SX164U | |
| SCALE | 4:1 | UNIT | mm |
| | | | A4 |

| | | | | | | | | | | | |
|---------------|-----|------|-------------|--------|--------|--|---------|-------|--------|--|--|
| ECN (DCN) NO. | REV | DATE | DESCRIPTION | CHANGE | APPRO. | GENERAL TOLERANCE UNLESS OTHERWISE NOTED | ANGLE | ±2° | DRAW | | |
| | 0 | | NEW | | | | 30 ~ | ±0.50 | DESIGN | | |
| | | | | | | | 10 ~ 30 | ±0.30 | CHECK | | |
| | | | | | | | ~ 10 | ±0.15 | APPRO. | | |