

PLEASE CHECK WWW.MOLEX.COM FOR LATEST PART INFORMATION

Part Number: [0746951002](#)
Status: **Active**
Overview: [vhdm_hsd](#)
Description: 2.00mm (.079") Pitch 5-Row VHDM-HSD™ Backplane Header, Open Module, 40 Circuits, Pin Length 6.25mm (.246")

Documents:

[Drawing \(PDF\)](#) [RoHS Certificate of Compliance \(PDF\)](#)

Agency Certification

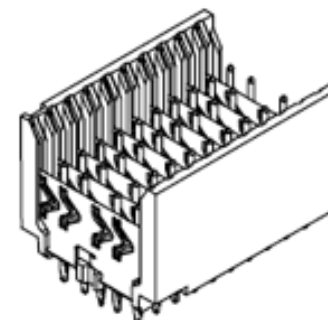
CSA LR19880

General

Product Family Backplane Connectors
 Series [74695](#)
 Application Backplane
 Application Tooling Documents http://www.molex.com/pdm_docs/ats/TM-622010999.pdf>Tooling Manual
 Comments Open Header
 Component Type PCB Header
 Overview [vhdm_hsd](#)
 Product Name VHDM-HSD™
 Style N/A

Physical

Circuits (Loaded) 40
 Circuits (maximum) 40
 Color - Resin Black
 Durability (mating cycles max) 200
 First Mate / Last Break No
 Flammability 94V-0
 Guide to Mating Part No
 Keying to Mating Part None
 Material - Metal High Performance Alloy (HPA)
 Material - Plating Mating Gold
 Material - Plating Termination Tin-Lead
 Material - Resin High Temperature Thermoplastic
 Number of Columns 10
 Number of Pairs Open Pin Field
 Number of Rows 5
 Orientation Vertical
 PCB Retention None
 PCB Thickness Recommended (in) 0.070 In
 PCB Thickness Recommended (mm) 1.80 mm
 Packaging Type Tube
 Pitch - Mating Interface (in) 0.079 In
 Pitch - Mating Interface (mm) 2.00 mm
 Plating min: Mating (µin) 30
 Plating min: Mating (µm) 0.75
 Plating min: Termination (µin) 30
 Plating min: Termination (µm) 0.75
 Polarized to PCB Yes
 Surface Mount Compatible (SMC) Yes
 Temperature Range - Operating -55°C to +105°C
 Termination Interface: Style Through Hole - Compliant Pin



Series

image - Reference only

EU RoHS

RoHS Compliant by Exemption

REACH SVHC

Not Reviewed

Halogen-Free

Status

Halogen-Free

China RoHS



Pb

Need more information on product environmental compliance?

Email productcompliance@molex.com
 For a multiple part number RoHS Certificate of Compliance, [click here](#)

Please visit the [Contact Us](#) section for any non-product compliance questions.

Search Parts in this Series

[74695Series](#)

Mates With

[74670 HSD Daughtercard](#)

Application Tooling | FAQ

Tooling specifications and manuals are found by selecting the products below. Crimp Height Specifications are then contained in the Application Tooling Specification document.

Global

Description	Product #
VHDM® Signal Pin	0622015700
Insertor Repair Tool	
VHDM® 5 Row Pin and Shield Repair Tool	0622015810
VHDM® 5 Row Shield Extraction Tool	0622016010
VHDM-HSD™ Signal Header, 5 Row by	0622020201

10 Wide, 20.00mm
(.787")

Electrical

Current - Maximum per Contact	1A
Data Rate	5.0 Gbps
Shielded	Yes
Voltage - Maximum	120V AC (RMS)/DC

Material Info

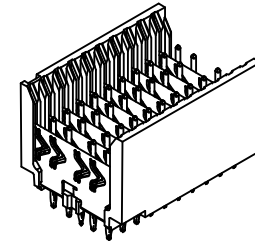
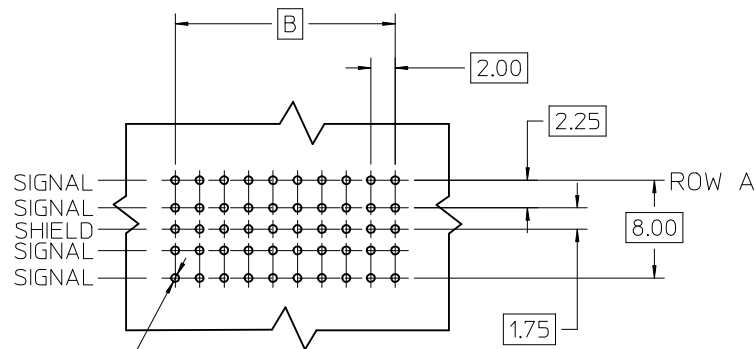
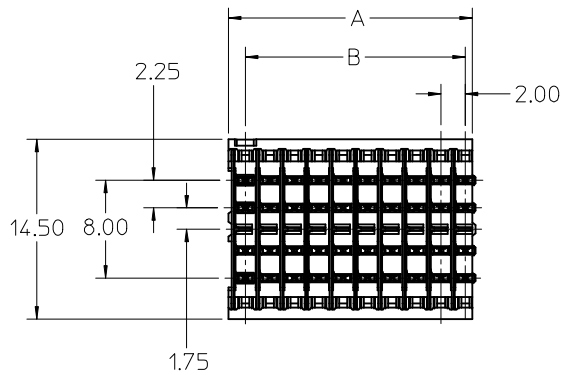
Reference - Drawing Numbers

Packaging Specification	PK-74695-003
Sales Drawing	SD-74695-002

VHDM-HSD is a trademark of Amphenol Corporation

This document was generated on 06/08/2010

PLEASE CHECK WWW.MOLEX.COM FOR LATEST PART INFORMATION

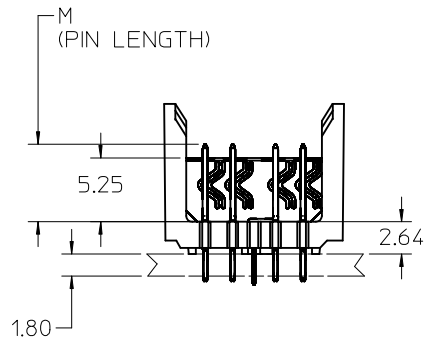
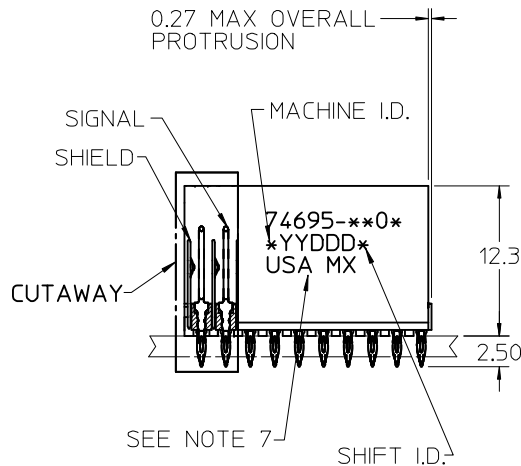


Ø0.66 DRILL
 Ø0.56 ±0.05 PTH
 Ø1.00 PAD

⊕ Ø0.10

BACKPLANE HOLE PATTERN
 RECOMMENDED DIMENSION

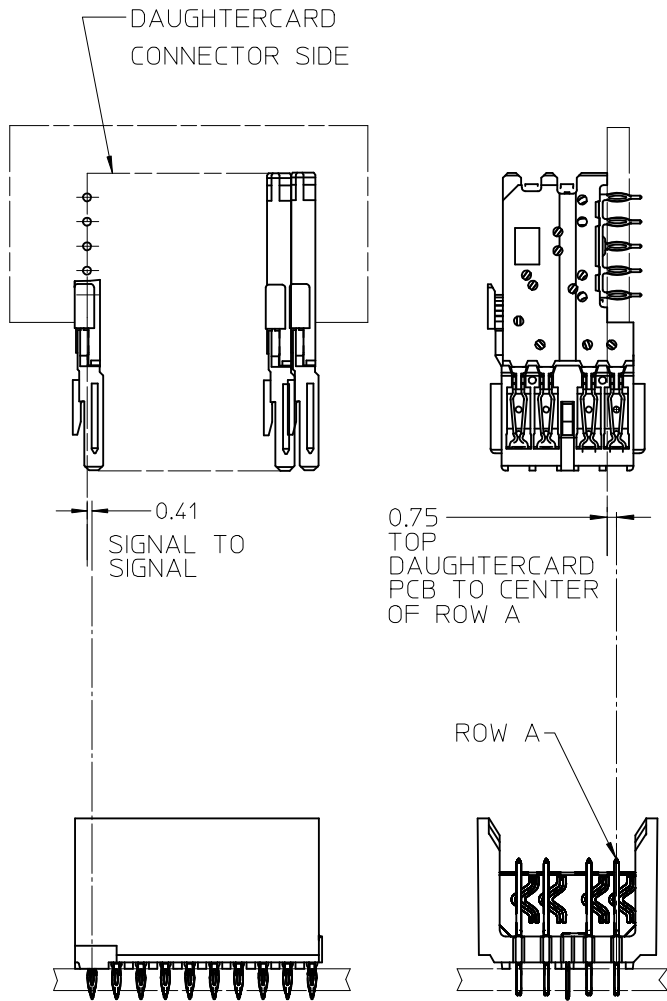
0.27 MAX OVERALL PROTRUSION



NOTES:

1. MATERIAL: HOUSING -LIQUID CRYSTAL POLYMER (LCP). GLASS-FILLED. UL 94 V-0. COLOR BLACK. SIGNAL & SHIELD -COPPER ALLOY.
2. FINISHES: SELECTIVE GOLD (Au) ON CONTACT AREA. SELECTIVE TIN/LEAD (Sn/Pb) OR SELECTIVE MATTE TIN (Sn) ON PCB TAILS. NICKEL (Ni) OVERALL.
3. THIS PART CONFORMS TO MOLEX PRODUCT SPECIFICATION PS-74031-999.
4. FOR MIXED CONTACT MATING LENGTHS CONSULT MOLEX FOR AVAILABILITY.
5. FOR SPECIFIC PART NUMBER AND MATING INFORMATION REFER TO SHEET 2.
6. PACKAGE PER PK-74695-003.
7. EITHER MARK PART NUMBER AND DATE CODE APPROXIMATELY WHERE SHOWN OR PLACE LABEL ON THE TUBE.

REVISED: ADD LEAD-FREE EC NO: UCP2006-1727 DRWN:CTHOMAS 2006/02/16 CHKD:JBINGHAM 2006/02/16 APPR:KYULVEY 2006/02/16	QUALITY SYMBOLS ▽ -0 ∇ -0	GENERAL TOLERANCES (UNLESS SPECIFIED)		SCALE 2.5:1	DESIGN UNITS METRIC	THIRD ANGLE PROJECTION	REVISE ON CAD ONLY	
		4 PLACES ± --- ± --- 3 PLACES ± --- ± --- 2 PLACES ± --- ± --- 1 PLACE ± --- ± ---	DIMENSION STYLE MM ONLY	TITLE HSD SALES ASSEMBLY 5 ROW OPEN END BACKPLANE				
		DRAFT WHERE APPLICABLE MUST REMAIN WITHIN DIMENSIONS		DRAWN BY MQWANG	DATE 2001/04/11	MOLEX INCORPORATED		
				CHECKED BY NMARTIN	DATE 2001/04/14	MATERIAL NO. SEE SHT.2&3	DOCUMENT NO. SD-74695-002	SHEET NO. 1 OF 3



MATERIAL NUMBER ASSIGNMENT

74695-** ** SEE TABLES (SHEET 3)

- NUMBER OF COLUMNS/PLATING
- 10 = 10 COLUMN TIN/LEAD
- 12 = 12 COLUMN TIN/LEAD
- 15 = 15 COLUMN TIN/LEAD
- 25 = 25 COLUMN TIN/LEAD
- 90 = 10 COLUMN MATTE TIN
- 92 = 12 COLUMN MATTE TIN
- 95 = 15 COLUMN MATTE TIN
- 85 = 25 COLUMN MATTE TIN

REVISED: ADD LEAD-FREE EC NO: UCP2006-1727 DRWN:CTHOMAS 2006/02/16 CHKD:JBINGHAM 2006/02/16 APPR:KMYLVEY 2006/02/16	DESCRIPTION REV	QUALITY SYMBOLS	GENERAL TOLERANCES (UNLESS SPECIFIED)		SCALE 2.5:1	DESIGN UNITS METRIC	THIRD ANGLE PROJECTION	REVISE ON CAD ONLY		
		▼ - 0 ∇ - 0	mm	INCH	DIMENSION STYLE MM ONLY		TITLE HSD SALES ASSEMBLY 5 ROW OPEN END BACKPLANE			
			4 PLACES	± ---	± ---	DRAWN BY MQWANG	DATE 2001/04/11	MOLEX INCORPORATED MATERIAL NO. SEE TABLES DOCUMENT NO. SD-74695-002 SHEET NO. 2 OF 3		
			3 PLACES	± ---	± ---	CHECKED BY NMARTIN	DATE 2001/04/14			
			2 PLACES	± ---	± ---	APPROVED BY CBIXLER		DATE 2001/04/14	THIS DRAWING CONTAINS INFORMATION THAT IS PROPRIETARY TO MOLEX INCORPORATED AND SHOULD NOT BE USED WITHOUT WRITTEN PERMISSION	
1 PLACE	± ---	± ---	DRAFT WHERE APPLICABLE MUST REMAIN WITHIN DIMENSIONS							

PART NUMBER	COLUMN	NUMBER OF SIGNAL PINS	NUMBER OF SHIELDS	A	B	M	Au (um) THICKNESS	Sn/Pb (um)	
74695-1001	10	40	10	20.00	18.00	4.75	0.76	0.76-1.52	
74695-1006							1.27		
74695-1201	12	48	12	24.00	22.00		0.76		
74695-1206							1.27		
74695-2501	25	100	25	50.00	48.00	0.76			
74695-2506						1.27			
74695-1002	10	40	10	20.00	18.00	0.76	0.76-1.52		
74695-1007						1.27			
74695-1202	12	48	12	24.00	22.00	0.76			
74695-1207						1.27			
74695-2502	25	100	25	50.00	48.00	0.76			
74695-2507						1.27			
74695-1003	10	40	10	20.00	18.00	0.76			0.76-1.52
74695-1008						1.27			
74695-1203	12	48	12	24.00	22.00	0.76			
74695-1208						1.27			
74695-2503	25	100	25	50.00	48.00	0.76			
74695-2508						1.27			
74695-1004	10	40	10	20.00	18.00	0.76		0.76-1.52	
74695-1009						1.27			
74695-1204	12	48	12	24.00	22.00	0.76			
74695-1209						1.27			
74695-2504	25	100	25	50.00	48.00	0.76			
74695-2509						1.27			

TIN/LEAD CHART

PART NUMBER	COLUMN	NUMBER OF SIGNAL PINS	NUMBER OF SHIELDS	A	B	M	Au (um) THICKNESS	Sn (um)	
74695-9001	10	40	10	20.00	18.00	4.75	0.76	0.76-1.52	
74695-9006							1.27		
74695-9501	12	48	12	24.00	22.00		0.76		
74695-9506							1.27		
74695-8501	25	100	25	50.00	48.00	0.76			
74695-8506						1.27			
74695-9002	10	40	10	20.00	18.00	0.76	0.76-1.52		
74695-9007						1.27			
74695-9502	12	48	12	24.00	22.00	0.76			
74695-9507						1.27			
74695-8502	25	100	25	50.00	48.00	0.76			
74695-8507						1.27			
74695-9003	10	40	10	20.00	18.00	0.76			0.76-1.52
74695-9008						1.27			
74695-9503	12	48	12	24.00	22.00	0.76			
74695-9508						1.27			
74695-8503	25	100	25	50.00	48.00	0.76			
74695-8508						1.27			
74695-9004	10	40	10	20.00	18.00	0.76		0.76-1.52	
74695-9009						1.27			
74695-9504	12	48	12	24.00	22.00	0.76			
74695-9509						1.27			
74695-8504	25	100	25	50.00	48.00	0.76			
74695-8509						1.27			

LEAD FREE CHART

ADDED SHEET: 3 EC NO: UCP2006-1727 DRWNG: THOMAS 2006/02/16 CHKD: JBI NGHAM 2006/02/16 APPR: KMULVEY 2006/02/16	QUALITY SYMBOLS 	GENERAL TOLERANCES (UNLESS SPECIFIED)		DIMENSION STYLE MM ONLY	SCALE METRIC	THIRD ANGLE PROJECTION
		4 PLACES ± --- mm INCH ± ---	DRAWN BY MQWANG DATE 2001/04/11	TITLE HSD SALES ASSEMBLY 5 ROW OPEN END BACKPLANE		
		3 PLACES ± --- mm INCH ± ---	CHECKED BY NMARTIN DATE 2001/04/14	MOLEX INCORPORATED		
		2 PLACES ± --- mm INCH ± ---	APPROVED BY CBIXLER DATE 2001/04/14	MATERIAL NO. SEE TABLES	DOCUMENT NO. SD-74695-002	
1 PLACE ± --- mm INCH ± ---	ANGULAR ±1/2°	DRAFT WHERE APPLICABLE MUST REMAIN WITHIN DIMENSIONS		SHEET NO. 3 OF 3		
THIS DRAWING CONTAINS INFORMATION THAT IS PROPRIETARY TO MOLEX INCORPORATED AND SHOULD NOT BE USED WITHOUT WRITTEN PERMISSION						