

PLEASE CHECK WWW.MOLEX.COM FOR LATEST PART INFORMATION

Part Number: [0912283005](#)
Status: **Active**
Description: 2.54mm (.100") Pitch ChipSIM Connector, 6 Circuits, SMT, With Ejector, With Pegs, Use With Card Holder 91236

Documents:

[3D Model](#) [RoHS Certificate of Compliance \(PDF\)](#)
[Drawing \(PDF\)](#)

General

Product Family	Memory Card Sockets
Series	91228
Button Type	Push-Push
Component Type	Receptacle (Card)
Product Name	ChipSIM
Type	N/A

Physical

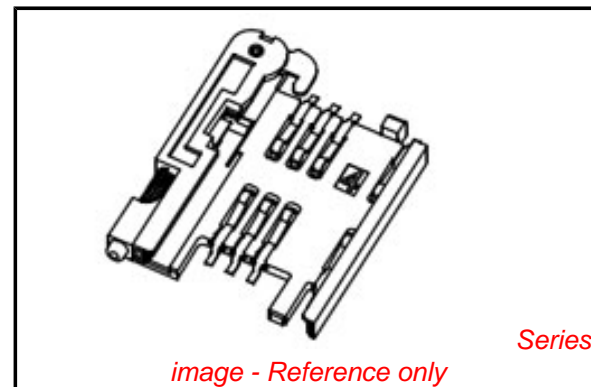
Card Detection Switch	Yes
Circuits (Loaded)	6
Circuits (maximum)	6
Color - Resin	Black, Natural
Durability (mating cycles max)	5,000
Ejector Button Side	Left
Entry Angle	Vertical (Top Entry)
Keying to Mating Part	Yes
Material - Metal	Piano wire, Stainless Steel
Material - Plating Mating	Gold
Material - Plating Termination	Tin
Material - Resin	High Temperature Thermoplastic
PCB Locator	No
PCB Mounting Side	Normal
PCB Retention	None
Packaging Type	Embossed Tape on Reel
Pitch - Mating Interface (in)	0.100 In, 0.288 In
Pitch - Mating Interface (mm)	2.54 mm, 7.32 mm
Pitch - Term. Interface (in)	0.100 In, 0.288 In
Pitch - Term. Interface (mm)	2.54 mm, 7.32 mm
Plating min: Mating (µin)	4
Plating min: Mating (µm)	0.1
Plating min: Termination (µin)	120
Plating min: Termination (µm)	3
Ports	1
Surface Mount Compatible (SMC)	Yes
Temperature Range - Operating	-30°C to +85°C
Termination Interface: Style	Surface Mount

Electrical

Current - Maximum per Contact	0.5A
Shielded	No
Voltage - Maximum	50V DC
Voltage Key	N/A

Solder Process Data

Duration at Max. Process Temperature (seconds)	5
Lead-free Process Capability	Reflow Capable (SMT only)



EU RoHS

**ELV and RoHS
Compliant**
REACH SVHC
 Not Reviewed
**Halogen-Free
Status**

China RoHS



Not Reviewed

**Need more information on product
environmental compliance?**

Email productcompliance@molex.com
 For a multiple part number RoHS Certificate of
 Compliance, [click here](#)

Please visit the [Contact Us](#) section for any
 non-product compliance questions.

Search Parts in this Series
[91228Series](#)

Max. Cycles at Max. Process Temperature	2
Process Temperature max. C	240

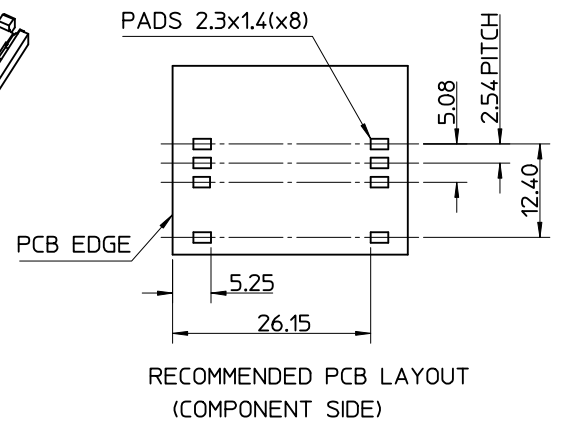
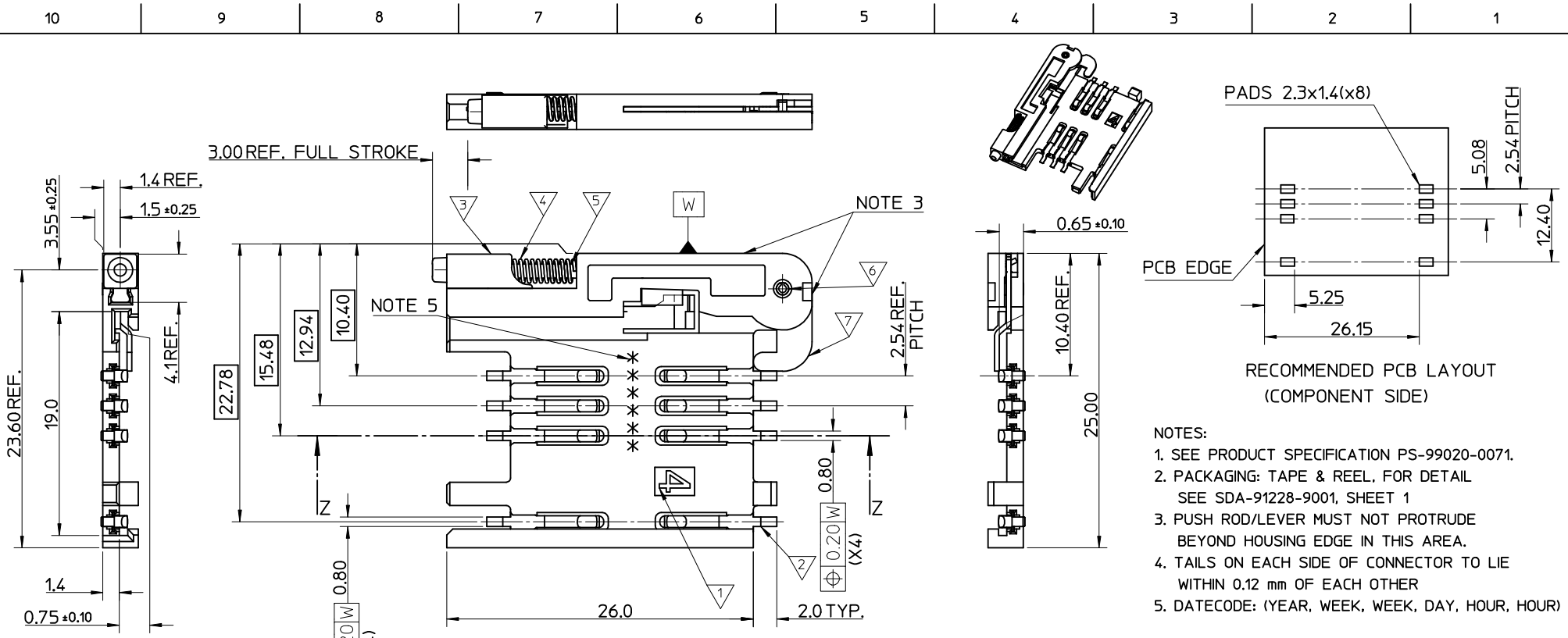
Material Info

Reference - Drawing Numbers

Sales Drawing SD-91228-001, SDA-91228-9001

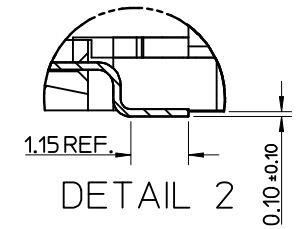
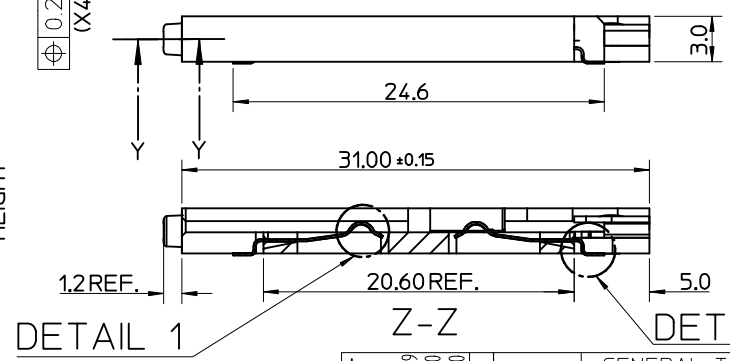
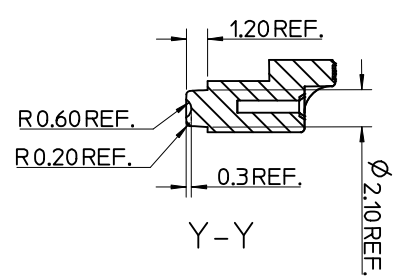
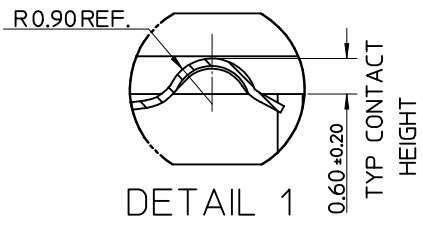
This document was generated on 04/09/2010

PLEASE CHECK WWW.MOLEX.COM FOR LATEST PART INFORMATION



- NOTES:
1. SEE PRODUCT SPECIFICATION PS-99020-0071.
 2. PACKAGING: TAPE & REEL, FOR DETAIL SEE SDA-91228-9001, SHEET 1
 3. PUSH ROD/LEVER MUST NOT PROTRUDE BEYOND HOUSING EDGE IN THIS AREA.
 4. TAILS ON EACH SIDE OF CONNECTOR TO LIE WITHIN 0.12 mm OF EACH OTHER
 5. DATECODE: (YEAR, WEEK, WEEK, DAY, HOUR, HOUR)

ITEM	COMPONENT	QTY	MATERIAL
▽	HOUSING	1	LIQUID CRYSTAL POLYMER (LCP) 30% GLASS FILL, JL94 V-O, COLOUR: BLACK
▽	TERMINAL	8	0.15 PHOSPHOR BRONZE, 0.14µm MIN Au OVER Pd/Ni IN CONTACT AREA 2.54µm MIN Sn ON SMT TAILS
▽	PUSH BUTTON	1	GF POLYAMIDE 6T/66, YELLOW
▽	COIL SPRING	1	0.25 REF THK STAINLESS STEEL
▽	PUSH ROD	1	0.4 REF THK STAINLESS STEEL
▽	C-PIN	1	STEEL
▽	LEVER	1	0.4 REF THK STAINLESS STEEL



MOD TO BUTTON MAT
EC NO: E2009-0597
DRW: F DUGGAN
CHKD: 2009/07/30
APPR: EFOLAN
2009/07/30

QUALITY SYMBOLS
▽ = 0
◻ = 0

GENERAL TOLERANCES (UNLESS SPECIFIED)

	mm	INCH
4 PLACES	± ---	± ---
3 PLACES	± ---	± ---
2 PLACES	± 0.05	± ---
1 PLACE	± 0.1	± ---

ANGULAR ± 2 °

DRAFT WHERE APPLICABLE MUST REMAIN WITHIN DIMENSIONS

DIMENSION STYLE
MM ONLY

SCALE
5:1

DESIGN UNITS
METRIC

THIRD ANGLE PROJECTION

DRAWN BY
RFORREY

DATE
2006/11/27

CHECKED BY
FDUGGAN

DATE
2006/11/27

APPROVED BY
EFOLAN

DATE
2006/11/27

MATERIAL NO.
912283001

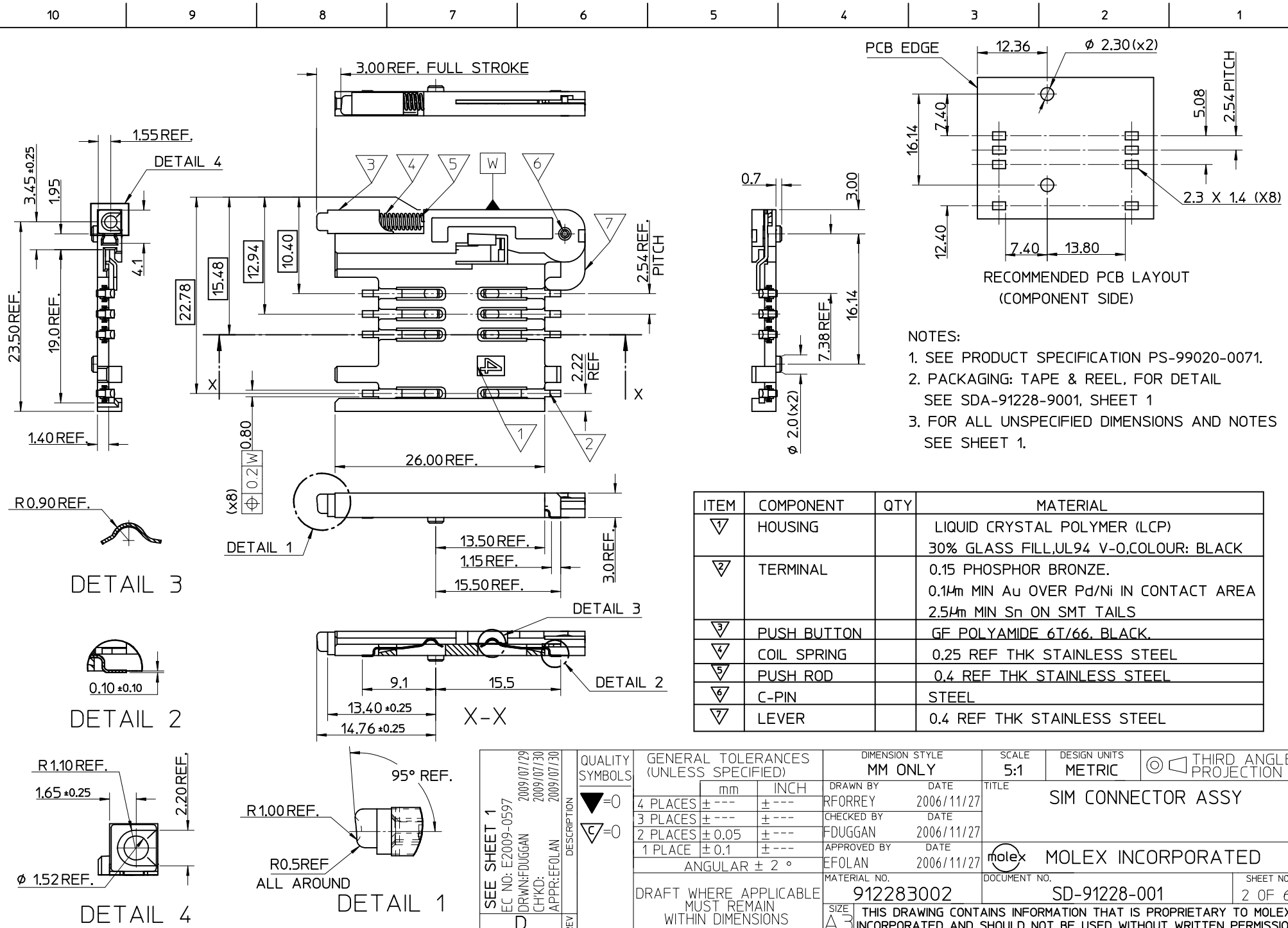
TITLE
SIM CONNECTOR ASSY

MOLEX INCORPORATED

DOCUMENT NO.
SD-91228-001

SHEET NO.
1 OF 6

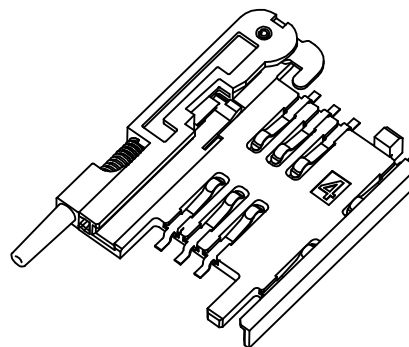
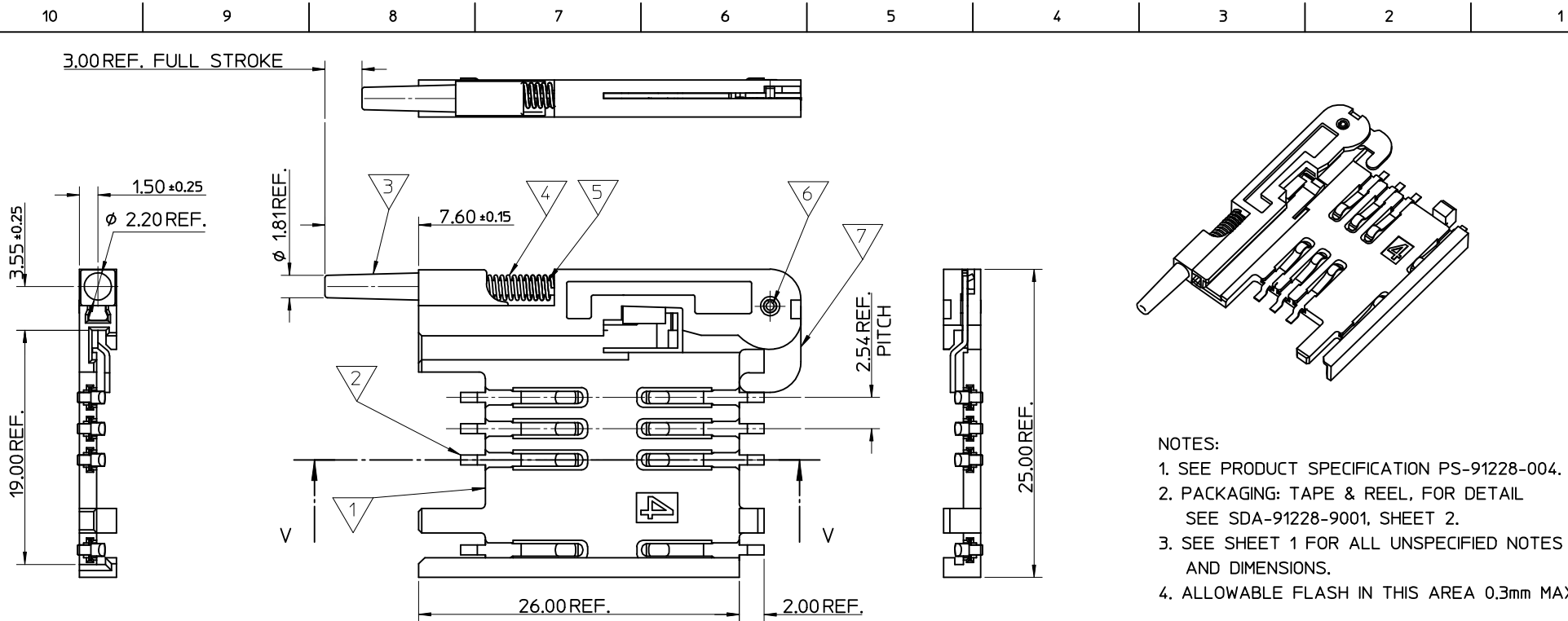
THIS DRAWING CONTAINS INFORMATION THAT IS PROPRIETARY TO MOLEX INCORPORATED AND SHOULD NOT BE USED WITHOUT WRITTEN PERMISSION



- NOTES:
1. SEE PRODUCT SPECIFICATION PS-99020-0071.
 2. PACKAGING: TAPE & REEL, FOR DETAIL SEE SDA-91228-9001, SHEET 1
 3. FOR ALL UNSPECIFIED DIMENSIONS AND NOTES SEE SHEET 1.

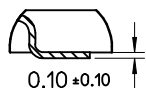
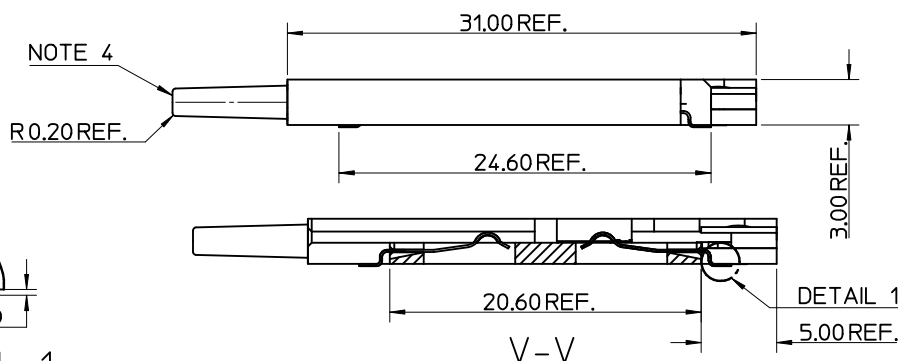
ITEM	COMPONENT	QTY	MATERIAL
▽	HOUSING		LIQUID CRYSTAL POLYMER (LCP) 30% GLASS FILL, UL94 V-0, COLOUR: BLACK
▽	TERMINAL		0.15 PHOSPHOR BRONZE. 0.14mm MIN Au OVER Pd/Ni IN CONTACT AREA 2.54mm MIN Sn ON SMT TAILS
▽	PUSH BUTTON		GF POLYAMIDE 6T/66, BLACK.
▽	COIL SPRING		0.25 REF THK STAINLESS STEEL
▽	PUSH ROD		0.4 REF THK STAINLESS STEEL
▽	C-PIN		STEEL
▽	LEVER		0.4 REF THK STAINLESS STEEL

SEE SHEET 1 EC NO: E2009-0597 DRW: F. DUGGAN CHKD: CHKD: APPR: EFOLAN 2009/07/29 2009/07/30 2009/07/30	QUALITY SYMBOLS ▽ = 0 ▽ = 0	GENERAL TOLERANCES (UNLESS SPECIFIED) mm INCH 4 PLACES ± --- ± --- 3 PLACES ± --- ± --- 2 PLACES ± 0.05 ± --- 1 PLACE ± 0.1 ± --- ANGULAR ± 2°	DIMENSION STYLE MM ONLY DRAWN BY: RFORREY DATE: 2006/11/27 CHECKED BY: DATE: APPROVED BY: FDUCCAN DATE: 2006/11/27 EFOLAN 2006/11/27	SCALE 5:1 DESIGN UNITS METRIC	THIRD ANGLE PROJECTION
	DRAFT WHERE APPLICABLE MUST REMAIN WITHIN DIMENSIONS		MATERIAL NO. 912283002	DOCUMENT NO. SD-91228-001	SHEET NO. 2 OF 6
	TITLE SIM CONNECTOR ASSY		MOLEX INCORPORATED		
	THIS DRAWING CONTAINS INFORMATION THAT IS PROPRIETARY TO MOLEX INCORPORATED AND SHOULD NOT BE USED WITHOUT WRITTEN PERMISSION				



NOTES:

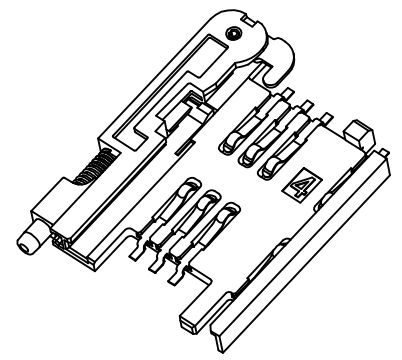
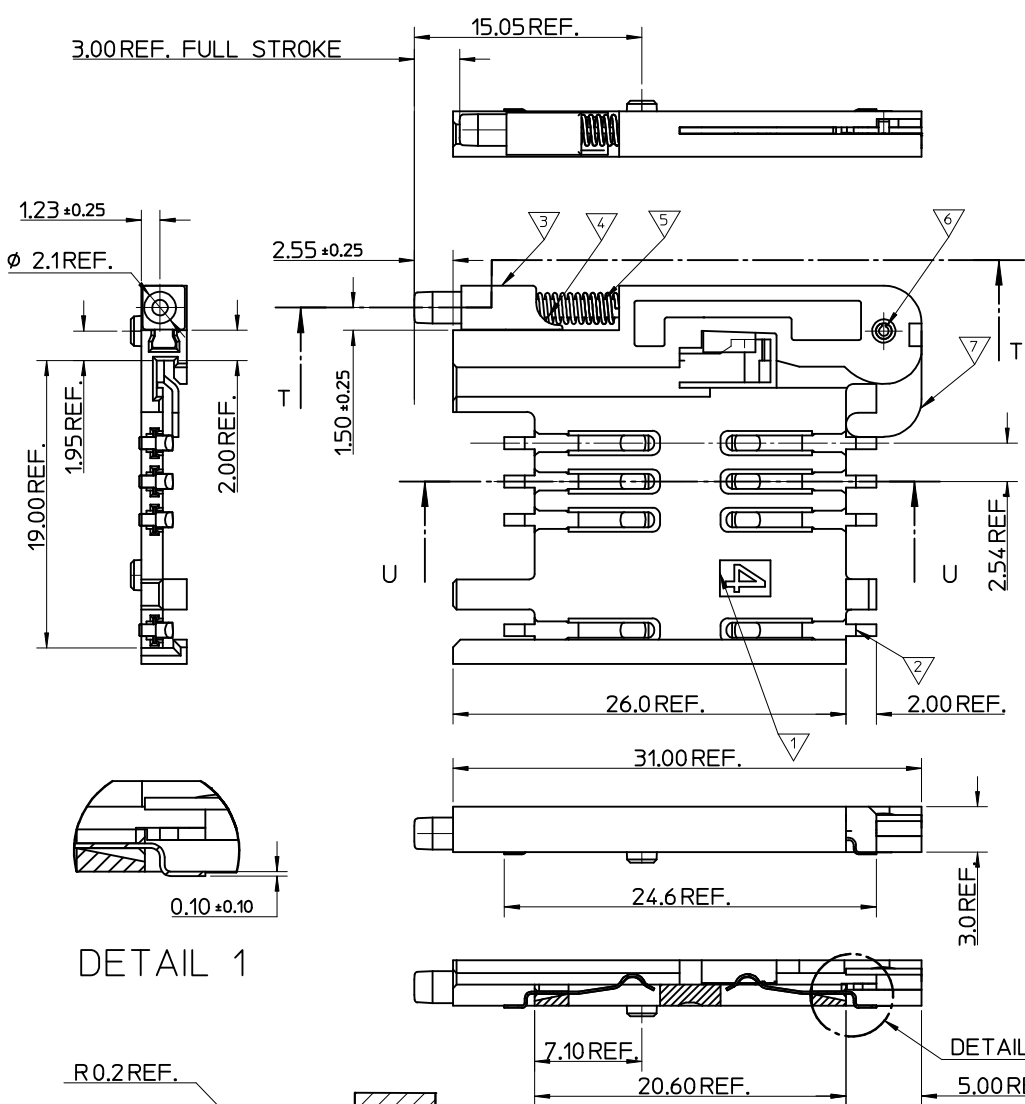
1. SEE PRODUCT SPECIFICATION PS-91228-004.
2. PACKAGING: TAPE & REEL, FOR DETAIL SEE SDA-91228-9001, SHEET 2.
3. SEE SHEET 1 FOR ALL UNSPECIFIED NOTES AND DIMENSIONS.
4. ALLOWABLE FLASH IN THIS AREA 0.3mm MAX.



DETAIL 1

ITEM	COMPONENT	QTY	MATERIAL
▽1	HOUSING	1	LIQUID CRYSTAL POLYMER (LCP) 30% GLASS FILL, UL94 V-0, COLOUR: BLACK
▽2	TERMINAL	8	0.15 PHOSPHOR BRONZE. 0.14μm MIN Au OVER Pd/Ni IN CONTACT AREA 2.54μm MIN Sn ON SMT TAILS
▽3	PUSH BUTTON	1	GF POLYAMIDE 6T/66, NATURAL
▽4	COIL SPRING	1	0.25 REF THK STAINLESS STEEL
▽5	PUSH ROD	1	0.4 REF THK STAINLESS STEEL
▽6	C-PIN	1	STEEL
▽7	LEVER	1	0.4 REF THK STAINLESS STEEL

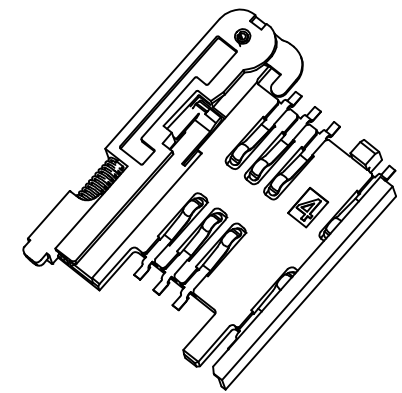
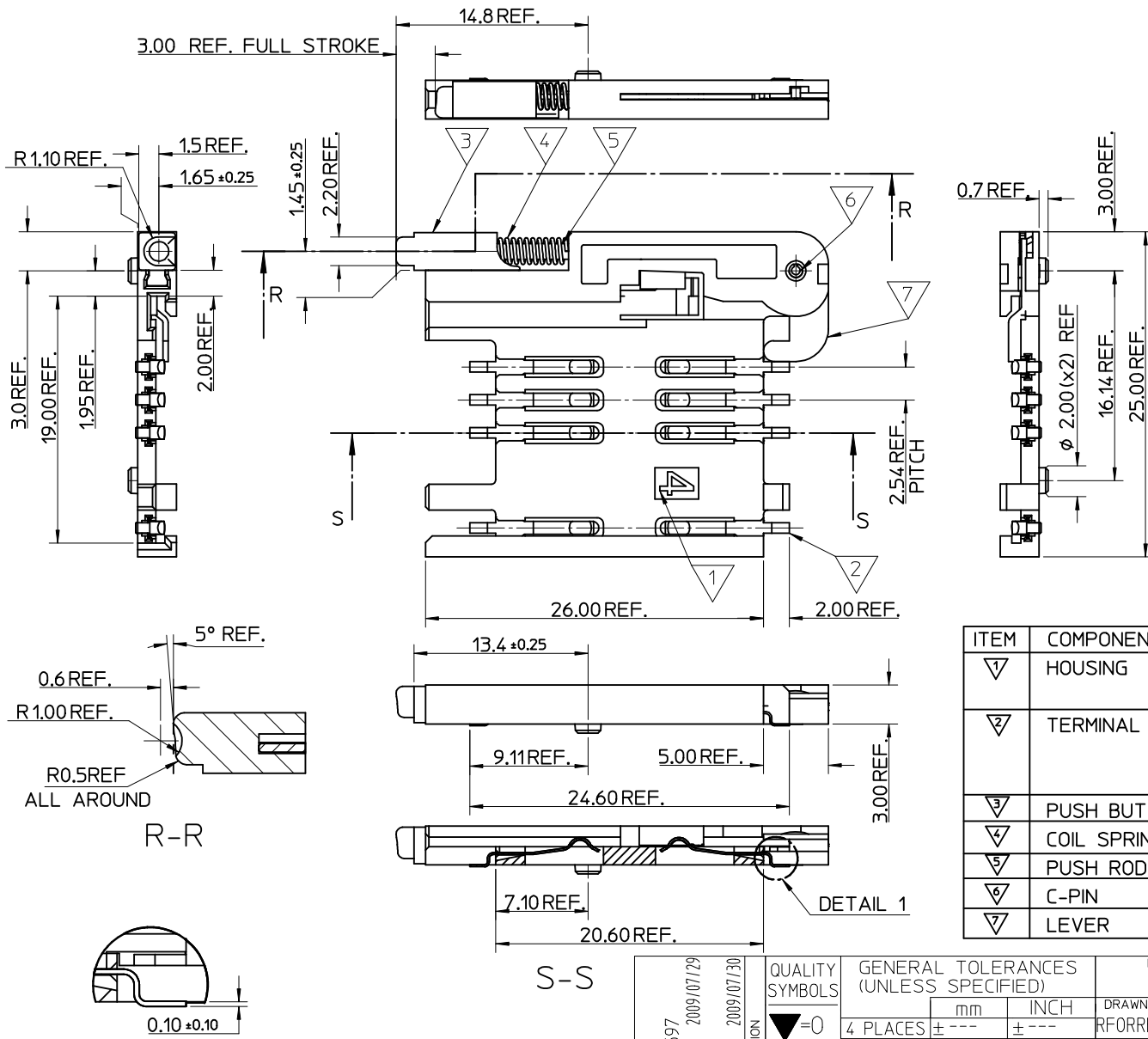
SEE SHEET 1 EC NO: E2009-0597 DRWN: FDUGGAN 2009/07/29 CHKD: 2009/07/30 APPR: EFOLAN 2009/07/30	QUALITY SYMBOLS	GENERAL TOLERANCES (UNLESS SPECIFIED)		DIMENSION STYLE		SCALE	DESIGN UNITS	THIRD ANGLE PROJECTION	
	▽=0	mm	INCH	MM ONLY		5:1	METRIC	SIM CONNECTOR ASSY	
	∇=0	4 PLACES ± ---	± ---	DRAWN BY	DATE	TITLE			
		3 PLACES ± ---	± ---	RFORREY	2006/11/27	MOLEX INCORPORATED			
	2 PLACES ± 0.05	± ---	CHECKED BY	DATE	MATERIAL NO.		DOCUMENT NO.		SHEET NO.
	1 PLACE ± 0.1	± ---	FDUGGAN	2006/11/27	912283005		SD-91228-001		3 OF 6
			APPROVED BY	DATE	THIS DRAWING CONTAINS INFORMATION THAT IS PROPRIETARY TO MOLEX INCORPORATED AND SHOULD NOT BE USED WITHOUT WRITTEN PERMISSION				
			EFOLAN	2006/11/27					
			ANGULAR ± 2 °						
			DRAFT WHERE APPLICABLE MUST REMAIN WITHIN DIMENSIONS						
			SIZE						
			A3						



- NOTES:
1. SEE PRODUCT SPECIFICATION PS-99020-0071.
 2. PACKAGING: TAPE & REEL, FOR DETAIL SEE SDA-91228-9001, SHEET 2.
 3. SEE SHEETS 1 & 2 FOR ALL UNSPECIFIED NOTES AND DIMENSIONS.

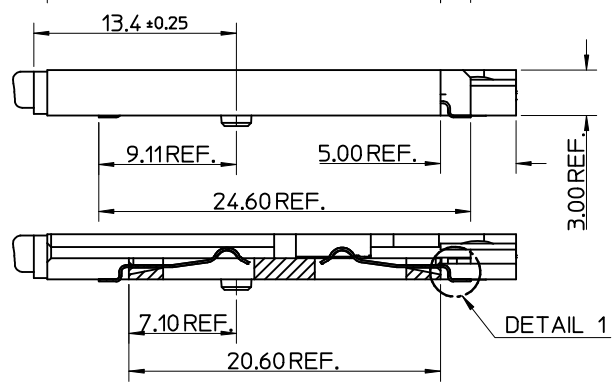
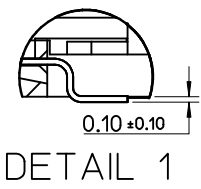
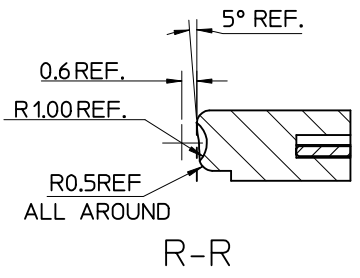
ITEM	COMPONENT	QTY	MATERIAL
▽	HOUSING	1	LIQUID CRYSTAL POLYMER (LCP) 30% GLASS FILL, UL94 V-0, COLOUR: BLACK
▽	TERMINAL	8	0.15 PHOSPHOR BRONZE. 0.14m MIN Au OVER Pd/Ni IN CONTACT AREA 2.54m MIN Sn ON SMT TAILS
▽	PUSH BUTTON	1	GF POLYAMIDE 6T/66, BLACK.
▽	COIL SPRING	1	0.25 REF THK STAINLESS STEEL
▽	PUSH ROD	1	0.4 REF THK STAINLESS STEEL
▽	C-PIN	1	STEEL
▽	LEVER	1	0.4 REF THK STAINLESS STEEL

SEE SHEET 1 EC NO: E2009-0597 DRWN: FUGGAN 2009/07/29 CHKD: 2009/07/30 APPR: EFOLAN 2009/07/30	QUALITY SYMBOLS	GENERAL TOLERANCES (UNLESS SPECIFIED)	DIMENSION STYLE	SCALE	DESIGN UNITS	THIRD ANGLE PROJECTION	
	▽ = 0	mm INCH	MM ONLY	5:1	METRIC	□	
	∇ = 0	4 PLACES ± --- ± ---	DRAWN BY DATE	TITLE			
		3 PLACES ± --- ± ---	FORREY 2006/11/27	SIM CONNECTOR ASSY			
	2 PLACES ± 0.05 ± ---	CHECKED BY DATE	MATERIAL NO.				
	1 PLACE ± 0.1 ± ---	FUGGAN 2006/11/27	DOCUMENT NO.				
	ANGULAR ± 2 °	APPROVED BY DATE	MATERIAL NO.				
		EFOLAN 2006/11/27	DOCUMENT NO.				
			912283006		SD-91228-001		
			MATERIAL NO.		SHEET NO.		
			912283006		4 OF 6		
			DRAFT WHERE APPLICABLE MUST REMAIN WITHIN DIMENSIONS				
			THIS DRAWING CONTAINS INFORMATION THAT IS PROPRIETARY TO MOLEX INCORPORATED AND SHOULD NOT BE USED WITHOUT WRITTEN PERMISSION				



- NOTES:
1. SEE PRODUCT SPECIFICATION PS-99020-0071.
 2. PACKAGING: TAPE & REEL, FOR DETAIL SEE SDA-91228-9001, SHEET 1.
 3. SEE SHEET 1 FOR ALL UNSPECIFIED NOTES AND DIMENSIONS.

ITEM	COMPONENT	QTY	MATERIAL
▽	HOUSING	1	LIQUID CRYSTAL POLYMER (LCP) 30% GLASS FILL,UL94 V-0,COLOUR: BLACK
▽	TERMINAL	8	0.15 PHOSPHOR BRONZE. 0.14mm MIN Au OVER Pd/Ni IN CONTACT AREA 2.54mm MIN Sn ON SMT TAILS
▽	PUSH BUTTON	1	GF POLYAMIDE 6T/66, BLUE
▽	COIL SPRING	1	0.25 REF THK STAINLESS STEEL
▽	PUSH ROD	1	0.4 REF THK STAINLESS STEEL
▽	C-PIN	1	STEEL
▽	LEVER	1	0.4 REF THK STAINLESS STEEL



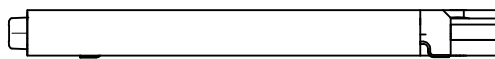
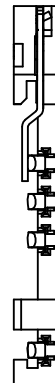
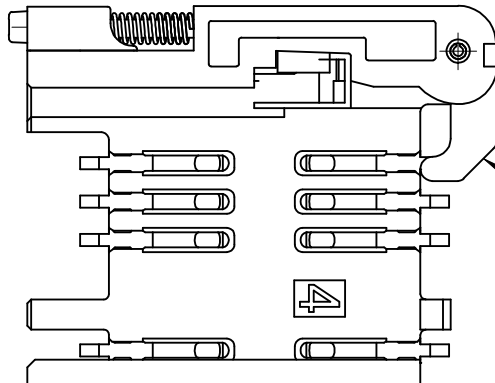
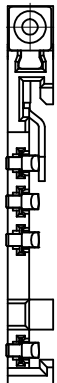
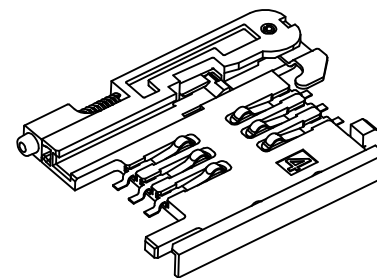
SEE SHEET 1	DESCRIPTION
EC NO: E2009-0597	2009/07/29
DRWN:FDUGGAN	2009/07/29
CHKD:	
APPR:EFOLAN	2009/07/30

QUALITY SYMBOLS	DESCRIPTION
▽=0	
◻=0	

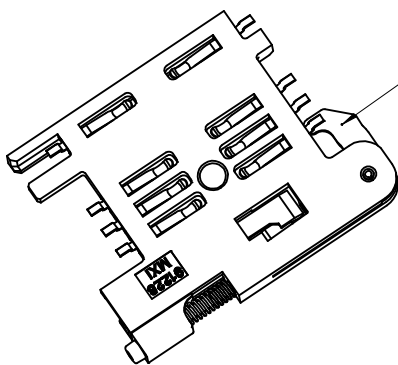
GENERAL TOLERANCES (UNLESS SPECIFIED)	DIMENSION STYLE	SCALE	DESIGN UNITS	THIRD ANGLE PROJECTION
	MM ONLY	5:1	METRIC	
4 PLACES ± ---	DRAWN BY	DATE	TITLE	
3 PLACES ± ---	RFORREY	2006/11/27	SIM CONNECTOR ASSY	
2 PLACES ± 0.05	CHECKED BY	DATE		
1 PLACE ± 0.1	FDUGGAN	2006/11/27		
	APPROVED BY	DATE		
	EFOLAN	2006/11/27		
	ANGULAR ± 2 °			
	MATERIAL NO.			
	912283007			
	DRAFT WHERE APPLICABLE MUST REMAIN WITHIN DIMENSIONS			

SIZE	THIS DRAWING CONTAINS INFORMATION THAT IS PROPRIETARY TO MOLEX INCORPORATED AND SHOULD NOT BE USED WITHOUT WRITTEN PERMISSION
A3	

MATERIAL NO.	DOCUMENT NO.	SHEET NO.
912283007	SD-91228-001	5 OF 6



NOTE 6
BLACK COLOUR
THIS FACE

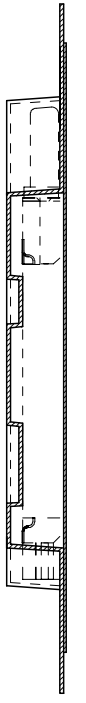
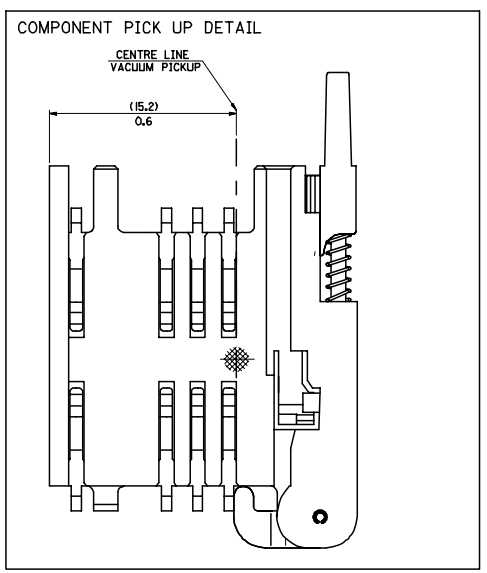


NOTES:

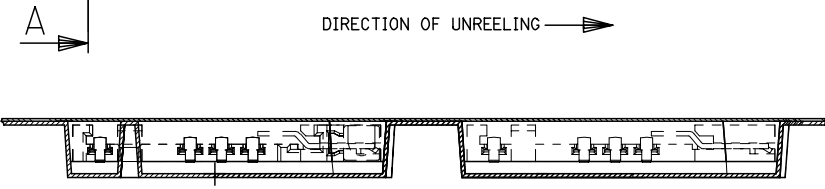
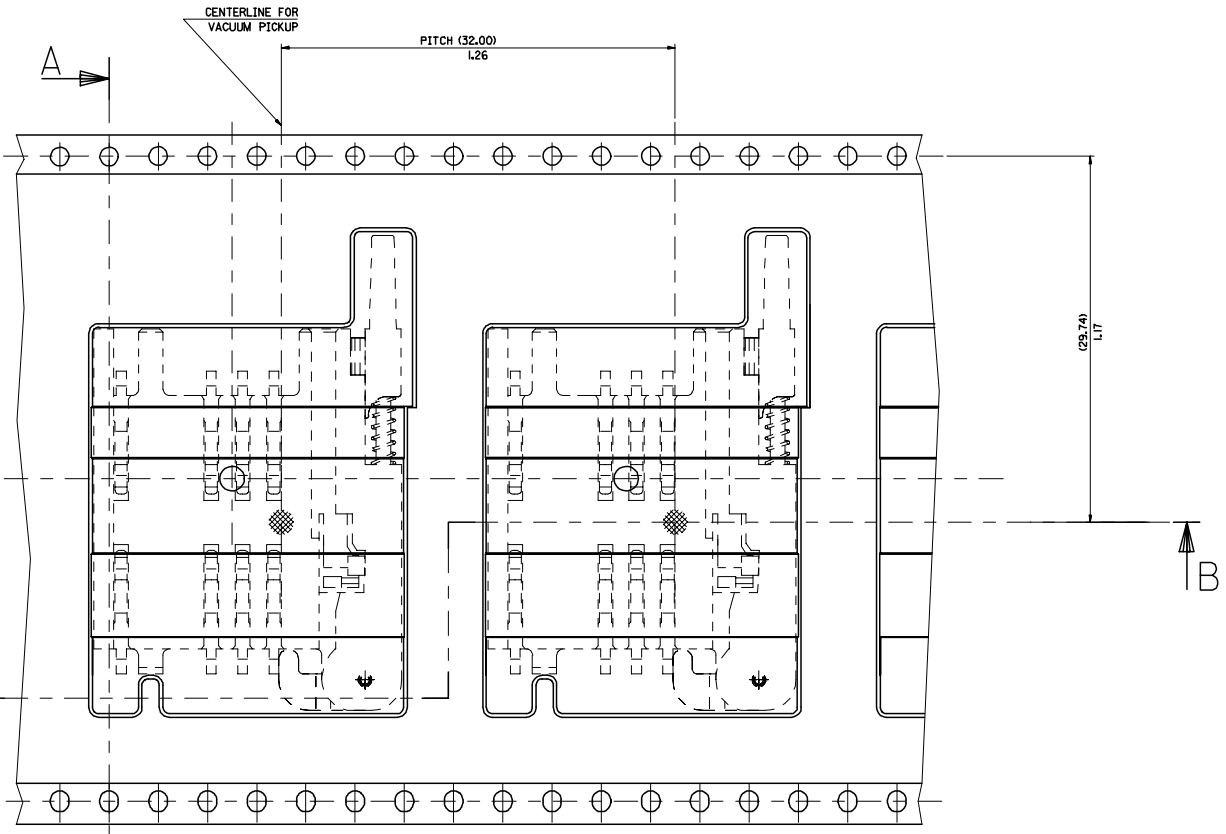
1. SEE PRODUCT SPECIFICATION PS-91228-016
2. PACKAGING: TAPE & REEL, FOR DETAIL SEE SDA-91228-9001, SHEET 1
3. FOR ALL UNSPECIFIED DIMENSIONS AND NOTES SEE SHEET 1.
4. 5mm EJECTOR LEVER
5. CARD HOLDER EJECTION DISTANCE: 5.0±0.3mm
6. LEVER FACE TO BE COLOURED BLACK WITH ALCOHOL BASED INK.

SEE SHEET 1 EC NO: E2009-0597 DRWN:FDUGGAN 2009/07/29 CHKD: 2009/07/30 APPR:EFOLAN 2009/07/30	DESCRIPTION REV	QUALITY SYMBOLS	GENERAL TOLERANCES (UNLESS SPECIFIED)	DIMENSION STYLE	SCALE	DESIGN UNITS	THIRD ANGLE PROJECTION
		▼=0 ◻=0	mm INCH	MM ONLY	3:1	METRIC	
			4 PLACES ± --- ± ---	DRAWN BY: RFORREY DATE: 2006/11/27	TITLE: SIM CONNECTOR ASSY		
			3 PLACES ± --- ± ---	CHECKED BY: FDUGGAN DATE: 2006/11/27			
	2 PLACES ± 0.05 ± ---	APPROVED BY: EFOLAN DATE: 2006/11/27					
	1 PLACE ± 0.1 ± ---						
	ANGULAR ± 2 °						
		DRAFT WHERE APPLICABLE MUST REMAIN WITHIN DIMENSIONS	MATERIAL NO. 912283016	DOCUMENT NO. SD-91228-001	SHEET NO. 6 OF 6		
			SIZE A3	THIS DRAWING CONTAINS INFORMATION THAT IS PROPRIETARY TO MOLEX INCORPORATED AND SHOULD NOT BE USED WITHOUT WRITTEN PERMISSION			

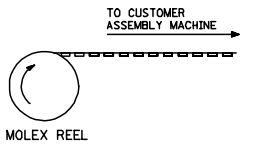
20 19 18 17 16 15 14 13 12 11 10 9 8 7 6 5 4 3 2 1



PART NO	DESCRIPTION
91228-0005 & 91228-3005	SIM CONNECTOR WITHOUT PEGS
91228-0010 & 91228-3010	SIM CONNECTOR WITH PEGS
91228-0006 & 91228-3006	SIM CONNECTOR WITH PEGS



DIRECTION OF UNREELING →



NOTES:
1) FOR ALL UNSPECIFIED NOTES, DETAILS AND DIMENSIONS SEE SHEET 1

REV	DESCRIPTION	QUALITY SYMBOLS	GENERAL TOLERANCES (UNLESS SPECIFIED)		DIMENSION STYLE		SCALE	DESIGN UNITS	THIRD ANGLE PROJECTION
			mm	INCH	MM/IN	MM/IN			
1	ADDED NEW P/ANS ECLANG E2007-0648 2007/02/19	▽=0 ▽=0	4 PLACES ±	±	DRAWN BY	DATE	---	METRIC	BLISTER PACKAGING SIM CARD PCB HOUSING
2	DRWNG/CHKD APPR/EFOULAN 2007/02/22 2007/02/26		3 PLACES ±	±	MAHER	2006/12/07			
			2 PLACES ±	±	CHECKED BY	DATE			
			1 PLACE ±	±	DUGGAN	2006/12/07			
			ANGULAR ±	±	APPROVED BY	DATE			
					EFOULAN	2006/12/07			
					MATERIAL NO.				
					SEE CHART				
					SIZE				
					A 1				
					THIS DRAWING CONTAINS INFORMATION THAT IS PROPRIETARY TO MOLEX INCORPORATED AND SHOULD NOT BE USED WITHOUT WRITTEN PERMISSION				

19 18 17 16 15 14 13 12 11 10 9 8 7 6 5 4 3 2 1