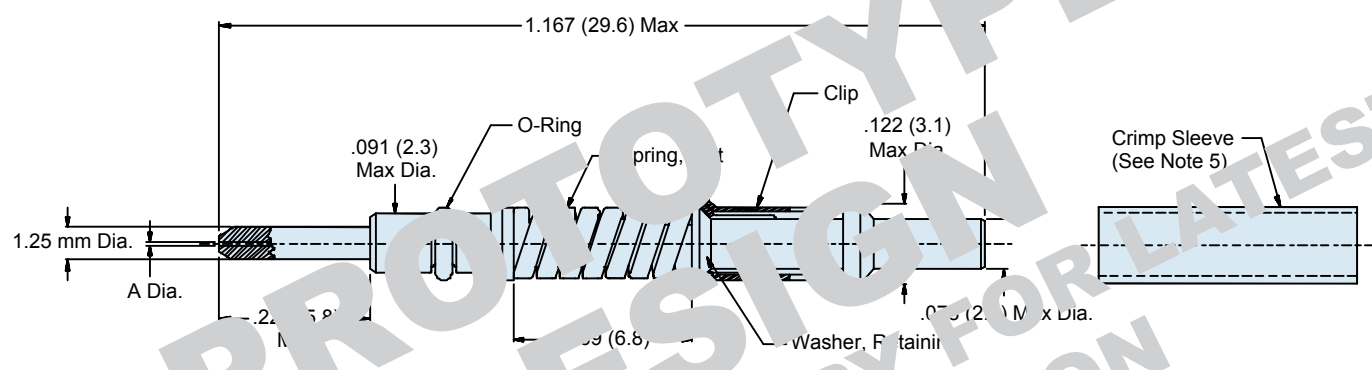




181-043
Rear Release Genderless Terminus
for Next Generation (NGCON) Fiber Optic Connectors

181-043-126 M

Product Series ———
 Basic Number ———
 Dash Number
 (Table I)
 M - Multimode
 S - Singlemode



APPLICATION NOTES

1. Assembly packaged in plastic bag and tag for reference with manufacturer's name and part number.
2. Material/Finish:
 Terminus: Zirconia Ceramic/N.A.
 Terminus Assembly: Stainless Steel/Passivate
 Retaining Clip: Spring Alloy/N.A.
 Spring: High Tensile Stainless Steel/Passivate
 O-Ring: Fluorosilicone
 Crimp Sleeve: Brass Alloy/Nickel.
3. Recommended Removal Tool: NAVSEA DWG TBD.
4. See 182-XXXX for Pin Terminus Polishing Tool.
5. Crimp Sleeve may be ordered separately (Table II).
6. Metric dimensions (mm) are indicated in parentheses.

TABLE I: DASH NUMBER

ASSEMBLY DASH NUMBER	A DIA.
181-043-125	125
181-043-1255	125.5
181-043-126	126
181-043-127	127
181-043-142	142
181-043-145	145
181-043-156	156
181-043-157	157
181-043-173	173
181-043-175	175
181-043-236	236
181-043-285	285
181-043-448	448