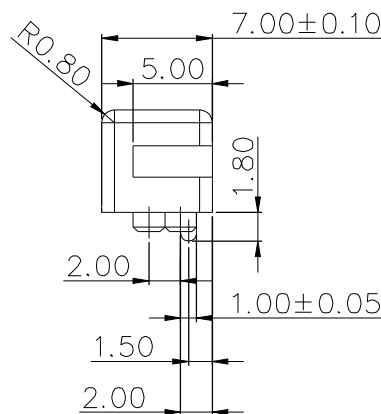
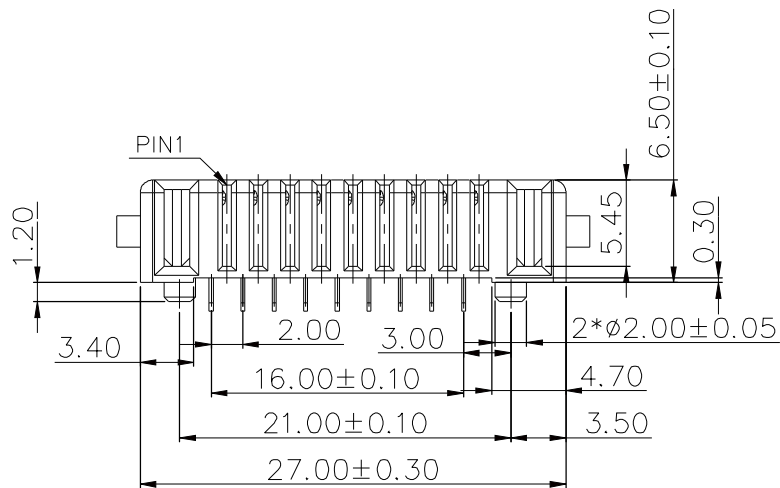
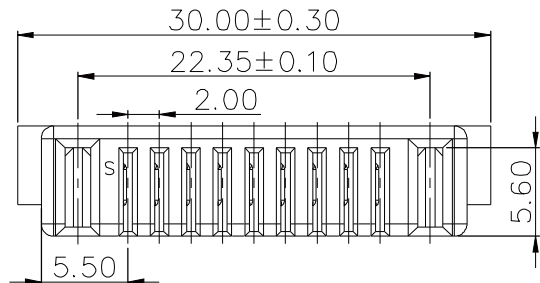


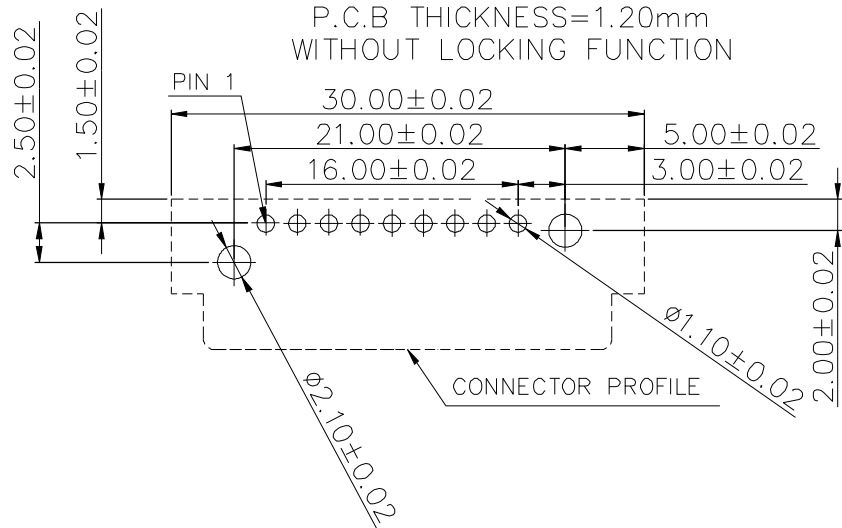


RoHS Compliant
2002/95/EC

Level-1 Controlled Substances are banned

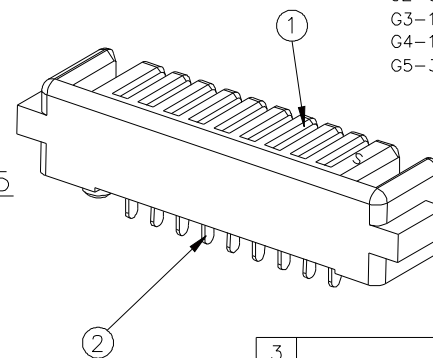


RECOMMENDED P.C.B LAYOUT (COMPONENT SIDE)
P.C.B THICKNESS=1.20mm
WITHOUT LOCKING FUNCTION



NOTE(1):
200274FS009 GX 28ZU
1

- 1.PLATING
G1-5u" GOLD OVER NICKEL.
G2-GOLD FLASH OVER 30u" MIN NICKEL.
G3-10u" GOLD OVER NICKEL.
G4-15u" GOLD OVER NICKEL.
G5-30u" GOLD OVER NICKEL.



3			
2	TERMINAL	COPPER ALLOY	GOLD/TIN PLATED
1	PLASTIC	HIGH TEMP PLASTICS	BLACK UL 94V-0
NO. DESCRIPTION		MATERIAL	COLOR
			REMARK

SUYIN
CONNECTOR

CUSTOMER COPY	TITLE: 2.00mm BATTERY CONNECTOR		
PART NO.		200274FS009GX28ZU	
PRODUCT SPEC.		200274FSXXXXX28XX	
FILE NAME.	D	200274FS009GX28ZU-C	
SCALE	2:1	UNIT:mm	A4 SHEET:1 of 2

					Angle	±2°				
	0		NEW RELEASE	邱清蘭 張裕奇	30 ~	±0.50	DRAW	邱清蘭	08'/07/15	
DCB-070623-03	PA	07'/06/23	PA1: 增加S字樣	劉翊娜 許俊賢	10 ~ 30	±0.30	DESIGN	邱清蘭	08'/07/15	
	PO	07'/04/18	NEW	譚貴學 許俊賢	~ 10	±0.15	CHECK	程夢麗	08'/07/15	
ECN(DCN) NO.	REV	DATE	DESCRIPTION	CHANGE	APPRO.	GENERAL TOLERANCE UNLESS OTHERWISE NOTED	APPRO.	張裕奇	08'/07/15	