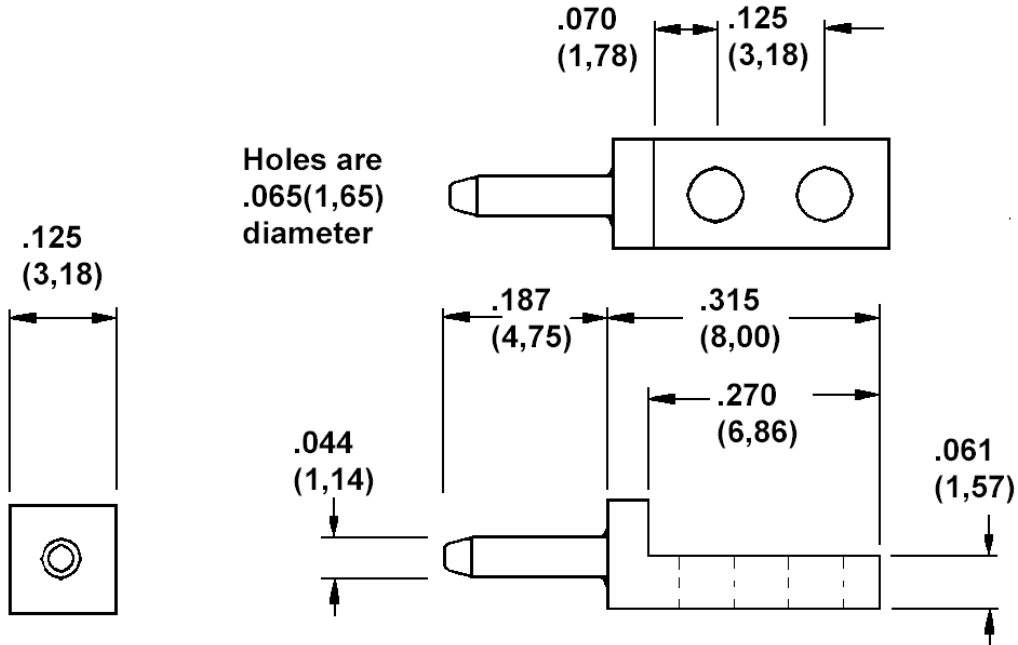


## 461-2654 Eyelet mount connector pin, .044 (1,14) diameter pin



How to order code  
461-2654-01-XX-00  
 Basic Part No

MATERIALS			
Component	Material	Finish(-03)	Finish (-04)
Pin	Brass	Gold over Nickel	Electro Tin over Copper