

PLEASE CHECK WWW.MOLEX.COM FOR LATEST PART INFORMATION

Part Number: [0879853050](#)
Status: **Active**
Description: 2.00mm (.079") Pitch Milli-Grid™ Cable-to-Board Receptacle, Dual Row, IDT, Center Polarization Key, 50 Circuits, 0.38mm (.015") Gold (Au) Selective Plating, Metal Latch, Lead-free, Tray

Documents:

[3D Model](#) [Product Specification PS-87985-026 \(PDF\)](#)
[Drawing \(PDF\)](#) [RoHS Certificate of Compliance \(PDF\)](#)

Agency Certification

CSA LR 19980
 UL E29179

General

Product Family IDT and Solder Connectors
 Series [87985](#)
 Crimp Quality Equipment Yes
 Product Name Milli-Grid™
 Use With [87569-1030](#) Strain Relief (Optional)

Physical

Circuits (Loaded) 50
 Durability (mating cycles max) 30
 Flammability 94V-0
 Gender Female
 Glow-Wire Compliant No
 Lock to Mating Part Yes
 Material - Metal Beryllium Copper, Stainless Steel
 Number of Rows 2
 Packaging Type Tray
 Panel Mount No
 Pitch - Mating Interface (in) 0.079 In
 Pitch - Mating Interface (mm) 2.00 mm
 Polarized to Mating Part Yes
 Stackable No
 Temperature Range - Operating -40°C to +85°C
 Wire Size AWG 26, 28

Electrical

Current - Maximum per Contact 1A
 Voltage - Maximum 125V

Material Info

Reference - Drawing Numbers

Product Specification PS-87985-026
 Sales Drawing SD-87985-014

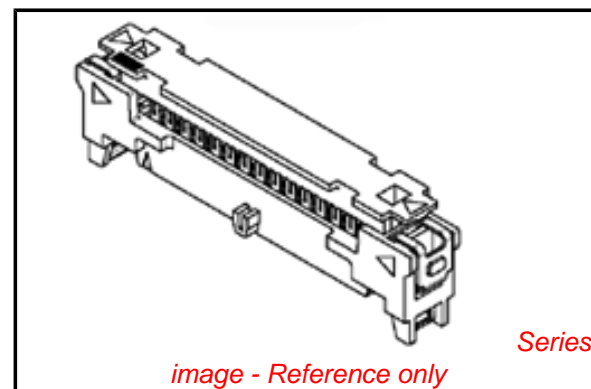


image - Reference only

EU RoHS

ELV and RoHS Compliant
REACH SVHC
 Not Reviewed
Halogen-Free Status
Not Reviewed

China RoHS



Need more information on product environmental compliance?

Email productcompliance@molex.com
 For a multiple part number RoHS Certificate of Compliance, [click here](#)

Please visit the [Contact Us](#) section for any non-product compliance questions.

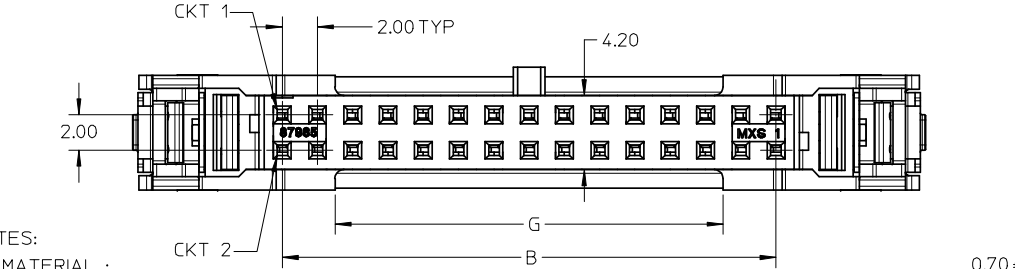
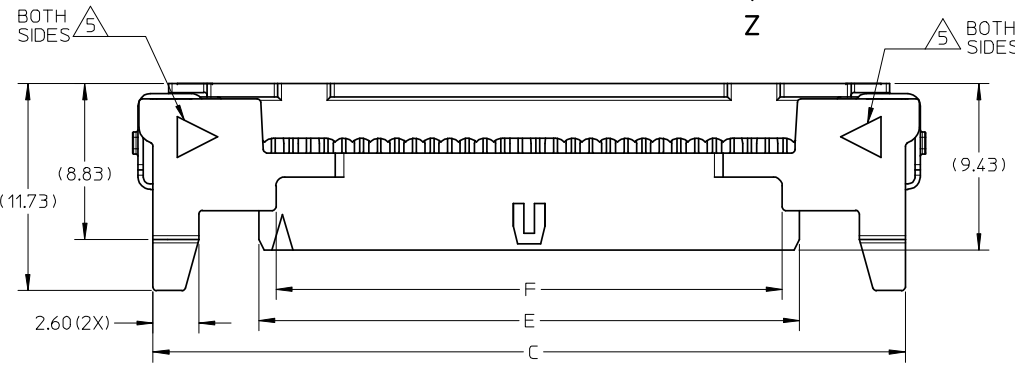
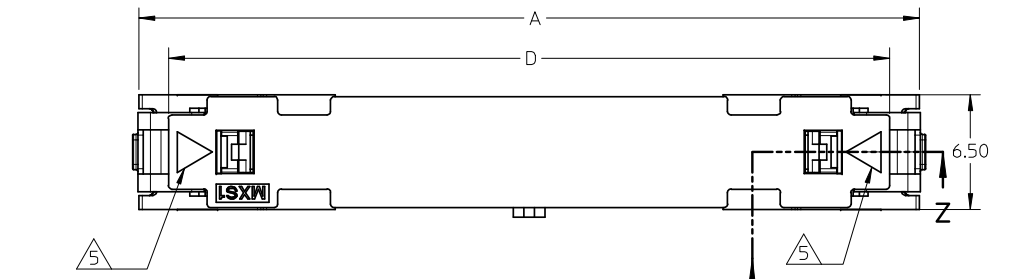
Search Parts in this Series

[87985Series](#)

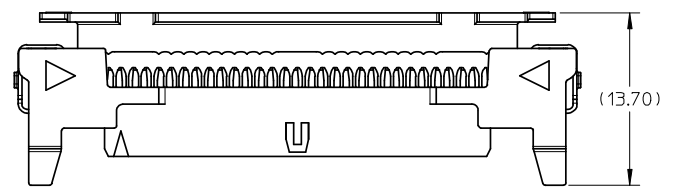
Mates With

[87981](#) Straddle Mount Milligrid Header, [87982](#) Vertical Milligrid Header, [87983](#) Surface Mount Milligrid Header, [87984](#) Right Angle Milligrid Header

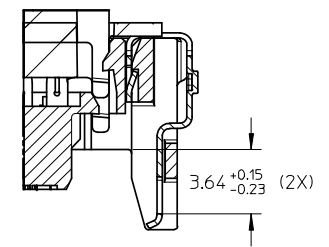
10 9 8 7 6 5 4 3 2 1



ASSEMBLY P/N	CKT SIZE	DIMENSION						
		A	B	C	D	E	F	G
87985-3030	30	44.25	28.00	42.65	40.90	30.55	28.70	22.00
87985-3040	40	54.25	38.00	52.65	50.90	40.55	38.70	32.00
87985-3044	44	58.25	42.00	56.65	54.90	44.55	42.70	36.00
87985-3050	50	64.25	48.00	62.65	60.90	50.55	48.70	42.00

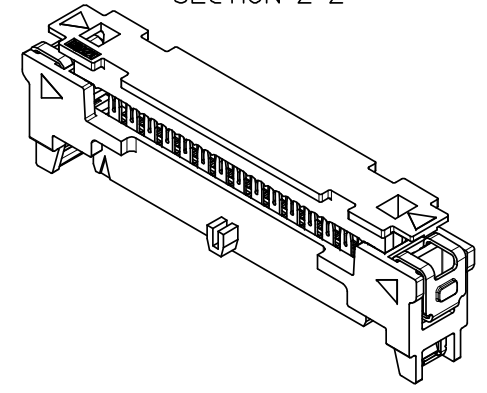
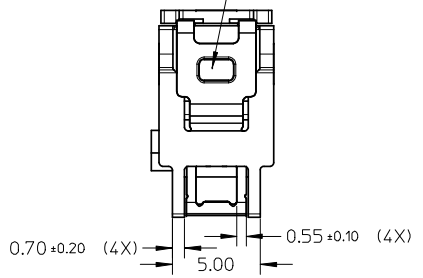


UPPER HOUSING IN OPEN POSITION



SECTION Z-Z

EMBOSSED METAL LATCH(2X)



- NOTES:
- MATERIAL :
HOUSING : PBT, GLASS FILLED, UL94V-0, COLOR: GRAY, PANTONE CODE: COOL GRAY 8C (CLOSEST MATCH)
UPPER HOUSING: PA66, GLASS FILLED, UL94V-0, COLOR: GRAY, PANTONE CODE: COOL GRAY 8C (CLOSEST MATCH)
TERMINAL : COPPER ALLOY.
 - PLATING:
0.38µM GOLD IN CONTACT AREA AND 1.88µM TIN IN IDT AREA OVER 1.25µM NICKEL OVERALL
 - FOR ILLUSTRATION PURPOSES, 30 CIRCUIT SIZE WAFER IS SHOWN.
 - THIS IS A LEAD FREE PRODUCT.
 - BLUE COLOR PRINT, PANTONE CODE 300C
 - PRODUCT SPECIFICATION : PS-87985-026
 - PRODUCTS ARE PACKED IN TRAY.
 - PRODUCTS ARE MATED WITH 87981, 87982, 87983, 87984 SERIES.
 - LATCHES ARE NOT TO BE DEPRESSED DURING MATING.

REMOVE SERIES NO. EC NO: S2008-0476 DRWN: JIAN02 CHKD: BOKOK APPR: KCLING	2007/12/11 2007/12/11 2007/12/13	DESCRIPTION MGRID, 2.00 IDT RECEPT. W/EMBOSSED METAL LATCH	QUALITY SYMBOLS		GENERAL TOLERANCES (UNLESS SPECIFIED)		DIMENSION STYLE		SCALE	DESIGN UNITS	THIRD ANGLE PROJECTION		
			▽=0 ◻=0		mm INCH		MM ONLY		NTS	METRIC			
			4 PLACES	± ---	± ---	DRAWN BY	DATE	TITLE					
			3 PLACES	± ---	± ---	YLQIAO	2005/07/01	MGRID, 2.00 IDT RECEPT. W/EMBOSSED METAL LATCH					
2 PLACES	± 0.2	± ---	CHECKED BY	DATE	MATERIAL NO.								
1 PLACE	± ---	± ---	BOKOK	2005/07/13	SEE TABLE								
ANGULAR ± 3 °			APPROVED BY	DATE	DOCUMENT NO.								
DRAFT WHERE APPLICABLE MUST REMAIN WITHIN DIMENSIONS			PTLIM	2005/07/13	SD-87985-014								
			SIZE		SHEET NO.								
			A3		1 OF 1								
			THIS DRAWING CONTAINS INFORMATION THAT IS PROPRIETARY TO MOLEX INCORPORATED AND SHOULD NOT BE USED WITHOUT WRITTEN PERMISSION										

9 8 7 6 5 4 3 2 1