



# Flyback Transformer

for ON Semiconductor  
NCP1030

This flyback transformer was developed specifically for ON Semiconductor's isolated 2 W Bias Supply using the NCP1030, and is specified in Application Note AND8119/D. It is ideal for 48 V telecom and 42 V automotive applications.

It features interleaved primary and secondary windings to

minimize leakage inductance. It is designed for 35–76 V input. Isolation is 500 Vrms between the primary and secondary windings and between windings and the core.

To request free evaluation samples, contact Coilcraft or visit [www.coilcraft.com](http://www.coilcraft.com).

Part number <sup>1</sup>	Inductance at 0 Adc <sup>2</sup> ±10% (µH)	Inductance at Ipk <sup>3</sup> min (µH)	DCR max (Ohms)	Leakage Inductance <sup>4</sup> max (µH)	Turns ratio		Ipk <sup>3</sup> (mA)
					pri : sec (7-8)	pri : sec (5-6)	
B0226-EL_	120	102	0.655 (pins 1–4) 0.820 (pins 2–3) 0.248 (pins 7–8) 0.248 (pins 5–6)	0.95	1 : 0.36	1 : 0.36	400

1. When ordering, specify a **packaging** code:

**B0226-EL D**

**Packaging:** D = 13" machine ready reel. EIA-481 embossed plastic tape (600 per full reel).

B = Less than full reel. In tape, but not machine ready. To have a leader and trailer added (\$25 charge), use code letter D instead.

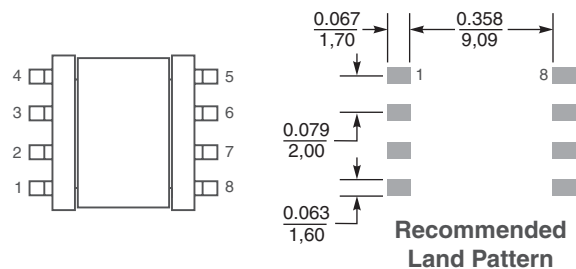
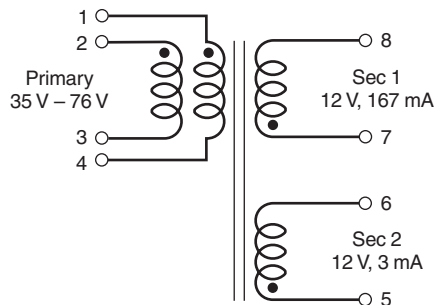
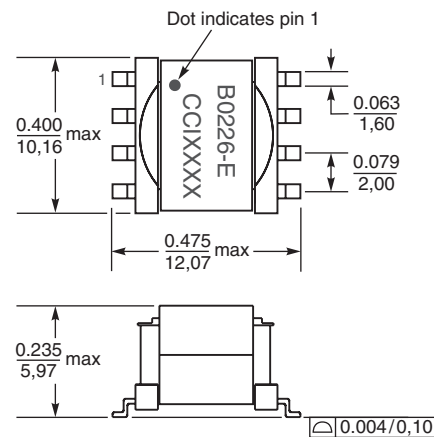
2. Inductance is for the primary, measured at 275 kHz, 0.5 Vrms.

3. Peak primary current drawn at minimum input voltage.

4. Leakage inductance is for the primary winding with the secondary windings shorted.

5. Operating temperature range -40°C to +85°C.

6. Electrical specifications at 25°C.



**Weight:** 0.96 g

**Terminations:** Tin-silver over nickel over tin over phos bronze

**Tape and reel:** 600/13" reel 24 mm tape width

For packaging data see Tape and Reel Specifications section.

**Coilcraft**<sup>®</sup>

Specifications subject to change without notice.  
Please check our website for latest information.

Document 348 Revised 04/16/09

1102 Silver Lake Road Cary, Illinois 60013 Phone 847/639-6400 Fax 847/639-1469

E-mail [info@coilcraft.com](mailto:info@coilcraft.com) Web <http://www.coilcraft.com>