

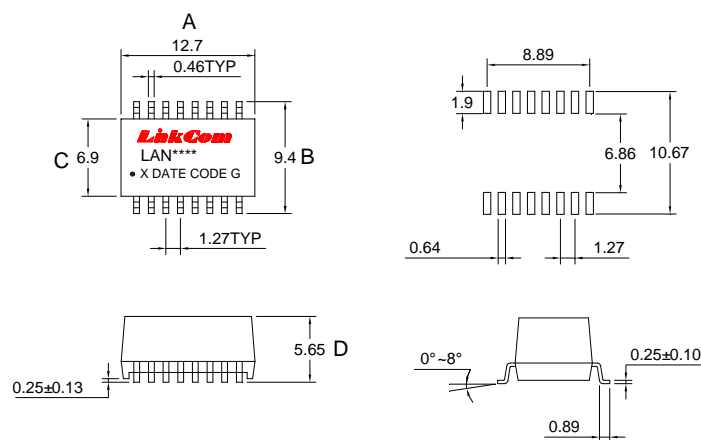
## 10/100BASE-Tx Magnetics Module

- Meets IEEE 802.3 standard
- RoHS Compliant
- Single port configuration
- Design for 100base-Tx transmission over UTP-5 cable
- Operating Temperature: 0°C~70°C

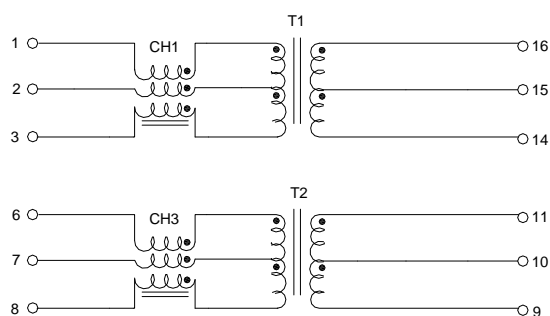
### Electrical Specification @25°C

OCL:	350uH Min. @100KHz/0.1V with 8mA DC Bias		
Hi-POT :	1500Vrms.		
Turn Ratio:	1CT:1CT±2%		
D.C.R:	1.5 ohm Max.		
Insertion Loss:	-1.1dB Max. @1-100MHz		
Return Loss:	1-30MHz	40-50MHz	60-80MHz
	-16dB Min.	-13dB Min.	-10dB Min
D.C.M.R :	30MHz	60MHz	100MHz
	-43dB Min.	-37dB Min.	-33dB Min.
Cross Talk :	30MHz	60MHz	100MHz
	-45dB Min.	-40dB Min.	-33dB Min.

## Dimensions



## Schematic



## Mark

1. LAN\*\*\*\*---LAN1059
2. X---PRODUCT LINE
3. DATE CODE---YYWW
4. G---RoHS

Units: mm

Unless otherwise specified, all tolerances are ±0.25