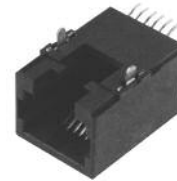
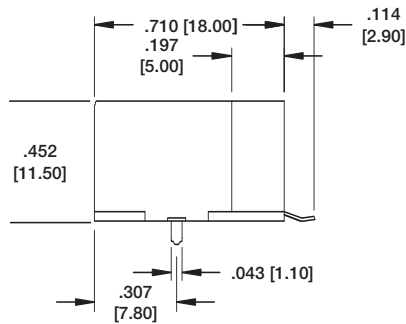
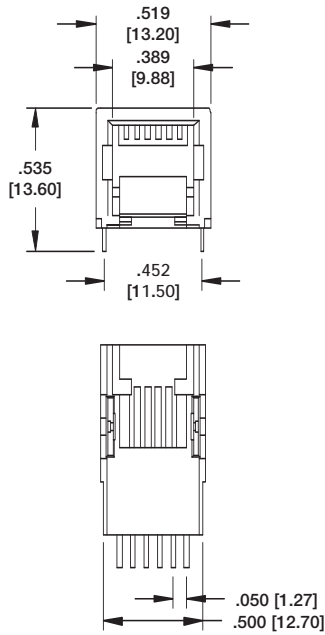
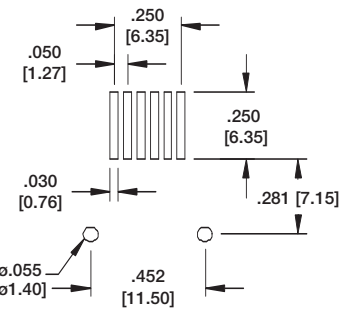


Ordering Information pg. 9

TYPE Y
6P6C
6P4C

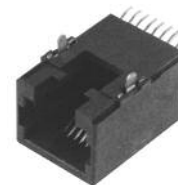
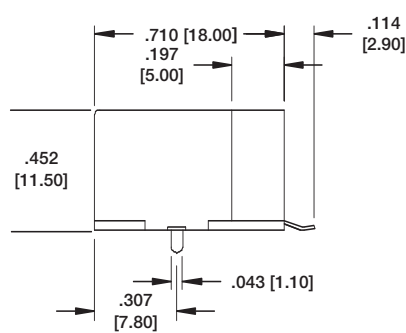
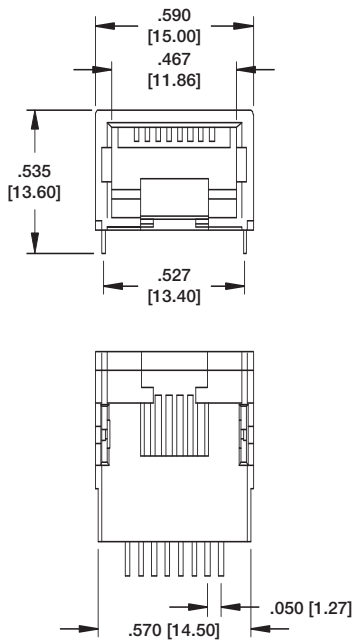


MTJ-66YX1

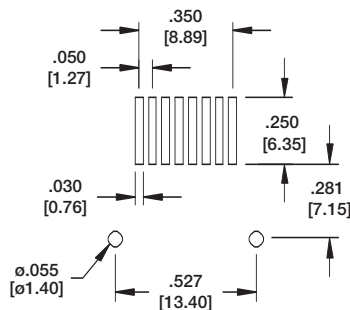


Recommended PCB Layout

TYPE Y
8P8C



MTJ-88YX1



Recommended PCB Layout