

FEATURES

- 2X1 RJ45 with internal magnetics
- Suitable for CAT 5 & 6 Fast Ethernet Cable or better UTP
- Internal magnetics are 100% electrically tested for HI-POT and Functionality
- 350 μ H minimum OCL with 8 mA bias current

ELECTRICAL SPECIFICATIONS @25°C-Operating temperature 0°C TO 70°C									
Part Number	Turns Ratio		Insertion Loss (dB MAX)		Return Loss (dB MIN) 100 Ω ±15 Ω		Crosstalk (dB MIN)	Common Mode Rejection (dB TYP)	Hipot (Vrms)
	TX	RX	1-80 MHz	100 MHz	1-60 MHz	60-100 MHz	1-100 MHz	1-100 MHz	@60Hz 1MIN
RJ7-1201ND2	1CT:1CT	1CT:1CT	-1.0	-1.2	-16	-12	-35	-30	1500
RJ7-1202ND2	1CT:1CT	1CT:1CT	-1.0	-1.2	-14	-10	-35	-30	1500
RJ7-1203ND2	1CT:1CT	1CT:1CT	-1.0	-1.2	-14	-10	-35	-30	1500
RJ7-1204ND2	1CT:1CT	1CT:1CT	-1.0	-1.2	-14	-10	-35	-30	1500

PART NUMBER: RJ7 - 12XX GYD NW 2
 A B C D E

A: SERIES

B: SCHEMATICS

C: LED

D: MECHANICAL

E: GOLD PLATING(1=3u, 2=6u, 3=15u, 4=30u, 5=50u)

Mechanicals

Housing Material:

MATERIAL:NYLON GF UL94V-0 STANDARD COLOR:BLACK

Insert Material:

MATERIAL: CONT---0.35mm THICKNESS

PHOS---BRONZE.C5210

INSERT---PBT GF UL94V-0

1.PLATING: NICKEL

2.PLATING: 100%Sn

3.PLATING: GOLD

4.PLATING:AU 6u "

Contact pin Material:

1.NYLON GF UL94V-0

2.0.30mm THICKNESS PHOS-BRONZE C5191

3.PLATING 100%SN

Shielding Material:

1.BRASS C2680H---0.20mm THICKNESS PLATING NICKEL

2.PLATING NICKEL

Operating Life:750 Cycles MIN.0

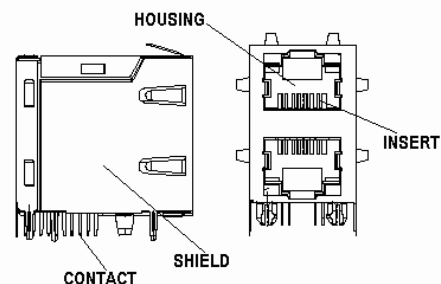
Environmental

1.Storage Temp:-40°C TO +85°C.

2.Operating Temp: 0°C TO +70°C.

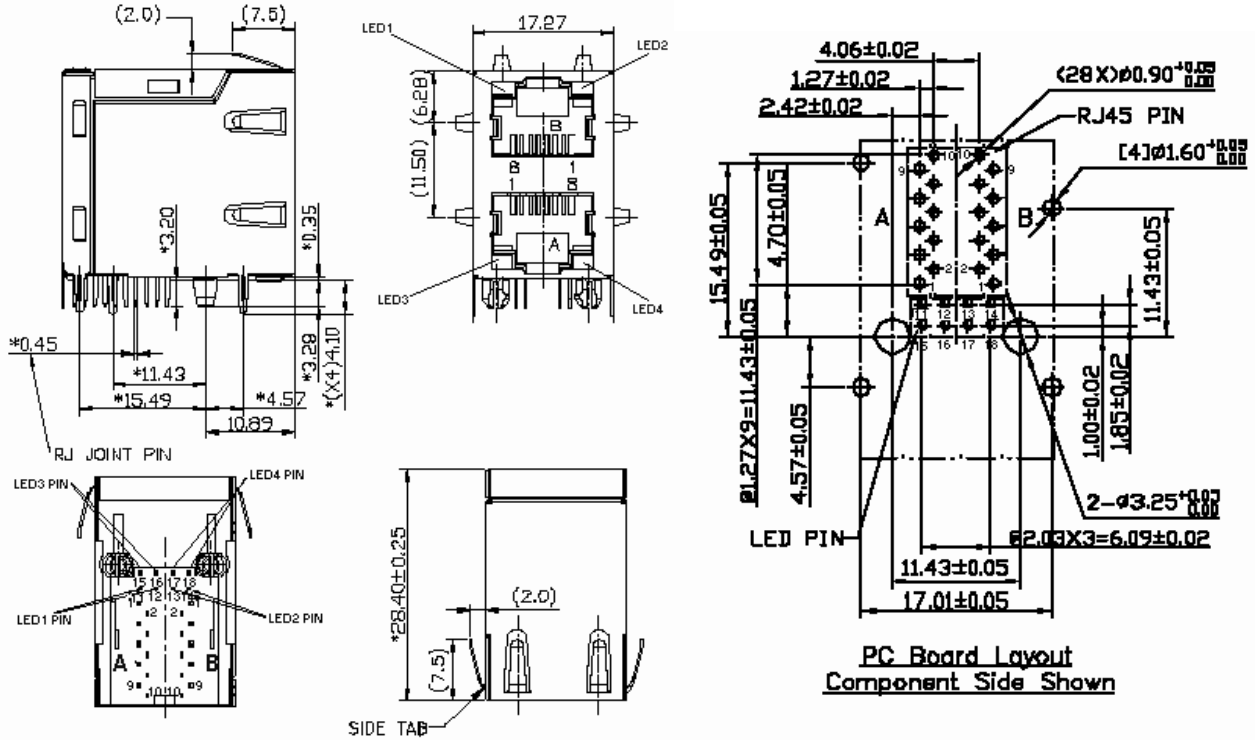
3.Wave Soldering Temperature:230 ~ 250°C(3 ~ 5 SECONDS)

4. MATES WITH MODULAR PLUG CONFORMING TO FCC PART 68,SUBPART F.

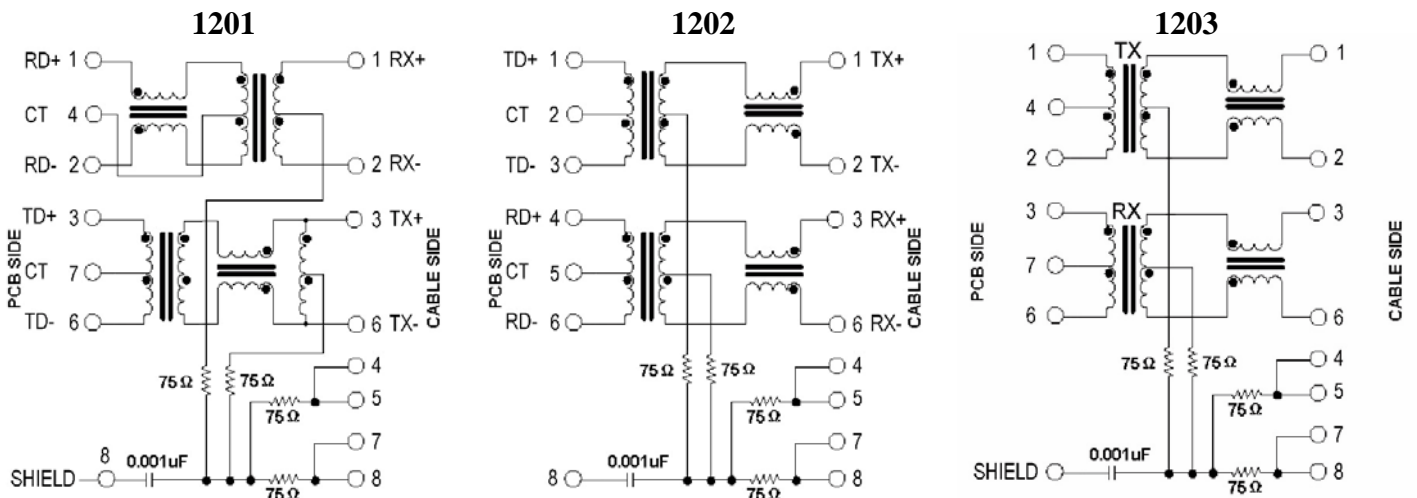


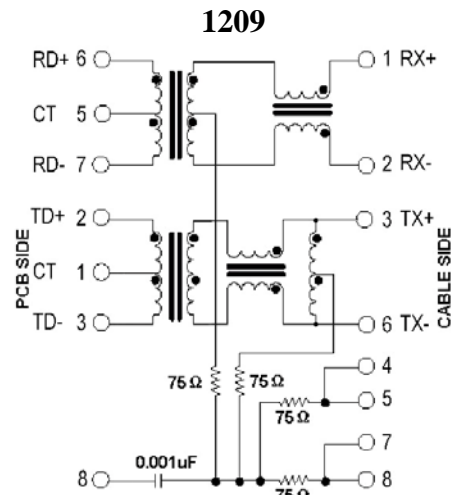
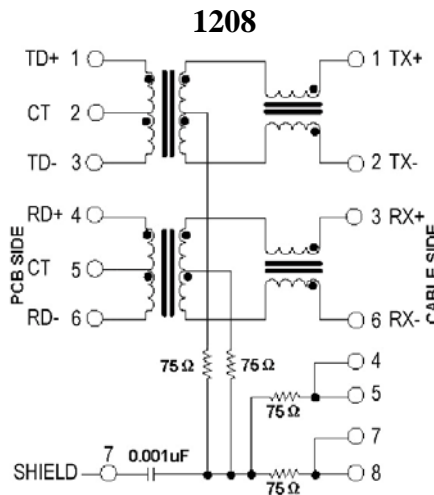
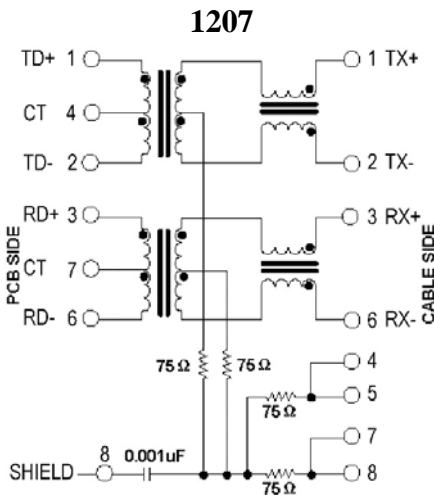
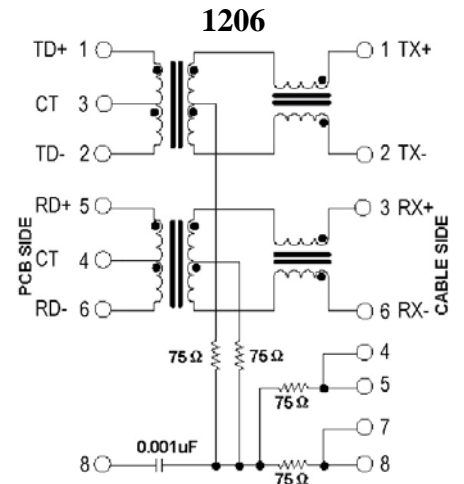
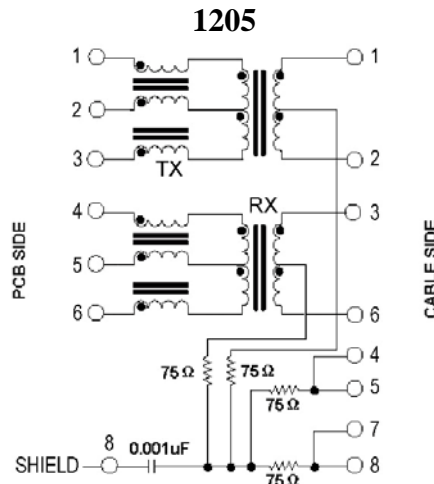
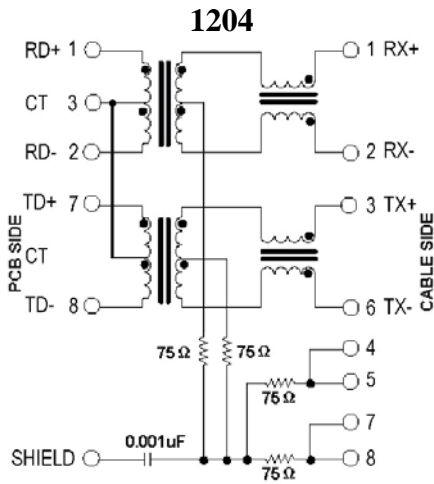
Mechanicals and Dimensions

10/100/1000 Base-TX

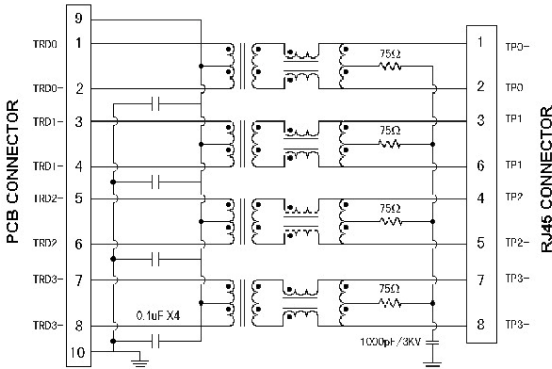


Schematics

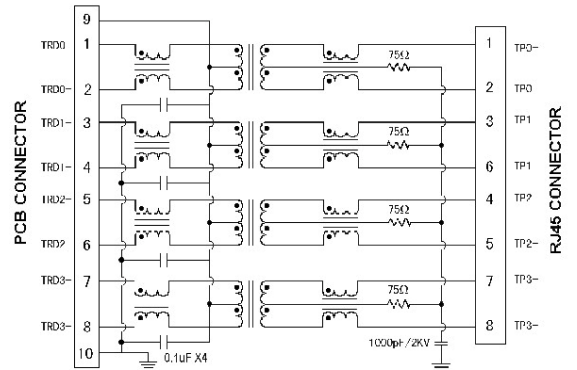




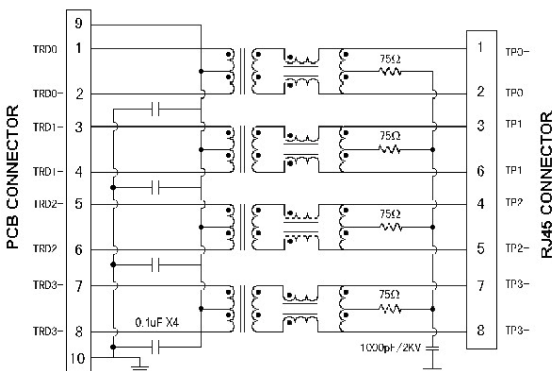
1301



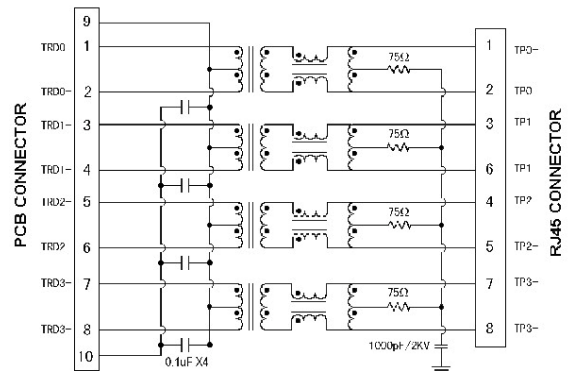
1302



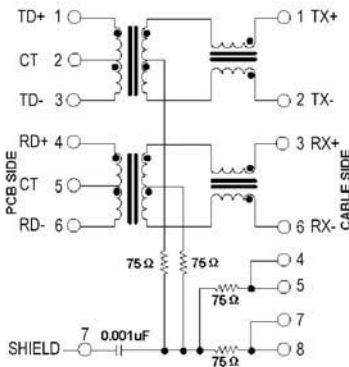
1303



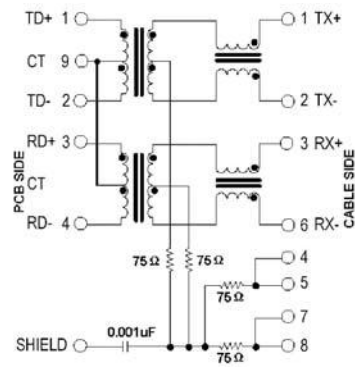
1304



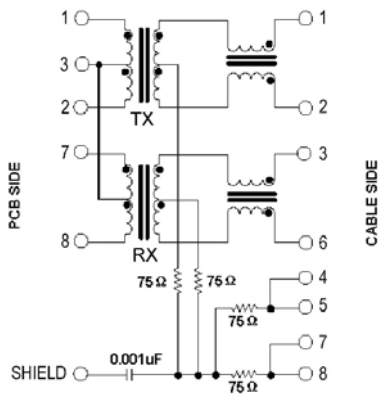
1305



1306



1307



1308

