

**PLEASE CHECK WWW.MOLEX.COM FOR LATEST PART INFORMATION**

**Part Number:** [0191640141](#)  
**Status:** **Active**  
**Description:** Perma-Seal™ Hook Tongue Terminal for 14-16 AWG Wire, Stud Size 6

**Documents:**

[Drawing \(PDF\)](#) [RoHS Certificate of Compliance \(PDF\)](#)

**Agency Certification**

CSA LR18689  
 UL E32244

**General**

Product Family Ring and Spade Terminals  
 Series [19164](#)  
 Crimp Quality Equipment Yes  
 Mil-Spec N/A  
 Product Name Perma-Seal™  
 Type Hook

**Physical**

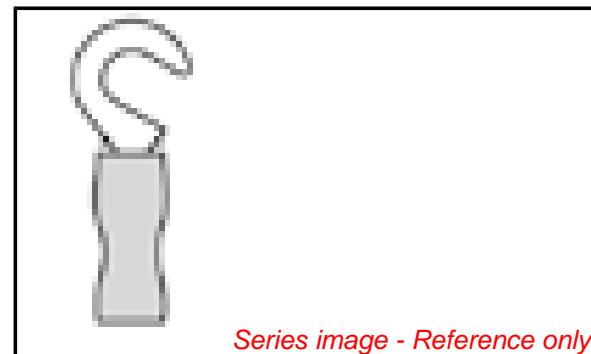
Barrel Type Closed  
 Flammability 94V-2  
 Insulation NiAc™  
 Material - Plating Mating Tin  
 Packaging Type Bag  
 Plating min: Mating (µin) 100  
 Plating min: Mating (µm) 2.5  
 Plating min: Termination (µin) 100  
 Plating min: Termination (µm) 2.5  
 Stud Size 6 (M3.5)  
 Wire Insulation Diameter 5.97mm (.235")  
 Wire Size AWG 14, 16  
 Wire Size mm² 1.23 - 1.94

**Material Info**

Old Part Number SB-219-06

**Reference - Drawing Numbers**

Sales Drawing SD-19164-002



**EU RoHS**

**ELV and RoHS Compliant**  
**REACH SVHC Contains SVHC: No**  
**Halogen-Free Status**  
**Not Reviewed**

**China RoHS**



**Need more information on product environmental compliance?**

Email [productcompliance@molex.com](mailto:productcompliance@molex.com)  
 For a multiple part number RoHS Certificate of Compliance, [click here](#)

Please visit the [Contact Us](#) section for any non-product compliance questions.

**Search Parts in this Series**

[19164Series](#)

**Application Tooling | [FAQ](#)**

*Tooling specifications and manuals are found by selecting the products below. Crimp Height Specifications are then contained in the Application Tooling Specification document.*

**Global**

Description	Product #
Power Crimp Tool Head for Prema-Seal™ Terminals 10-22 AWG	<a href="#">0640057400</a>
Hand Crimp Tool, UL Approved	<a href="#">0640017400</a>

6

5

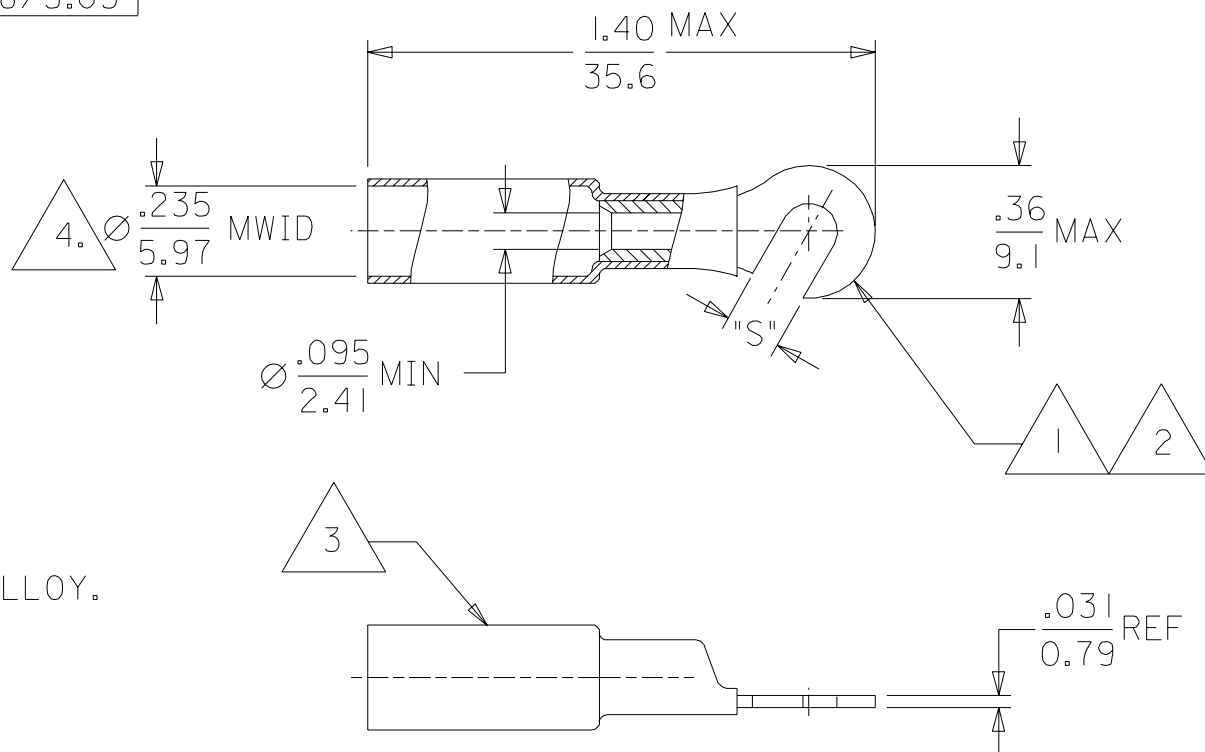
4

3

2

SD-19164-002

MATERIAL NO.	ENGINEERING NO.	"S" REF
191640141	SB-219-06	.146/3.71
191640142	SB-219-08	.173/4.39
191640021	SB-219-10	.198/5.03



## NOTES:

1. TERMINAL MATERIAL: COPPER ALLOY.
2. FINISH: ELECTRO TIN PLATE.
3. INSULATOR MATERIAL: HEAT SHRINKABLE TUBING WITH HOTMELT ADHESIVE INNER LINER. COLOR: BLUE
4. MWID = MAXIMUM WIRE INSULATION DIAMETER.

## CUSTOMER DRAWING

NEW RELEASE		EC NO. ETC2003-0071		DRWN: BRE 02/11/16		CHK: HEB 02/11/16		APPR: RWD 02/11/16		QUALITY SYMBOLS		GENERAL TOLERANCES: (UNLESS SPECIFIED)		SCALE 2:1		DESIGN UNITS		DIMENSIONS:		SHT		REV	
MAJOR		=0		CRITICAL		=0				mm		INCH		DRAWN BY & DATE		BRE 02/09/05		THIRD ANGLE PROJECTION		mm		INCH	
4 PLACES		±0.		±.		CHECKED BY & DATE		HEB 02/09/05		3 PLACES		±0.		±.005		APPROVED BY & DATE		RWD 02/09/05		mm		mm ONLY	
2 PLACES		±0.13		±.01		CAD FILENAME		19164002		1 PLACE		±0.25		±.		MATERIAL NO.		DRAWING NO.		SHEET NO.		REVISE ON CAD ONLY	
ANGULAR: ±1/2°		DRAFT WHERE APPLICABLE MUST REMAIN WITHIN DIMENSIONS		THIS DRAWING CONTAINS INFORMATION THAT IS PROPRIETARY TO MOLEX INCORPORATED AND SHOULD NOT BE USED WITHOUT WRITTEN PERMISSION.		MATERIAL NO.		SEE CHART		DRAWING NO.		SD-19164-002		SHEET NO.		1 OF 1		SIZE		A			
TITLE: HOOK TONGUE TERMINAL PERMA-SEAL 16-14 AWG		MOLEX INCORPORATED																					